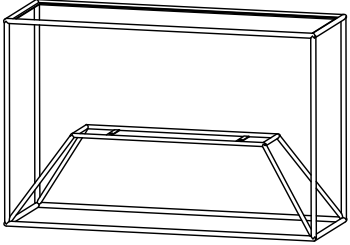
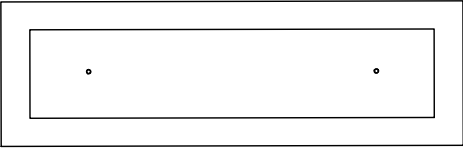
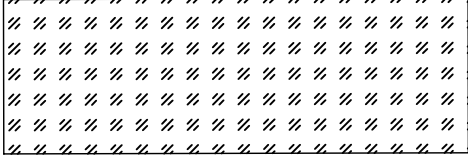

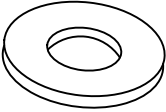
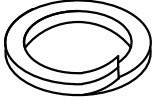
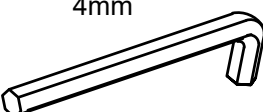


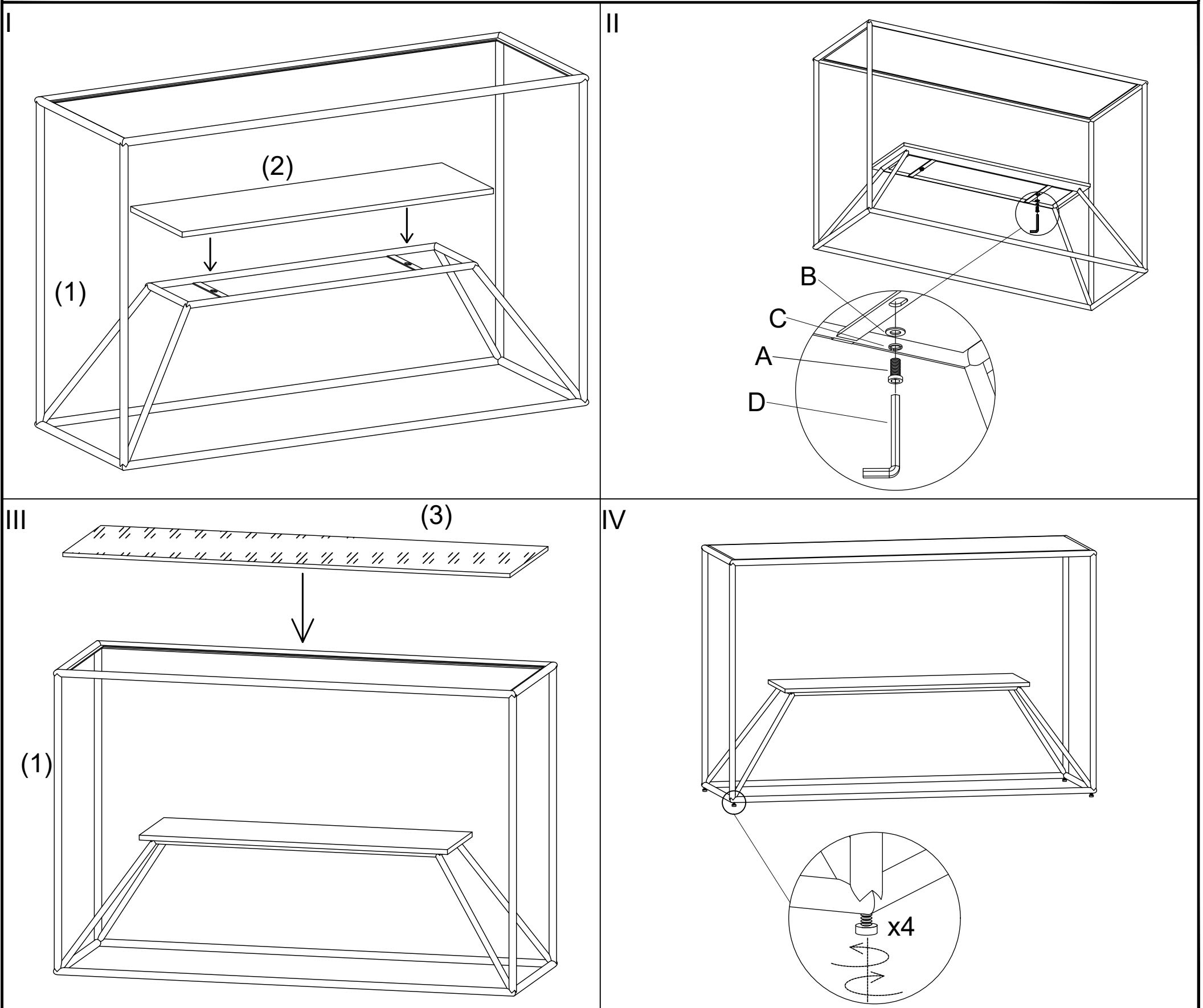
**ITEM NAME/NOM D'ITEM: RANOL CONSOLE TABLE**

**ITEM #/NO. ITEM: 110600**

**PARTS LIST/LISTE DES PIÈCES**

<p>(1)</p>  <p>x1</p>	<p>(2)</p>  <p>x1</p>	<p>(3)</p>  <p>x1</p>	
<p>(3)</p> <p>A.</p>  <p>11/16" x 7/32" x2</p>	<p>B.</p>  <p>7/32" x2</p>	<p>C.</p>  <p>7/32" x2</p>	<p>D.</p>  <p>4mm x1</p>

**ASSEMBLY INSTRUCTIONS/INSTRUCTIONS D'ASSEMBLAGE**

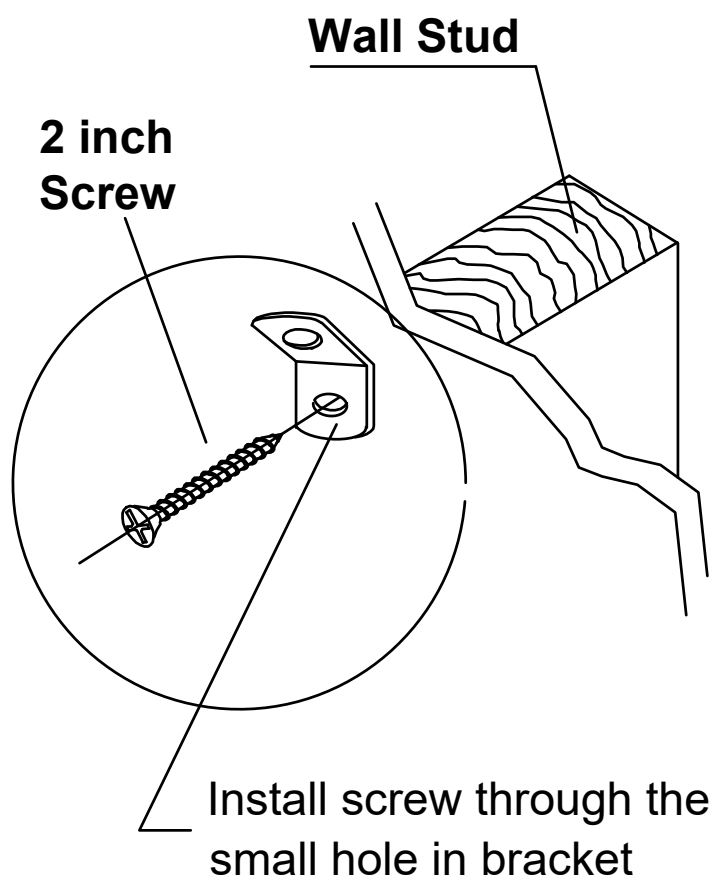


**ITEM NAME/NOM D'ITEM: RANOL CONSOLE TABLE**

**ITEM #/NO. ITEM: 110600**

To install the furniture tipping restraint:

1. Determine the approximate location where the console table will be placed. Locate a wall stud.
2. Attach one of the 'L' brackets to the wall stud using 2" screw through the small hole in the 'L' bracket.
3. Position the console table then install the strap around the leg of console table and through the 'L' bracket as shown.



Install the strap through the 'L' bracket and around the leg of console table

