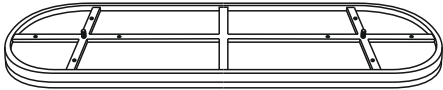
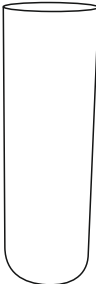
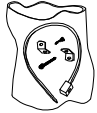


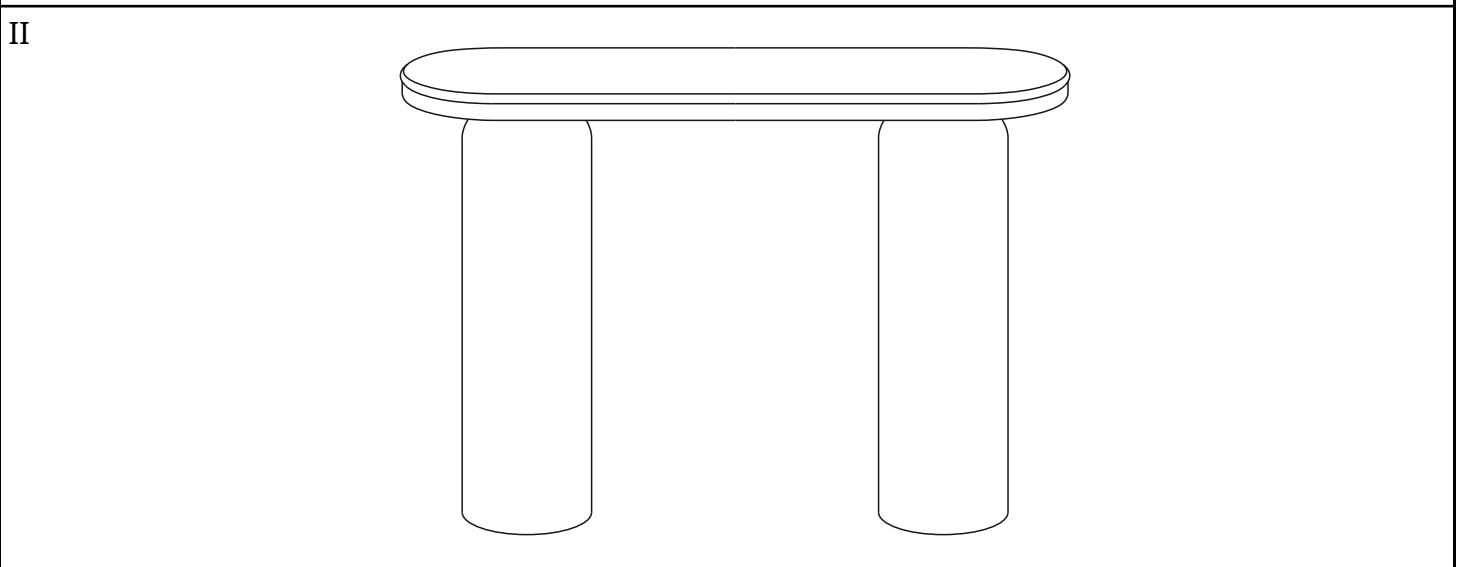
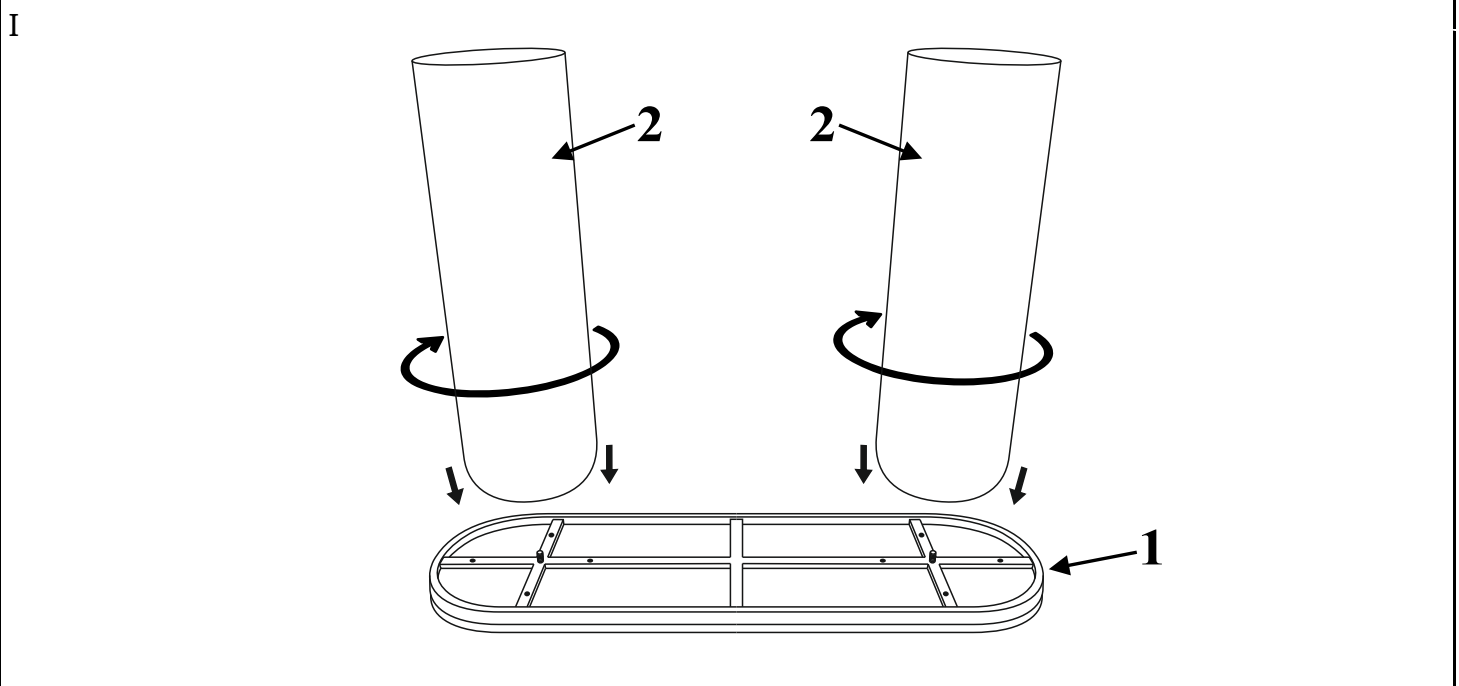
**ITEM NAME/NOM D'ITEM: LUXOR CONSOLE TABLE**

**ITEM # /NO. ITEM: 109761**

**PARTS LIST/LISTE DES PIÈCES**

<p>(1)</p>  <p>x1</p>	<p>(2)</p>  <p>x2</p>	<p>(3)</p> <p>A.</p>  <p>Furniture Tipping Restraint</p> <p>x1</p>
--	--	---

**ASSEMBLY INSTRUCTIONS/INSTRUCTIONS D'ASSEMBLAGE**



For missing parts or damaged parts, please call /

Pour pièce manquante ou endommagée, veuillez appeler:

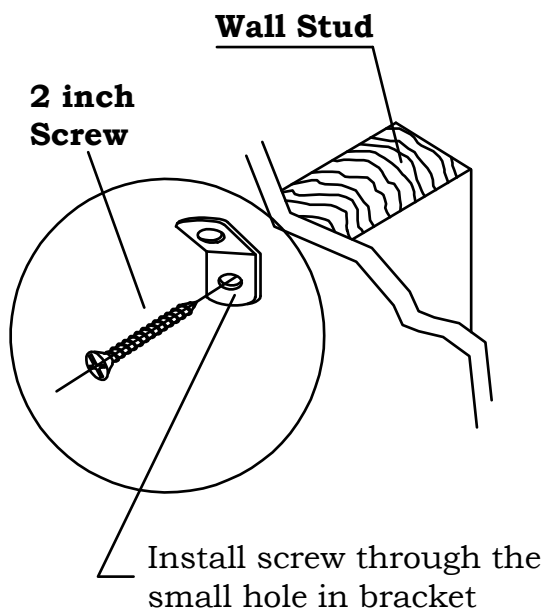
USA, Canada and Mexico: (866)-798-6663

**ITEM NAME/NOM D'ITEM: LUXOR CONSOLE TABLE**

**ITEM # /NO. ITEM: 109761**

To install the furniture tipping restraint:

1. Determine the approximate location where the console table will be placed. Locate a wall stud.
2. Attach one of the 'L' brackets to the wall stud using 2" screw through the small hole in the 'L' bracket.
3. Position the console table then install the strap around the back of console table and through the 'L' bracket as shown.



Install the strap through the 'L' bracket and around the back of console table

