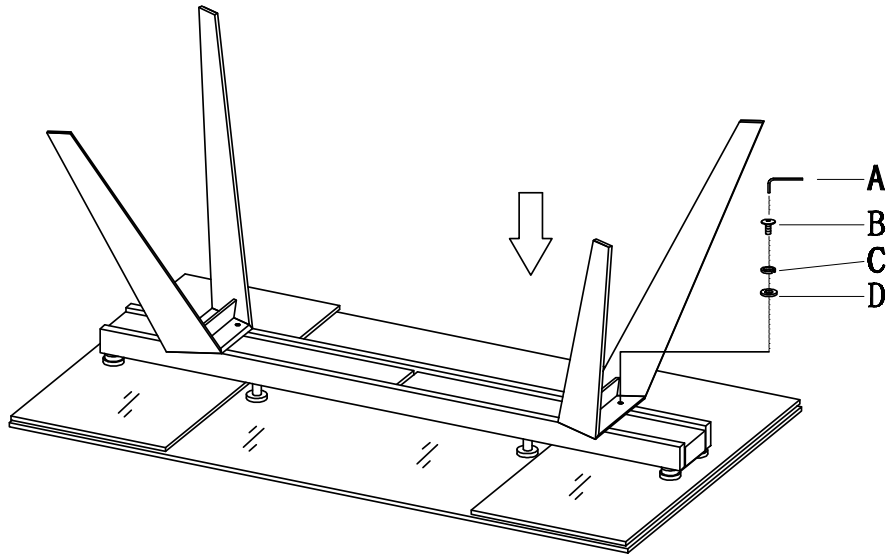
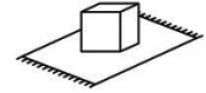
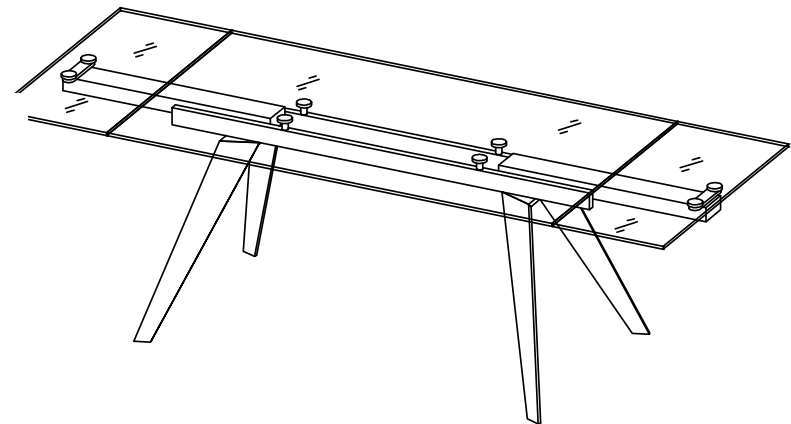




**GENERAL NOTE: CAREFULLY REMOVE ALL WRAPPING MATERIALS AND ENSURE ALL PARTS ARE ACCOUNTED FOR. ASSEMBLE ON A CLEAN FLAT SURFACE TO AVOID SCRATCHES. DO NOT DISCARD THE PACKAGING UNTIL ITEM IS FULLY ASSEMBLED.**



**FINISHED**



D	Ø8		8
C	Ø8		8
B	M8x20		8
A	5mm		1
NO.	SIZE	DIAGRAM	QTY