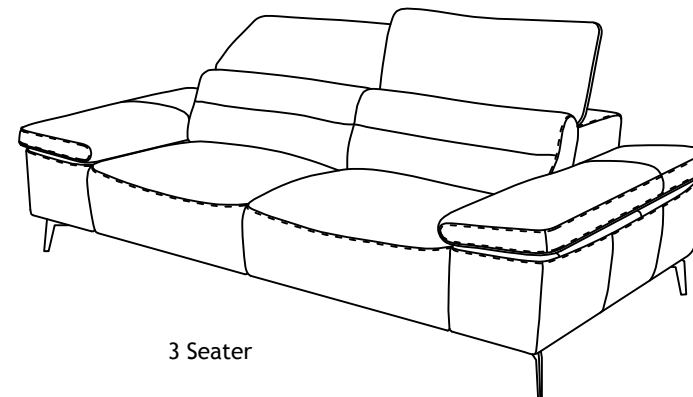
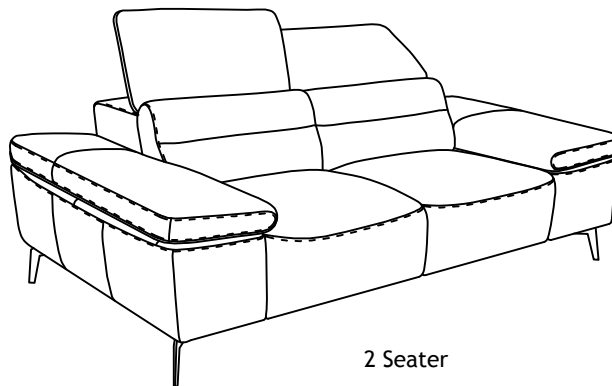
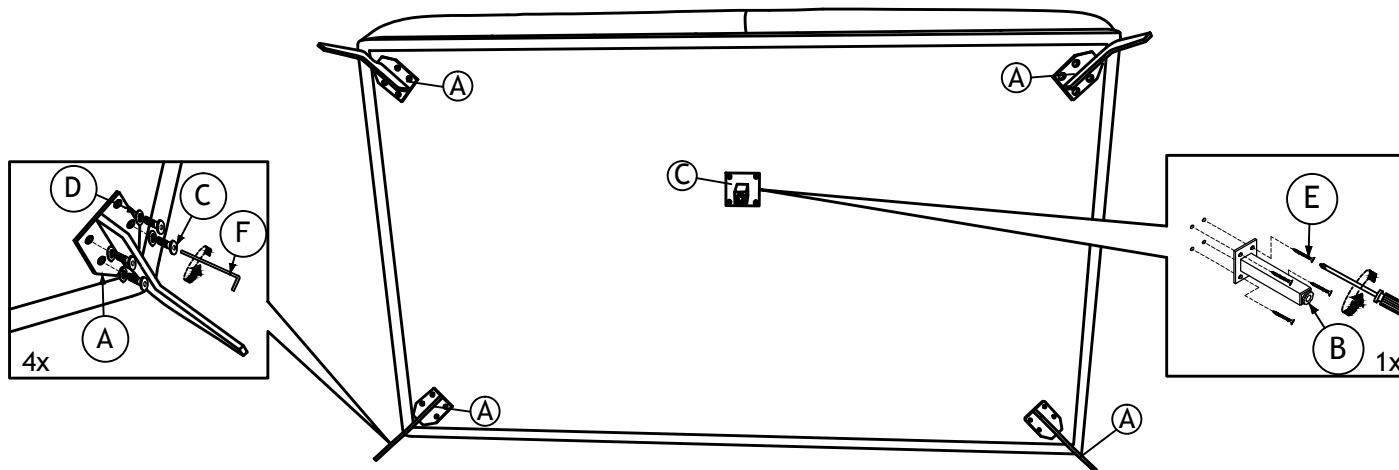


Read this instruction carefully. Refer hardware and furniture parts list for guidance. Be sure all parts are complete before assembling. Place all furniture part on a clean and flat soft surface to prevent scratches. Refer steps provided as assembling guide.

HARDWARE LIST					
NO	DESCRIPTION		QTY 2 Seater	QTY 3 Seater	Total
A	Metal Leg - A		4 Pcs	4 Pcs	8 Pcs
B	Metal Leg - B		1 Pc	1 Pc	2 Pcs
C	JCBC Screw M6 x 25mm		16 Pcs	16 Pcs	32 Pcs
D	Flat Washer 1/4"		16 Pcs	16 Pcs	32 Pcs
E	CSK Screw M4 x 25mm		4 Pcs	4 Pcs	8 Pcs
F	M4 Allen Key With Ball		1 Pc	-	1 Pc



(Step 1)  
(2 & 3 Seater)



\*GENERAL NOTE : ALWAYS PLACE OBJECTS ON A SMOOTH SURFACE TO AVOID SCRATCHES.

