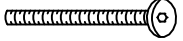







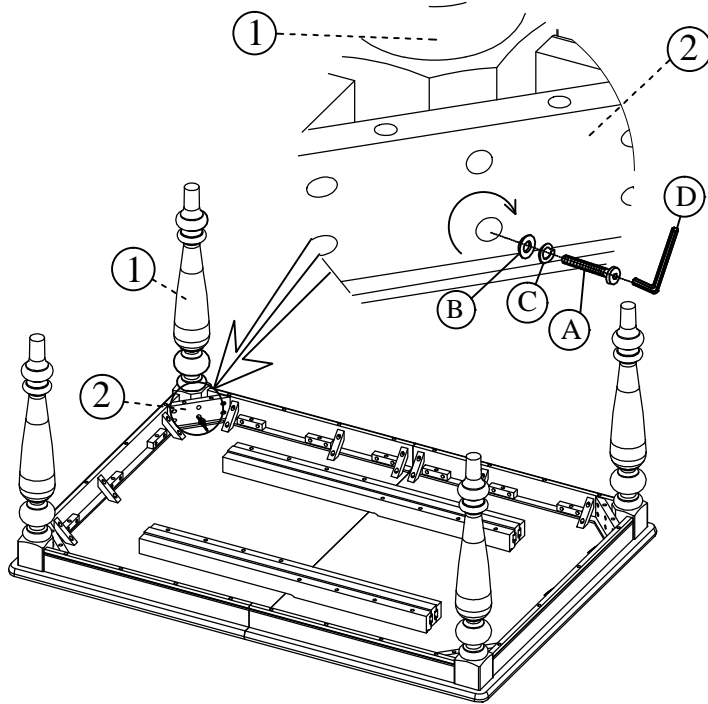
H O M E E L E G A N C E

ASSEMBLY INSTRUCTION

Dining Table
ITEM NO. 5056-78

NO	HARDWARE LIST		QTY
A		Bolt 5/16 x 60 mm	8 pcs
B		Flat Washer	8 pcs
C		Lock Washer	8 pcs
D		ALLEN WRENCH	1 pc

PARTS LIST		
No	Description	Qty
1	Table Leg	4 pcs
2	Table Top	1 pc
3	Table Leaf	1 pc



Step 1

Step 2

