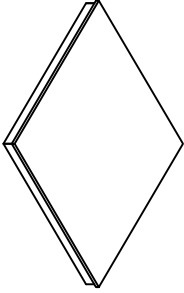
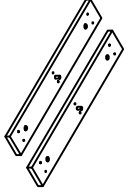
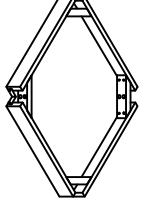
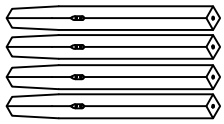




# ASSEMBLY INSTRUCTION

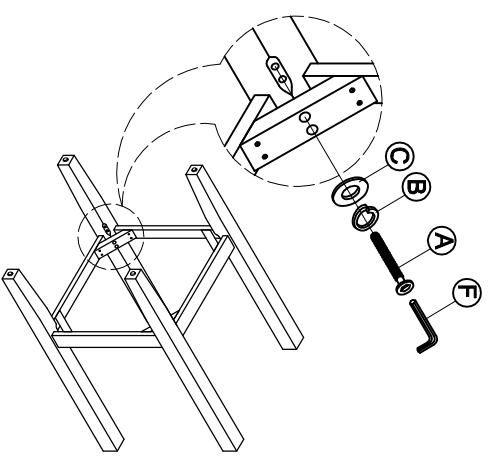
## 5050-36 5PC PACK COUNTER HEIGHT TABLE

**PART LIST:**

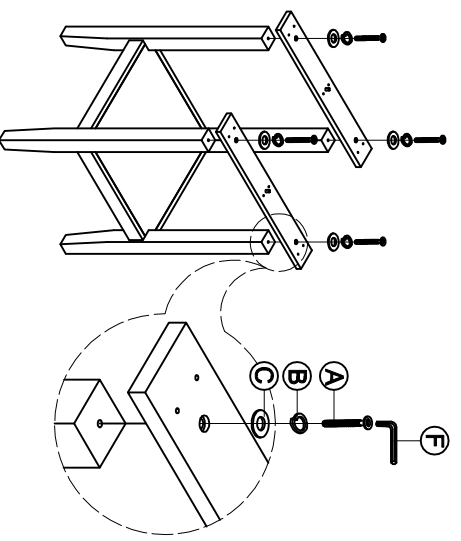
	<b>Table Top</b>		<b>Mounting Board</b>		<b>Bottom Shelf</b>		<b>Table Leg</b>
	1pc		2pcs		1pc		4pcs

HARDWARE LIST							
A		Long Bolt	Ø1/4" x 160mm	12 PCS			
B		Spring Washer	Ø5/16"	12 PCS			
C		Flat Washer	5/16"(Ø19)*2mm	12 PCS			
D		Screw	1/16" x 30 mm	12 PCS			
E		Flat Washer	1/4"(Ø19)*1mm	12 PCS			
F		L-Allen Key	4*59mm	1 PC			

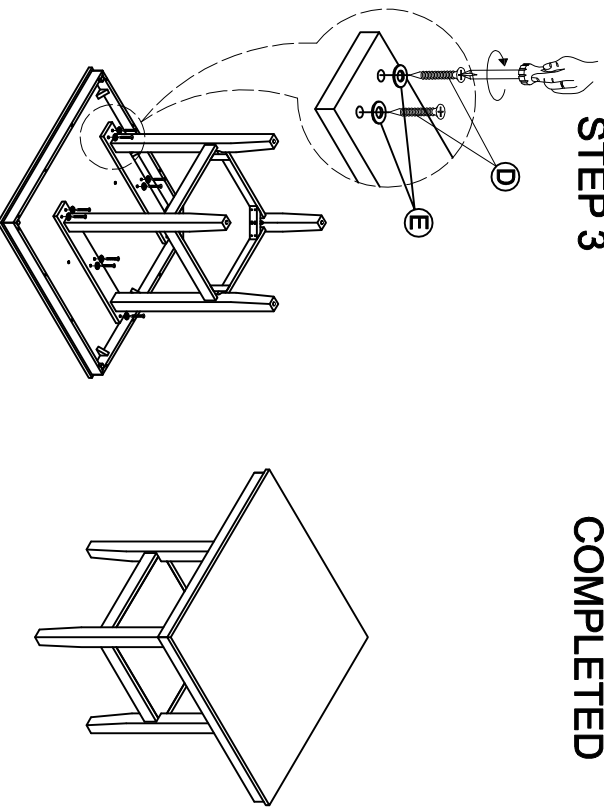
**STEP 1**



**STEP 2**




**STEP 3**



**COMPLETED**

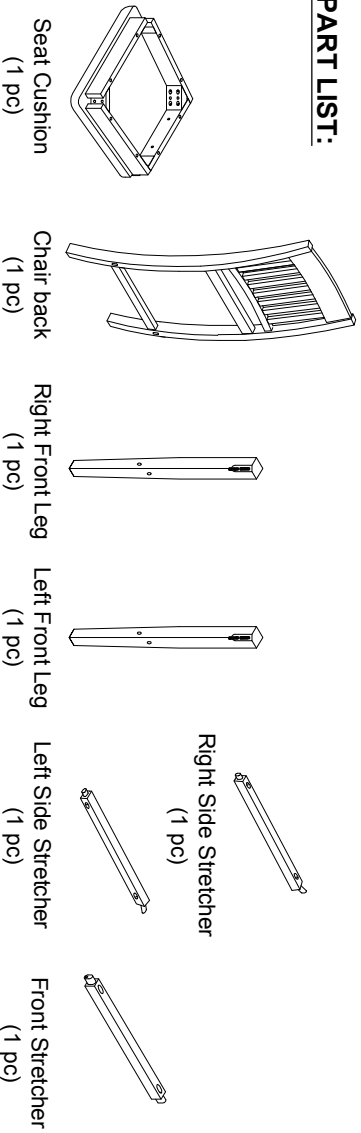
- (1) - Affix each Table Leg to each corner of the Bottom shelf. Insert bolt and washer from Bottom shelf to Table legs and do not tighten until Step 2.
- (2) - Upright the Table legs and Bottom shelf then put Mounting board to top of Table legs. Insert bolt and washer through Mounting board to Table legs then tighten all bolt by using L-Allen key.
- (3) - Flip over the assembled part and attach to the Table top. Insert Screws to Mounting board then tighten to Table top by using screwdriver (Not provide).









 For items use on wooden floor, hard surfaces or carpets, it is recommended to install protective pads under all legs and supports to avoid/prevent from damages/scratches and discoloration.

# ASSEMBLY INSTRUCTION

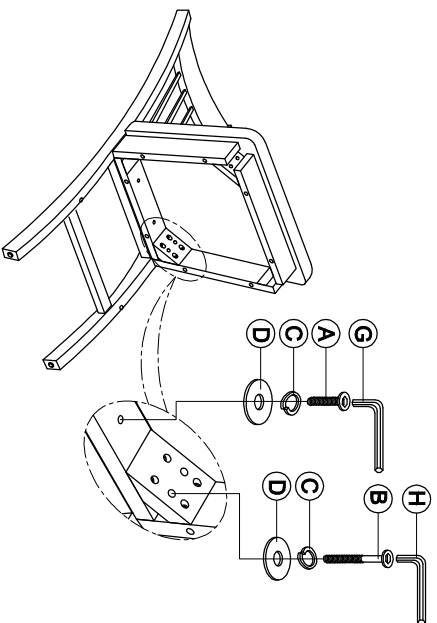
## 5050-36 5 PC PACK COUNTER HEIGHT CHAIR

**PART LIST:**

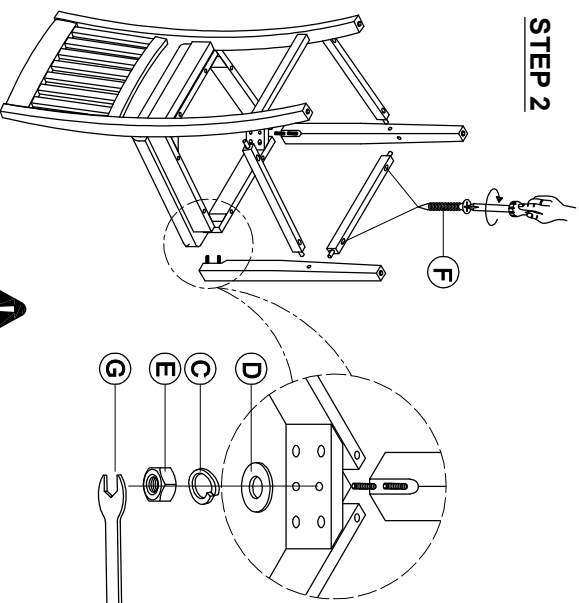


HARDWARE LIST				
A		Short Bolt	Ø1/4" x L40 mm	2 pcs
B		Long Bolt	Ø1/4" x L75 mm	4 pcs
C		Lock Washer	Ø5/16"	10 pcs
D		Flat Washer	Ø5/16" (Ø19) x 2 mm	10 pcs
E		Hex Nut	Ø5/16" x 13 mm	4 pcs
F		Screw	Ø1/8" x 38 mm	6 pcs
G		Wrench	Ø5/16"	1 pc
H		L-Allen Key	4*59 mm	1 pc

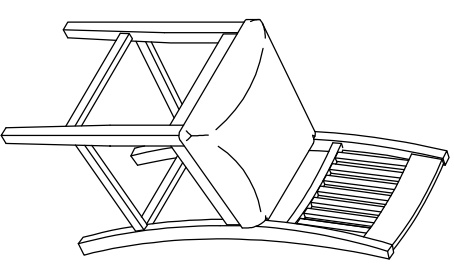
**STEP 1**



**STEP 2**



**COMPLETED**



- (1) Align the seat to the chair back, insert the bolt and washer to pre-drilled holes and tighten it.
- (2) Attach side stretcher to chair back then attach front legs (L & R) to side stretchers (L & R) and seat cushion, insert the nut and washer then tighten front chair to cushion seat. Insert screws to stretcher then tighten by using screwdriver (not provide).



For items use on wooden floor, hard surfaces or carpets, it is recommended to install protective pads under all legs and supports to avoid/prevent from damages/scratches and discoloration.