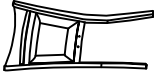












Assembly Instruction

Item 2547S Side Chair

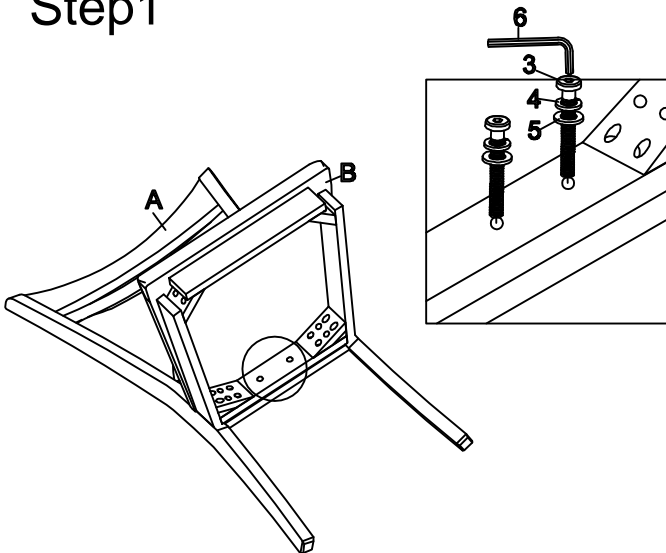
Part list

NO	Description	Drawing	Q'TY
A	CHAIR BACK		2 PCS
B	SEAT CUSHION		2 PCS
C	FRONT LEG		4 PCS

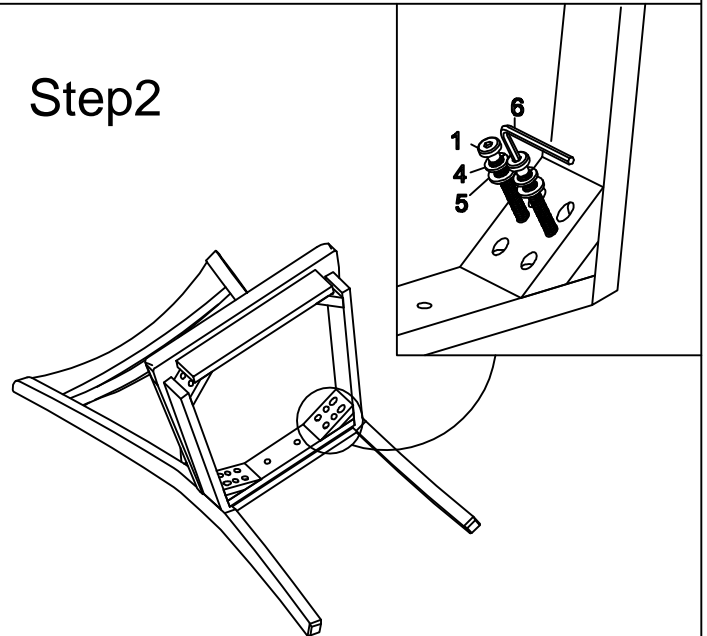
Hardware list

NO	Drawing	Specification	Q'TY
1		1/4**75mm	8 PCS
2		1/4**60mm	8 PCS
3		1/4**35mm	4 PCS
4		1/4**Ø10*2mm	20 PCS
5		1/4**Ø16*2mm	20 PCS
6		ALLEN KEY (4mm)	2 PCS

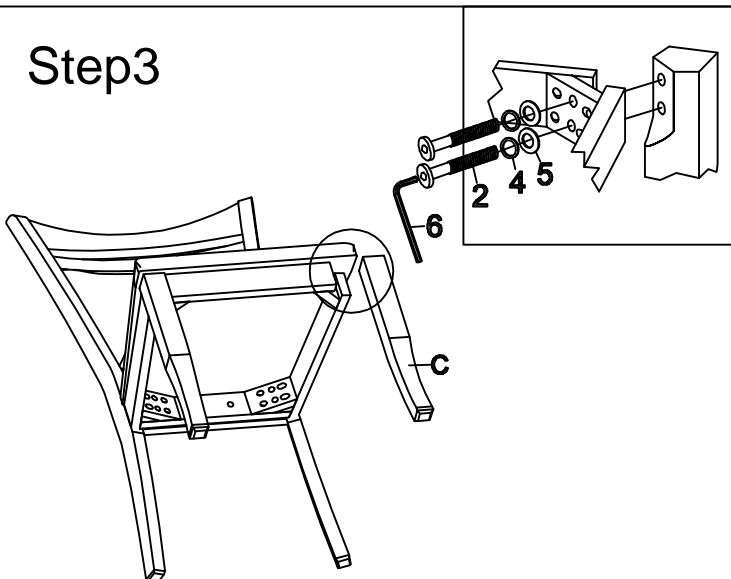
Step1



Step2



Step3



Final

