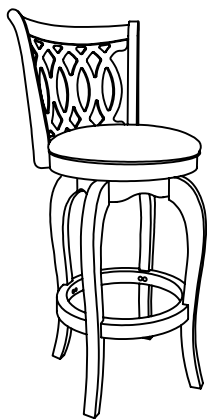


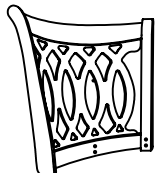
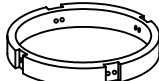



ASSEMBLY INSTRUCTION










ITEM : 1133 -24S / 29S
Swivel Pub Stool

IMPORTANT NOTE :

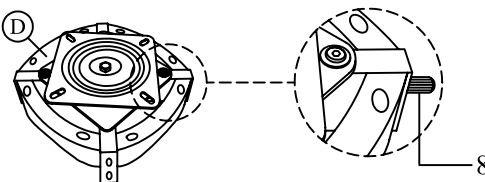
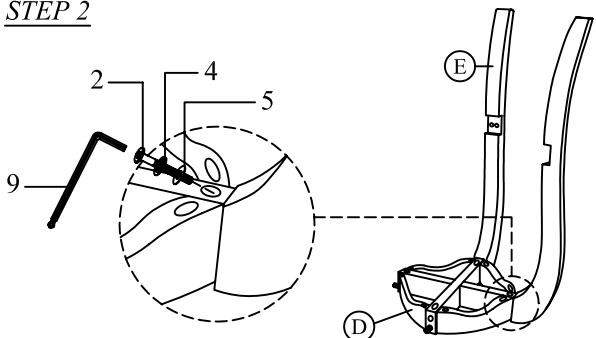
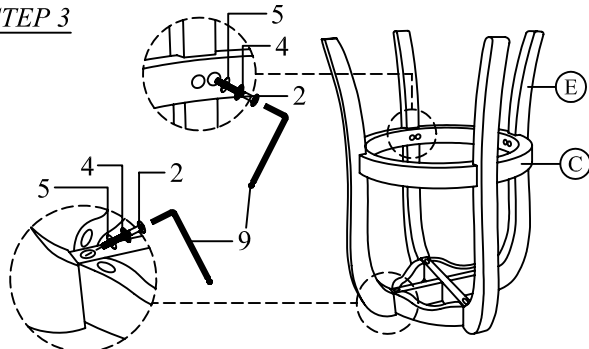
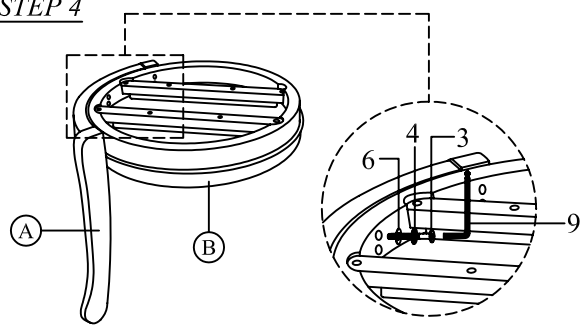
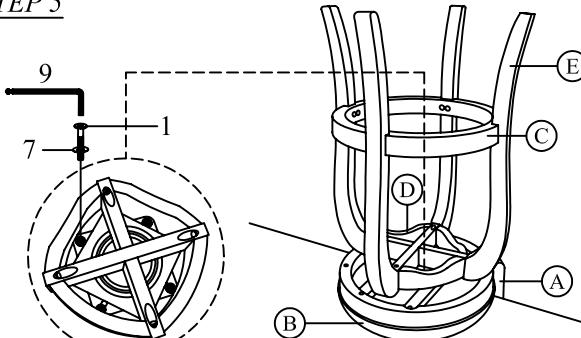
- To prevent scratch, place all wooden parts on a clean and smooth surface such as carpet.
- Keep all hardware parts out of reach of children
- Follow assembly instruction step by step



PARTS LIST	
(A)  Backrest -1 Pc	(C)  Footrest -1 Pc
(B)  Cushion Seat -1 Pc	(D)  Apron with swivel plate -1 Pc
	(E)  Chair Leg ----4 Pcs

HARDWARE LIST			
No	Description		QTY
1	JCBC Screw M6 x 25mm		4 Pcs
2	JCBC Screw M6 x 40mm		12 Pcs
3	JCBC Screw M6 x 45mm		6 Pcs
4	Spring Washer M6 x 13mm		18 Pcs
5	Flat Washer M6 x 13mm		12 Pcs
6	Flat Washer 6.5 x 16.5mm		6 Pcs
7	Flat Washer 1/4" x 19mm		4 Pcs
8	Wood Dowel M10 x 35mm		4 Pcs
9	Allen Key M4 (Long)		1 Pc

NOTE : Do not tighten all screws until the stool is fully set-up.

<p>STEP 1</p> 	<p>STEP 2</p> 
<p>STEP 3</p> 	<p>STEP 4</p> 
<p>STEP 5</p> 	<p>STEP 6</p> 