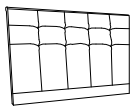




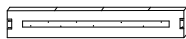
ASSEMBLY INSTRUCTION

HOMELEGANCE 1890N-1 QUEEN BED HEADBOARD, 100% POLYESTER
 1890N-2 QUEEN BED FOOTBOARD, 100% POLYESTER
 1890N-3 QUEEN BED RAILS & SLATS, 100% POLYESTER

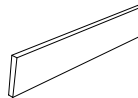
PART LIST: (NOTE:HARDWARE PACK INSIDE THE CARTON OF 1890N-3)



A: Headboard
1PC



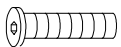
B: Rail
2PCS



C: Footboard
1PC



D: Slat
3PCS



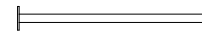
E: Bolt M8*30mm
8PCS



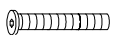
F: Metal Support
Leg 3PCS



G: Plastic Leg
4PCS



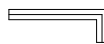
H: Center metal
Support Rail 1PC



I: Bolt 1/4*48mm
6PCS



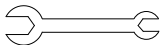
J: Nut 1/4
6PCS



K: Allen Key 5mm
1PC



L: Allen Key 4mm
1PC



M: Wrench 1/4*35mm
1PC



N: Screw 4.0*60mm
8PCS



O: Lock Washer
8PCS



P: Flat Washer
8PCS



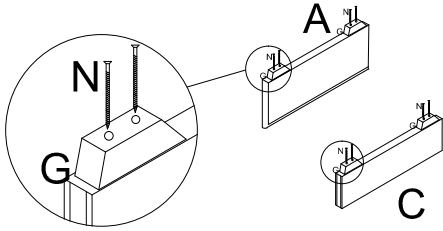
Q: Bolt 1/4*15mm
3PCS



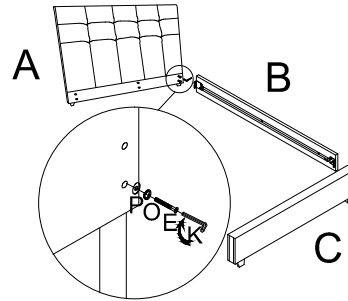
R: Bolt M6*30mm
4PCS

NOTE: PLEASE DO NOT TIGHTEN ALL BOLTS UNTIL THE BED IS ASSEMBLED COMPLETELY.

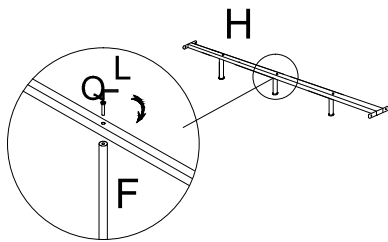
STEP 1



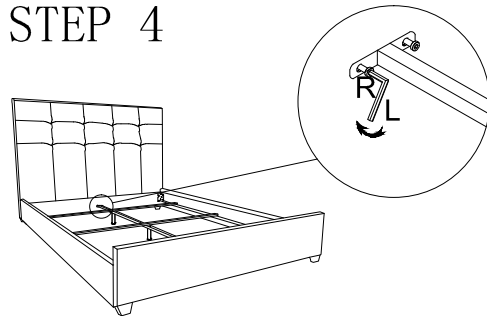
STEP 2



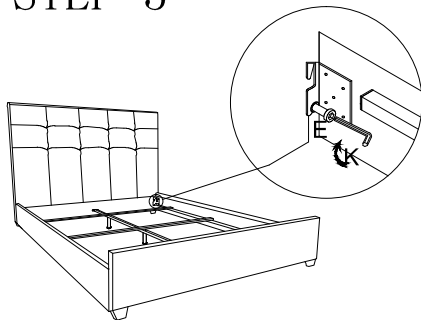
STEP 3



STEP 4



STEP 5



STEP 6

