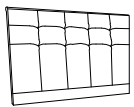




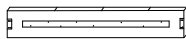
# ASSEMBLY INSTRUCTION

**HOMELEGANCE** 1890FN-1 FULL BED HEADBOARD , 100% POLYESTER  
1890FN-2 FULL BED FOOTBOARD, 100% POLYESTER  
1890FN-3 FULL BED RAILS & SLATS, 100% POLYESTER

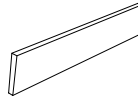
## PART LIST: ( NOTE:HARDWARE PACK INSIDE THE CARTON OF 1890FN-3 )



A: Headboard  
1PC



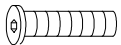
B: Rail  
2PCS



C: Footboard  
1PC



D: Slat  
3PCS



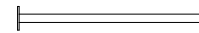
E: Bolt M8\*30mm  
8PCS



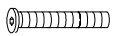
F: Metal Support  
Leg 3PCS



G: Plastic Leg  
4PCS



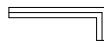
H: Center Metal  
Support Rail 1PC



I: Bolt 1/4\*48mm  
6PCS



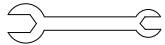
J: Nut 1/4  
6PCS



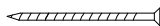
K: Allen Key 5mm  
1PC



L: Allen Key 4mm  
1PC



M: Wrench 1/4\*35mm  
1PC



N: Screw 4.0\*60mm  
8PCS



O: Lock Washer  
8PCS



P: Flat Washer  
8PCS



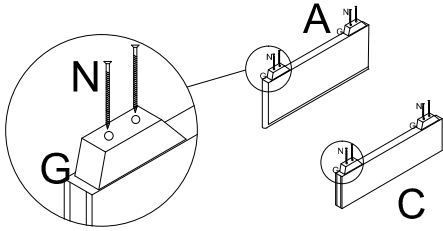
Q: Bolt 1/4\*15mm  
3PCS



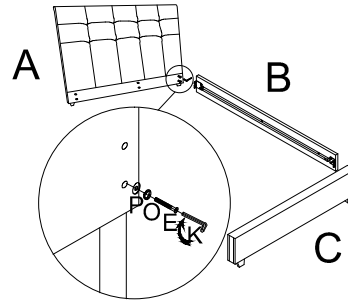
R: Bolt M6\*30mm  
4PCS

NOTE: PLEASE DO NOT TIGHTEN ALL BOLTS UNTIL THE BED IS ASSEMBLED COMPLETELY.

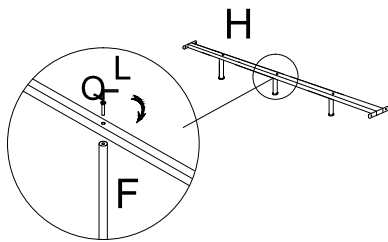
STEP 1



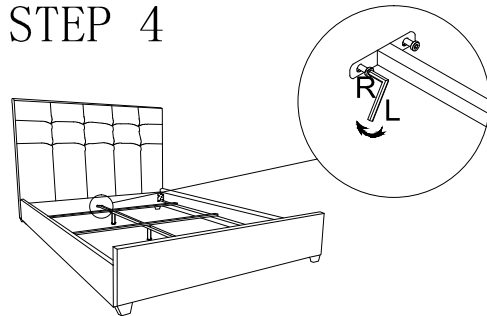
STEP 2



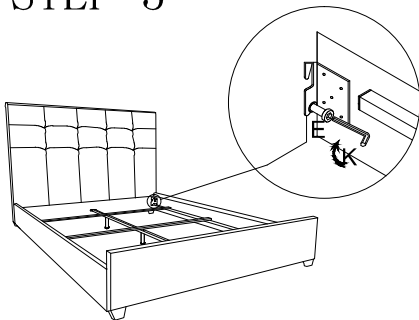
STEP 3



STEP 4



STEP 5



STEP 6

