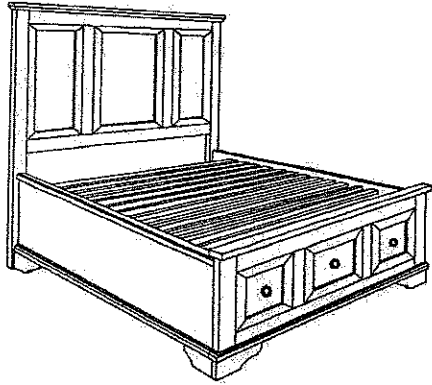


ASSEMBLY INSTRUCTION

INSTRUCTIONS D'ASSEMBLAGE

Item : 1844DC - 1 HEADBOARD
 1844DC - 2 STORAGE FOOTBOARD & SLATS
 1844DC - 3 SIDE RAIL
 Description : QUEEN BED

Item : 1844KDC - 1 EK / CK HEADBOARD
 1844KDC - 2 EK / CK STORAGE
 FOOTBOARD & SLATS
 1844DC - 3 SIDE RAIL
 Description : EK BED



IMPORTANT NOTE :

1. Place all wooden parts on a clean and smooth surface such as a rug or carpet to avoid the parts from being scratched.
2. Check to sure that you have all parts and hardware.
3. Remove all wrapping materials, including staples & packing straps before you start to assemble.
4. Do not tighten all screws / bolts until all completely assemble.
5. Keep all hardware parts out of reach of children.

HEADBOARD & FOOTBOARD TETE DE LIT & PIED DE LIT

PARTS LIST LISTE DE PIECES		
NO	DESCRIPTION	QTY/PCS
A.	HEADBOARD / TETE DE LIT	1 PC
B.	FOOTBOARD / PIED DE LIT	1 PC

HEADBOARD & FOOTBOARD TETE DE LIT & PIED DE LIT

HARDWARE LIST LISTE DE QUINCAILLERIE		
NO	DESCRIPTION	QTY/PCS
1.	JCBB SCREW / BOULON M8 X 16MM	8 PCS
2.	ALLEN KEY / CLE' ALLEN M5	1 PC

SIDE RAIL / LONGERON

PARTS LIST LISTE DE PIECES		
NO	DESCRIPTION	QTY/PCS
C.	SIDE RAIL / LONGERON	2 PCS
D.	SLATS / LATTES	13 PCS
E.	SLATS SUPPORT / LATTES SUPPORT	2 PCS
F.	SUPPORT LEG / SUPPORT POUR TRANSVERSE	6 PCS

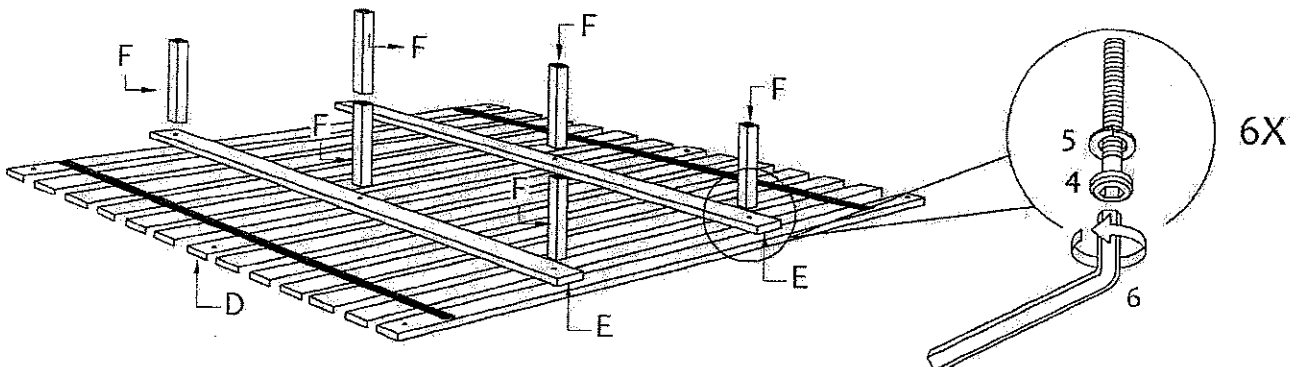
SIDE RAIL / LONGERON

HARDWARE LIST LISTE DE QUINCAILLERIE		
NO	DESCRIPTION	QTY/PCS
3.	CSK SCREW M4 X 32MM	6 PCS
4.	JCBB SCREW / BOULON M6 X 60MM	6 PCS
5.	SPRING WASHER / RONDELLE D'ARRET Ø5/16"	6 PCS
6.	ALLEN KEY (LONG) / CLE' ALLEN M4	1 PC

STEP 1 / ETAPE 1

Open the Slats (D) with bottom facing up. Place Slats Support (E) and Center Leg (F) on top of Slats (D). From bottom of Slats(D) insert JCBB Bolts (4) and Spring Washer (5) to the holes and tighten using Allen Key (6).

* HARDWARE SET IS IN 1844DC-3 FOR ASSEMBLY



ASSEMBLY INSTRUCTION

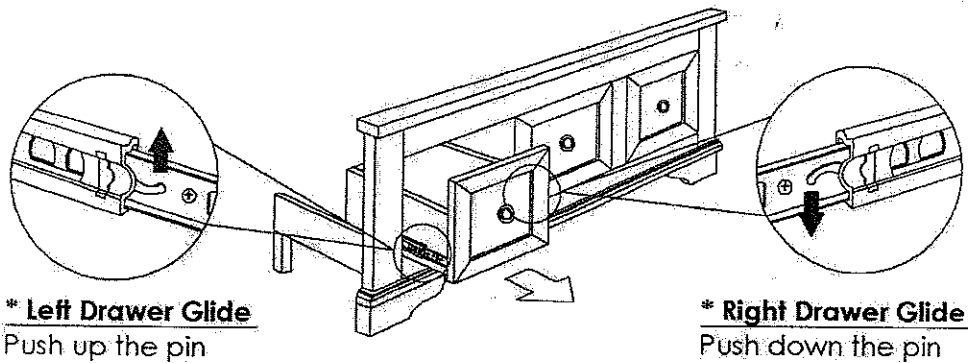
INSTRUCTIONS D'ASSEMBLAGE

Item : 1844DC -1 HEADBOARD
 1844DC - 2 STORAGE FOOTBOARD & SLATS
 1844DC - 3 SIDE RAIL
 Description : QUEEN BED

Item : 1844KDC -1 EK / CK HEADBOARD
 1844KDC - 2 EK / CK STORAGE
 FOOTBOARD & SLATS
 1844DC - 3 SIDE RAIL
 Description : EK BED

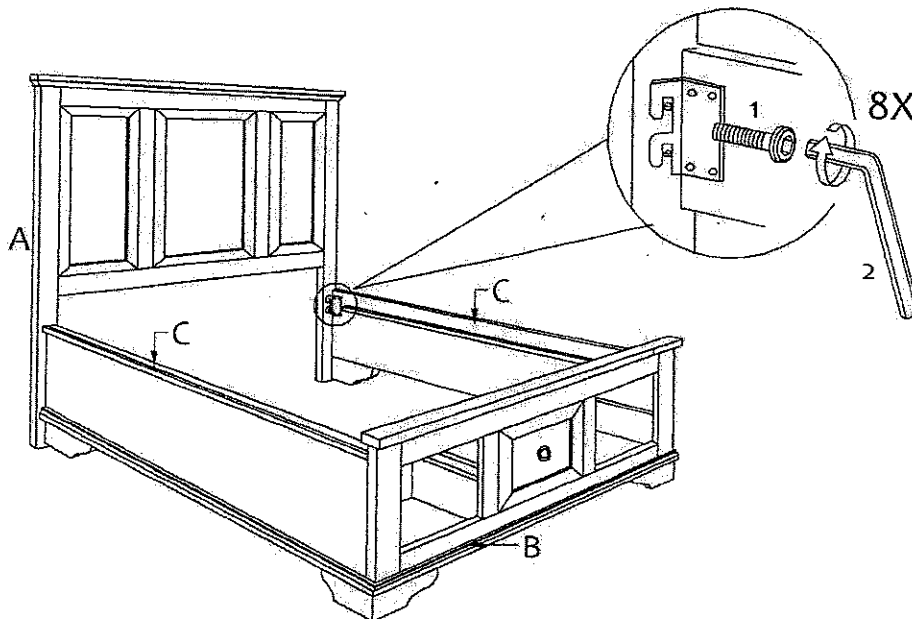
STEP 2 / ETAPE 2

Please follow the instruction below to take out the drawers before assembling the Side Rail (C).



STEP 3 / ETAPE 3

Attach Side Rail (C) to Headboard (A) and Footboard (B) by inserting JCBB Bolts (1) loosely into provided holes, then hooking Side Rail brackets on as shown. Tighten all bolts using Allen Key (2).



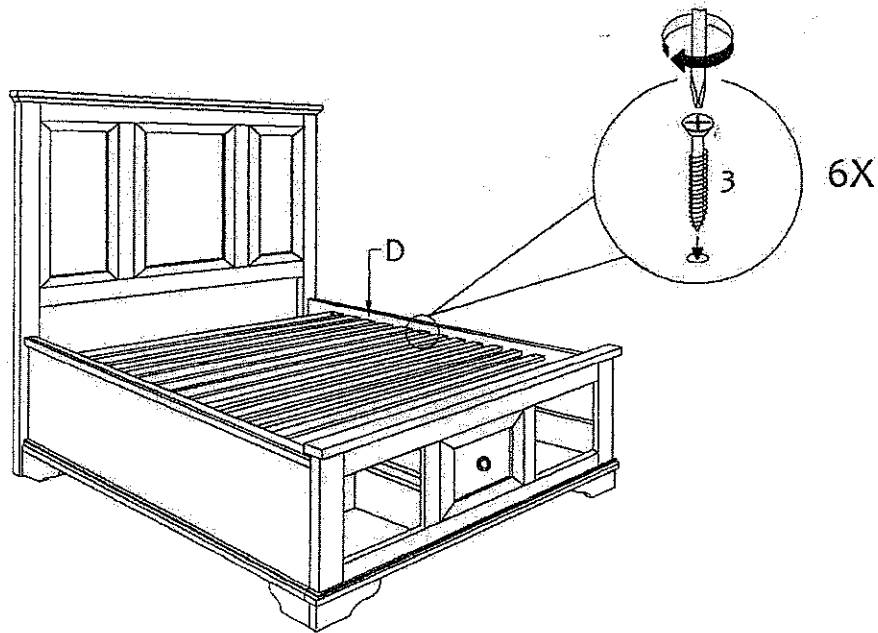
ASSEMBLY INSTRUCTION

INSTRUCTIONS D'ASSEMBLAGE

Item : 1844DC - 1 HEADBOARD
1844DC - 2 STORAGE FOOTBOARD & SLATS
1844DC - 3 SIDE RAIL
Description : QUEEN BED

Item : 1844KDC - 1 EK / CK HEADBOARD
1844KDC - 2 EK / CK STORAGE
FOOTBOARD & SLATS
1844DC - 3 SIDE RAIL
Description : EK BED

STEP 4 / ETAPE 4



STEP 5 / ETAPE 5

Follow the instruction from Step 2 to install the drawers to Footboard.

