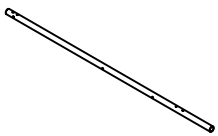




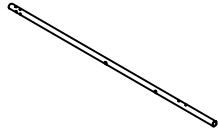
ASSEMBLY INSTRUCTION

HOMLEGANCE 1758-1 QUEEN SIZE CANOPY BED

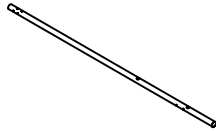
PART LIST:



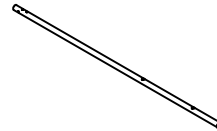
A:LSF Headboard Post
x 1pc



B: RSF Headboard Post
x 1pc



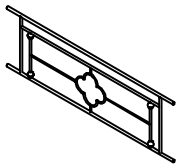
C:LSF Footboard Post
x 1pc



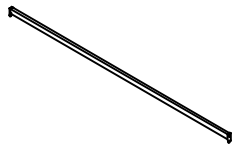
D:RSF Footboard Post
x 1pc



E:Short Upper Support Bar
x 2pcs



F:Headboard & Footboard Frame
x 2pcs



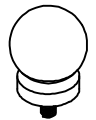
G:Long Upper Support Bar
x 2pcs



H:Rail
x 2pcs



I:Front/Rear Support Bar
x 2pcs



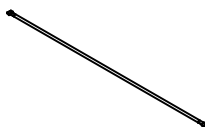
J:Finial
x 4pcs



K:Center support Bar
x 1pc



L:Support Legs
x 2pcs



M:Slat with Connectors
x 16pcs

HARDWARE LIST:



1: Bolt 1/4*46mm
x4pcs



2: Bolt 1/4*16mm
x32pcs



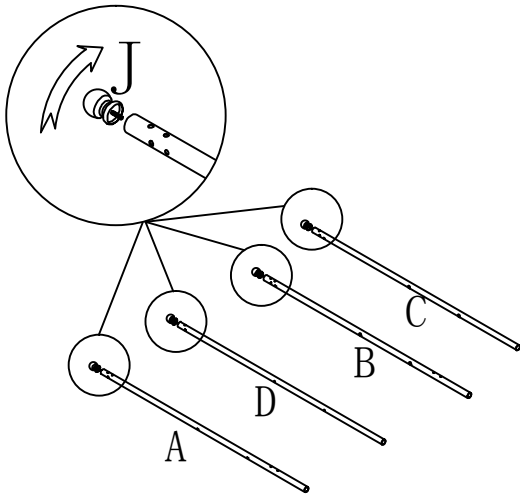
3: Bolt 5/16*55mm
x8pcs



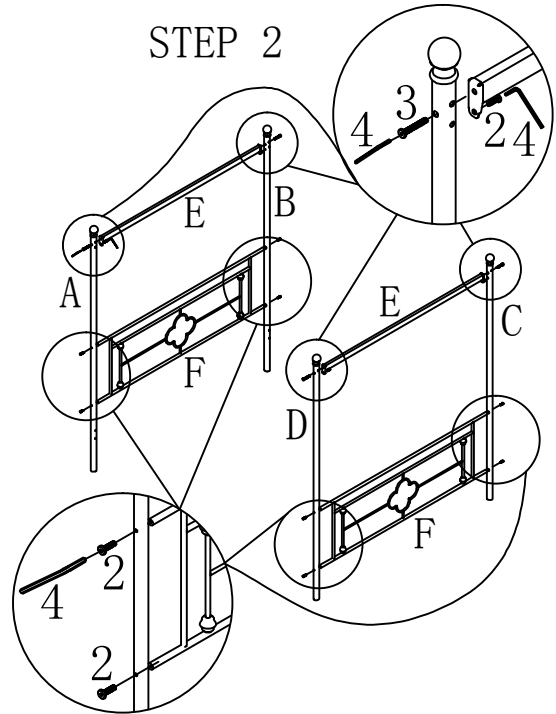
4: Allen Key 4MM
x1pc

Note: Please do not tighten all bolts until the bed is assembled completely.

STEP 1

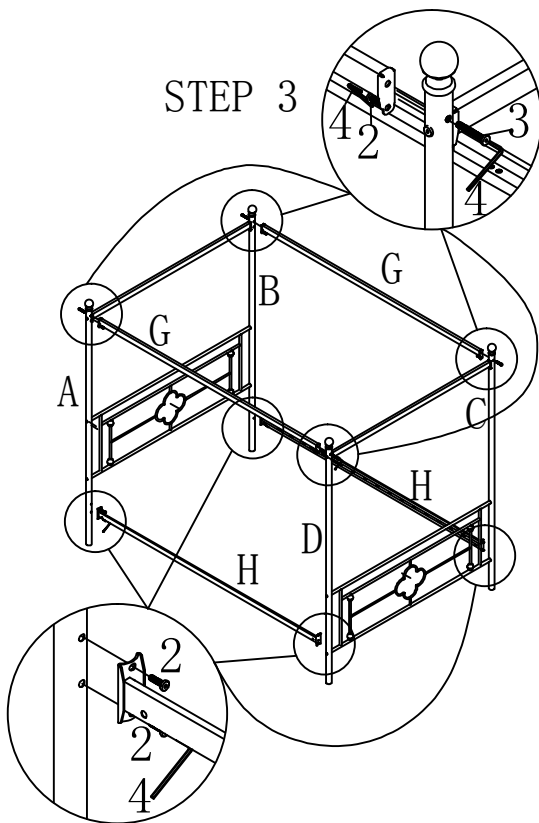


STEP 2



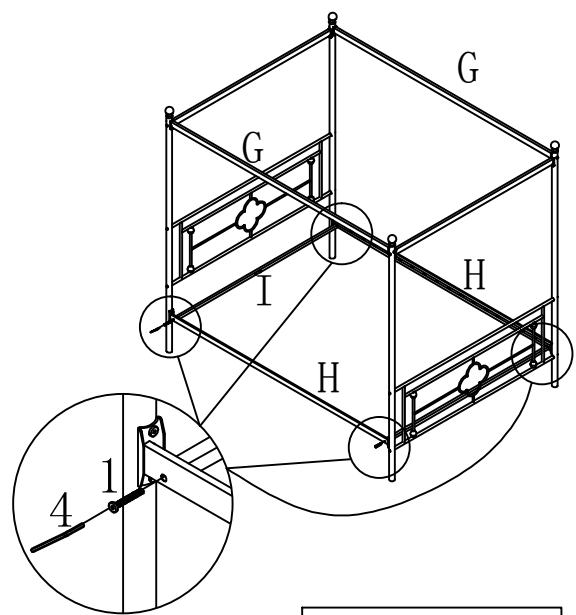
Hardware 2: 12 PCS
Hardware 3: 4 PCS

STEP 3



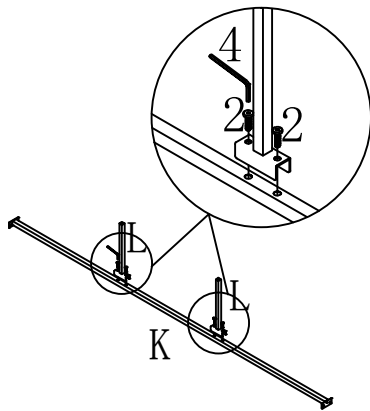
Hardware 2: 12 PCS
Hardware 3: 4 PCS

STEP 4



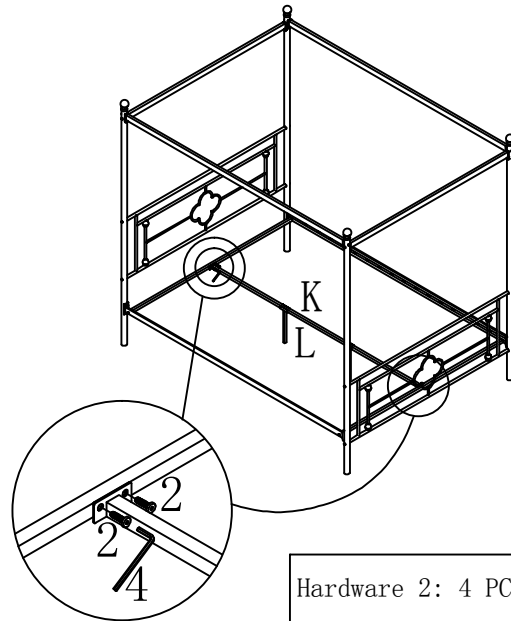
Hardware 1: 4 PCS

STEP 5



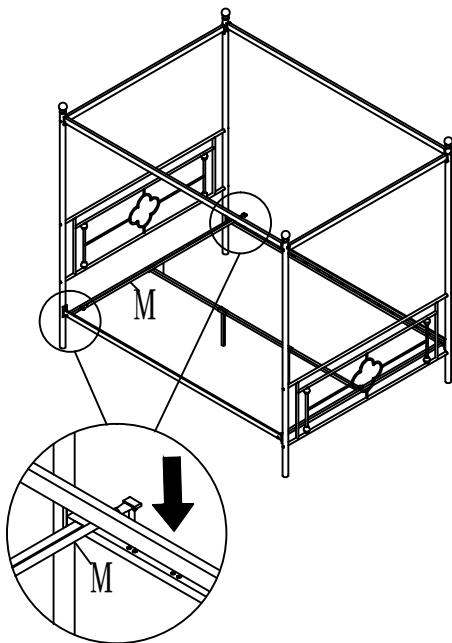
Hardware 2: 4 PCS

STEP 6

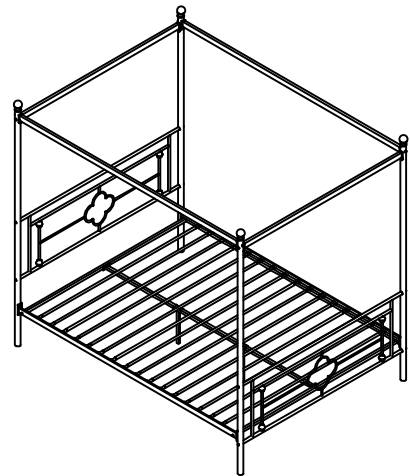


Hardware 2: 4 PCS

STEP 7



COMPLETED



For items use on wooden floor, hard surfaces or carpets, it is recommended to install protective pads under all legs and supports to avoid/prevent from damages/scratches and discoloration.