



# ASSEMBLY INSTRUCTION

ITEM#:1757/1757SV QUEEN BED

1757/1757SV-1 QUEEN BED HEADBOARD

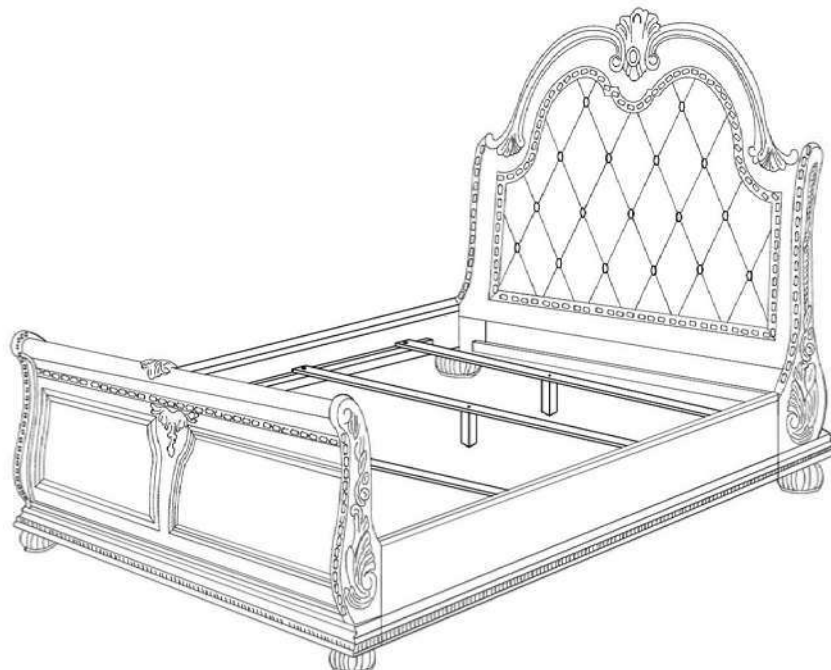
1757/1757SV-2 QUEEN BED FOOTBOARD & SLATS

1757/1757SV-1P QUEEN BED HEADBOARD POSTS

1757/1757SV-3 QUEEN RAILS

PART LIST		
1	HEADBOARD	1PC
2	HEADBOARD POST LSF	1PC
3	HEADBOARD POST RSF	1PC
4	HEADBOARD SUPPORT BAR	1PC
5	FOOTBOARD	1PC
6	RAIL	2PCS
7	SLAT	3PCS
8	SUPPORT LEG	3PCS
9	BUN FOOT	4PCS
10	TOP CROWN OF HB	1PC

HARDWARE LIST IN -1P			
A		BOLT 5/16 "x 1-1/4"	2PCS
B		BOLT 5/16 "x 1-3/4"	10PCS
C		SPRING WASHER 5/16"	12PCS
D		FLAT WASHER 5/16"	12PCS
E		ALLEN KEY 5MM	1PC
HARDWARE LIST IN -3			
F		THREADED STUD 5/16"x 3-1/2"	8PCS
G		NYLON WASHER 5/16"	8PCS
H		HEX NUT 5/16"	8PCS
I		WRENCH 5/16"	1PC
J		SCREW #8x1-1/4"L	6PCS





# ASSEMBLY INSTRUCTION

ITEM#:1757/1757SV QUEEN BED

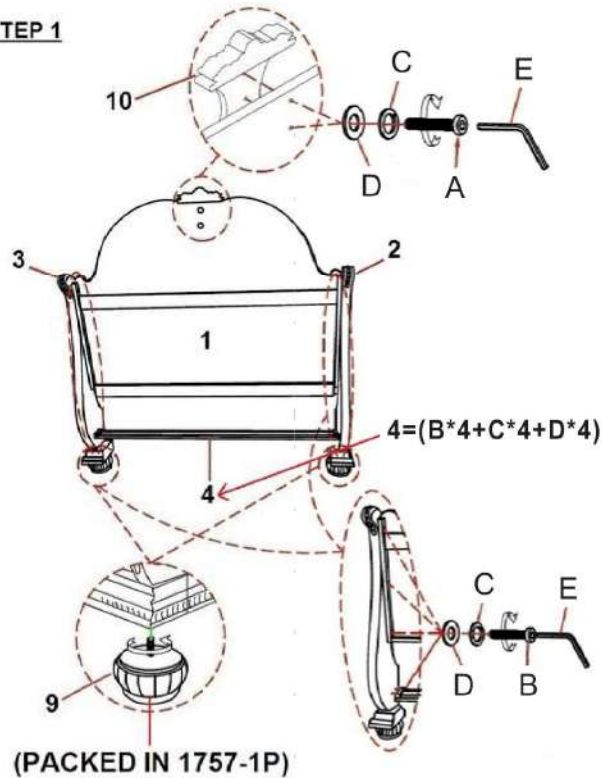
1757/1757SV-1 QUEEN BED HEADBOARD

1757/1757SV-2 QUEEN BED FOOTBOARD & SLATS

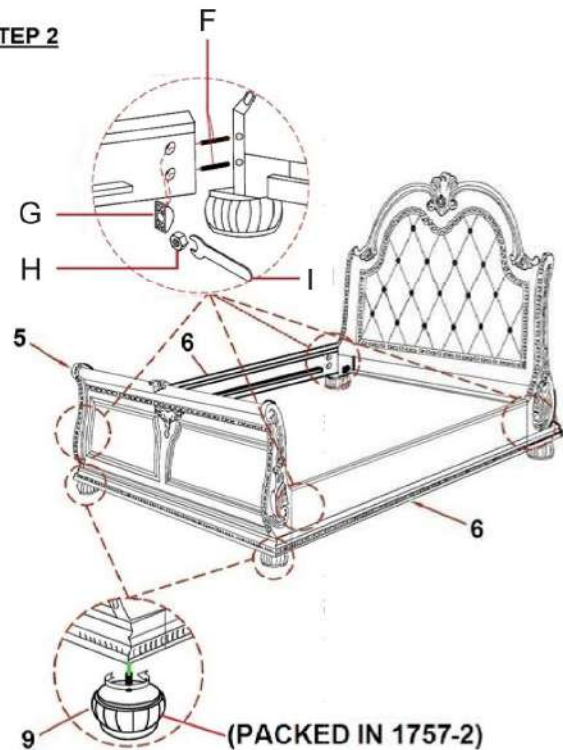
1757/1757SV-1P QUEEN BED HEADBOARD POSTS

1757/1757SV-3 QUEEN RAILS

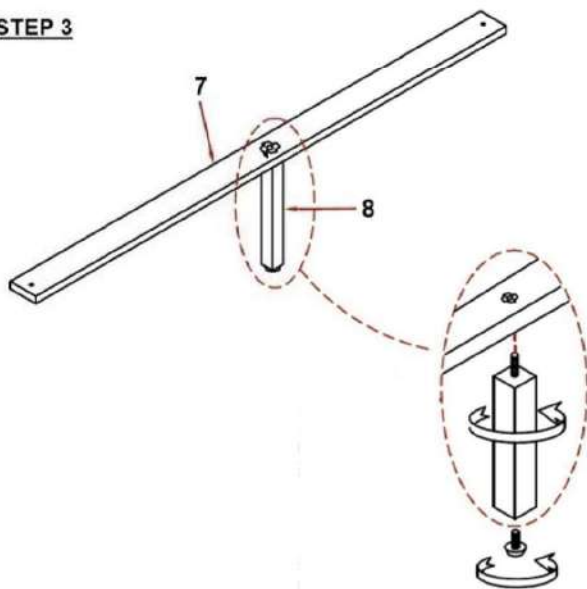
## STEP 1



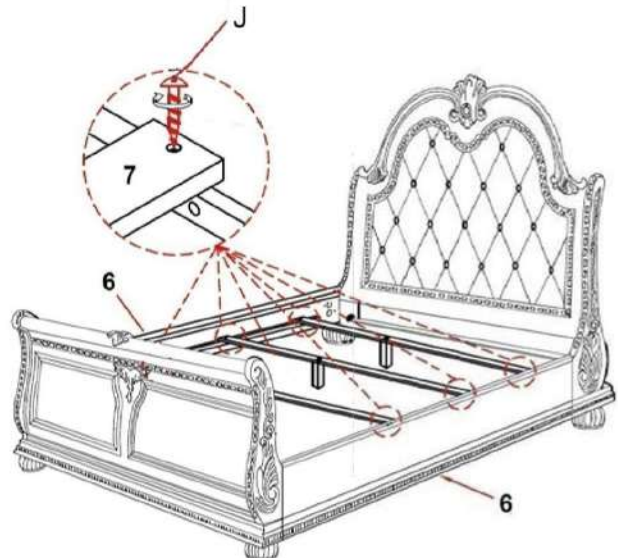
## STEP 2



## STEP 3



## STEP 4



For item use on wooden floor, hard surfaces or carpets, it is recommended to install protective pads under all legs and support to avoid/prevent from damages/scratches and discoloration.