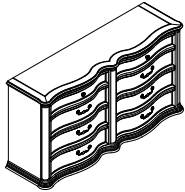


ASSEMBLY INSTRUCTION

Item#1682-5: DRESSER

- (A) Dresser (B) Legs (C) Support legs (D) Furniture Tipping Restraint




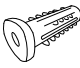



1pc

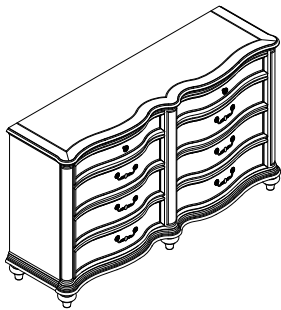


5pcs



1pc

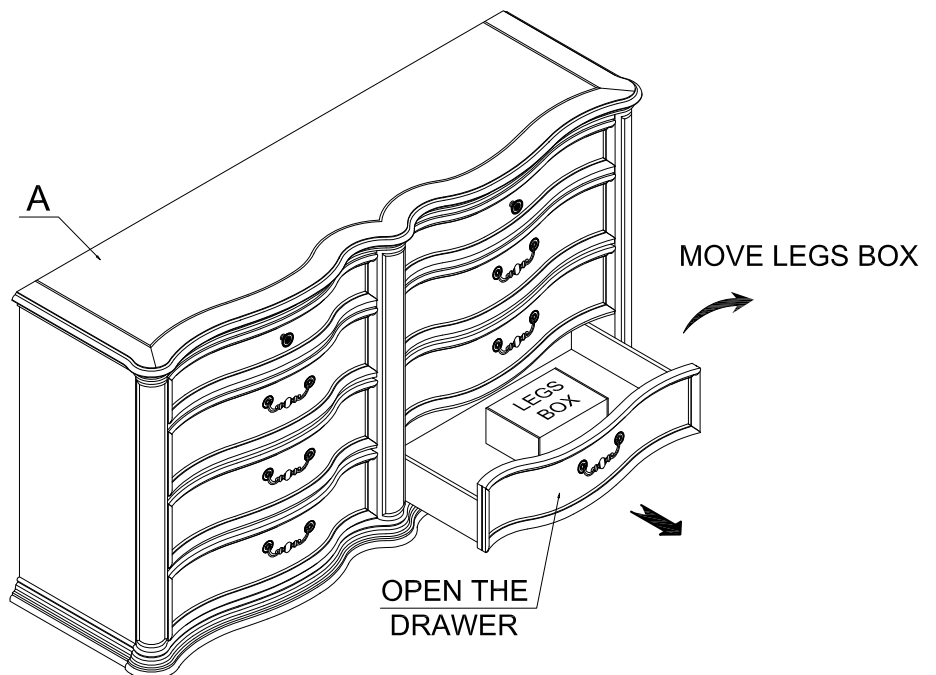
Strap	Anchor	Brackets	Screw (Ø8x1")	Screw (Ø8x5/8")
				
1pc	1pc	2pcs	1pc	1pc



This page lists all the contents included in the box. Please take time to identify the hardware as well as the individual components to this product. As you unpack and prepare for assembly, place the contents on a carpeted or padded area to protect them from damage.

1

NOTE:
REMOVE LEGS
FROM INNER BOX



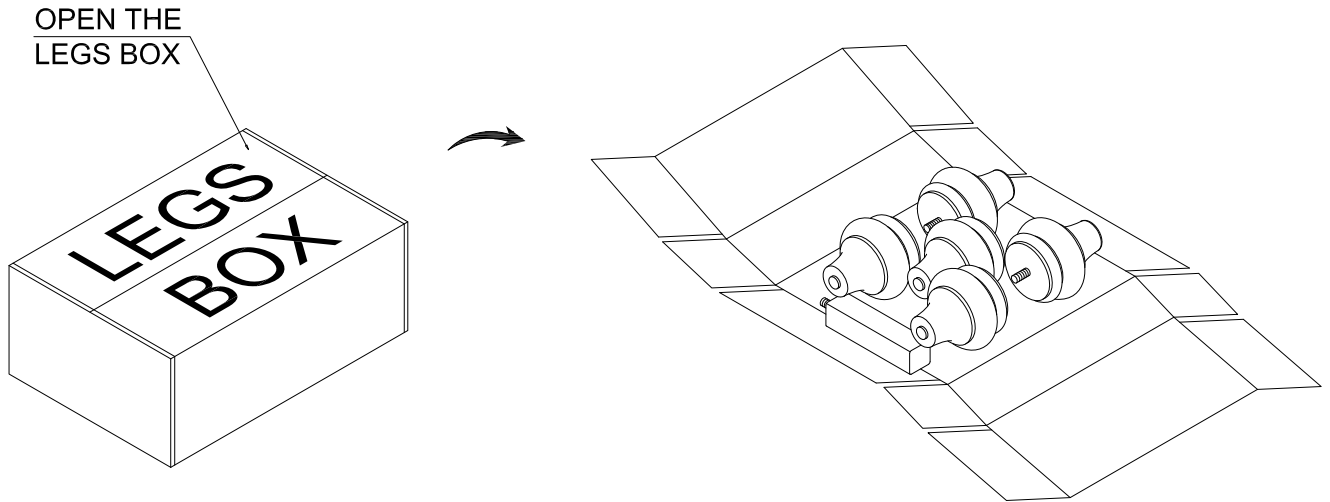
Cleaning & Care

Treat surface with care. Clean surfaces with a dry or damp soft cloth. Do not use abrasive cleaners. Hardware may loosen over time. Periodically check that all connections are tight.

Made in Vietnam

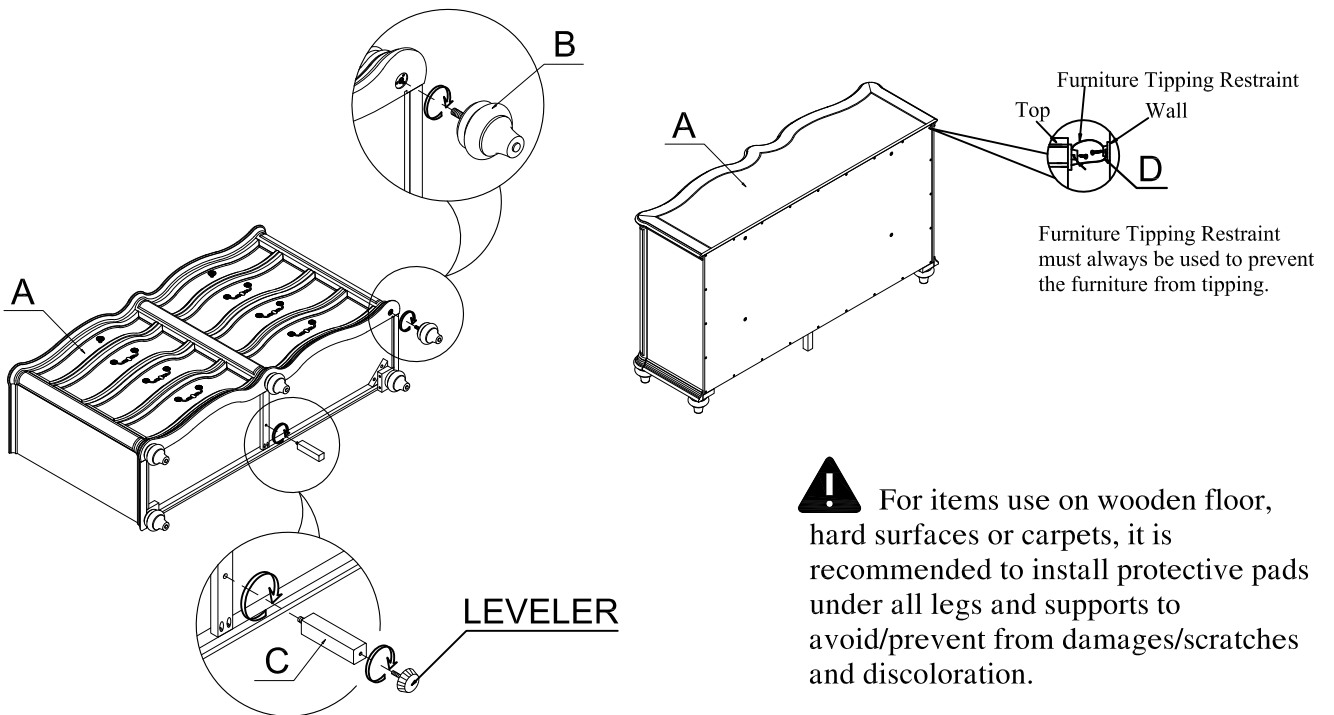
Item#1682-5: DRESSER

2



3

Assemble the furniture Tipping Restraint (D) to the Dresser (A).



Cleaning & Care

Treat surface with care. Clean surfaces with a dry or damp soft cloth. Do not use abrasive cleaners. Hardware may loosen over time. Periodically check that all connections are tight.

Made in Vietnam