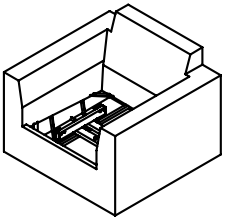
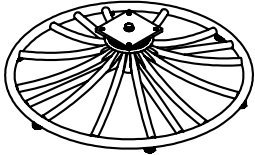
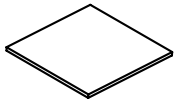
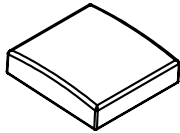
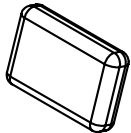
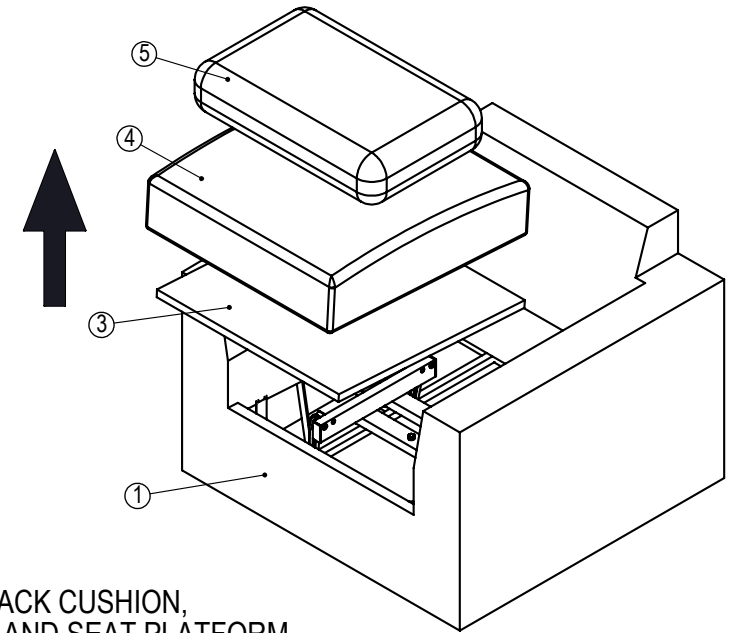


ASSEMBLY INSTRUCTIONS

TROPEZ OUTDOOR SWIVEL ROCKER SOFA CHAIR

COMPONENT LIST

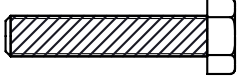
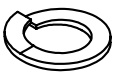

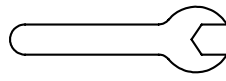
COMPONENT LIST			
1		BODY	PC : 1
2		BASE SWIVEL ROCKER	PC : 1
3		SEAT PLATFORM	PC : 1
4		SEAT CUSHION	PC : 1
5		BACK CUSHION	PC : 1

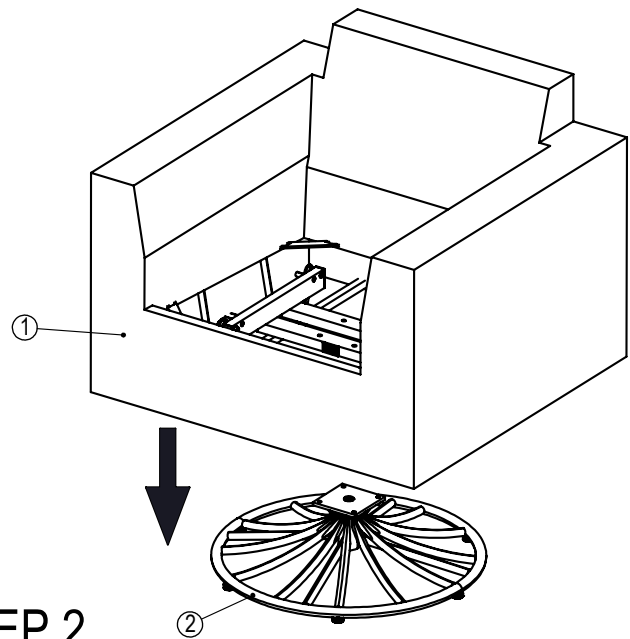


STEP 1

REMOVE THE BACK CUSHION,
SEAT CUSHION AND SEAT PLATFORM

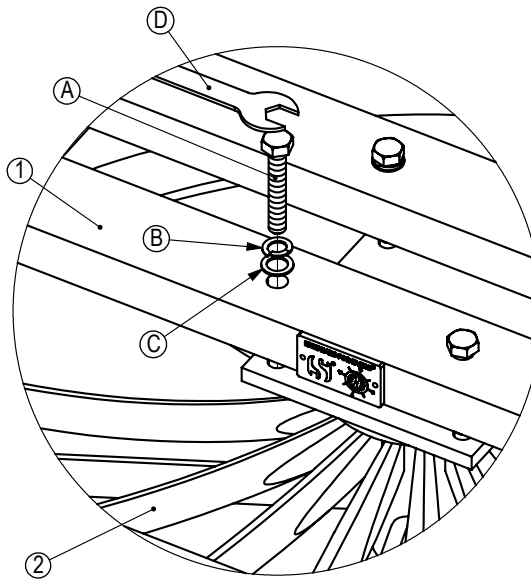
HARDWARE LIST

HARDWARE LIST			
A		HEX BOLT M10 X 40MM SS	PCS : 4
B		SPRING WASHER M10 X Ø18 SS	PCS : 4
C		FLAT WASHER M10 X Ø20 SS	PCS : 4
D		WRENCH 17	PC : 1



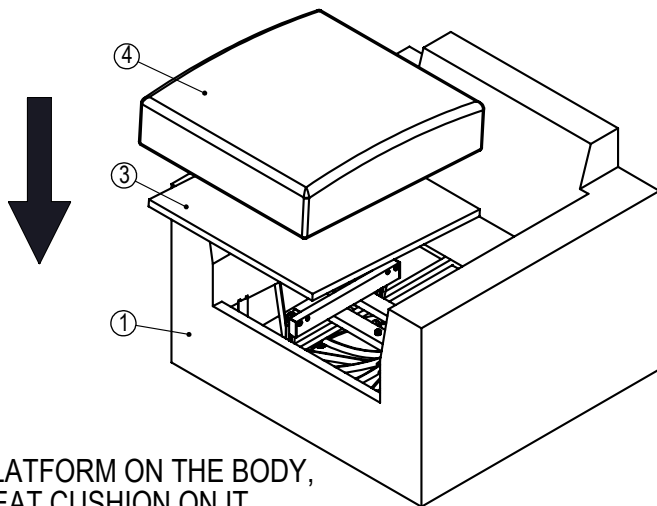
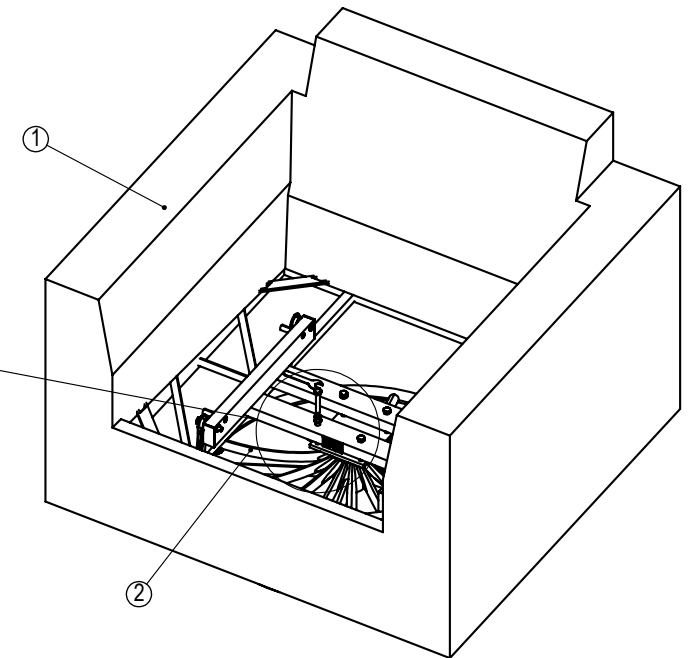
STEP 2

ALIGN THE HOLES OF BODY AND BASE SWIVEL ROCKER UNTIL ALL HOLES ARE CENTERED



STEP 3

AFTER THE BODY AND BASE HOLES ARE CENTERED
THREAD THE BOLTS ONE BY ONE BEFORE FULLY TIGHTENING THEM ALL

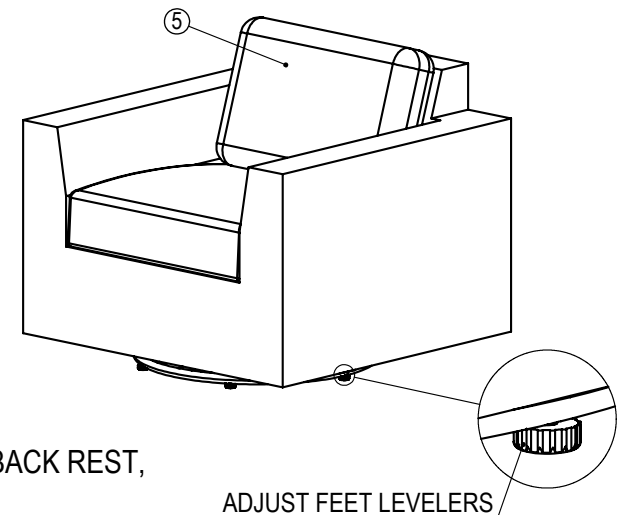


STEP 4

PUT THE SEAT PLATFORM ON THE BODY,
THEN PUT THE SEAT CUSHION ON IT

STEP 5

PUT THE BACK CUSHION ON THE BACK REST,
FINISH



ADJUST FEET LEVELERS