
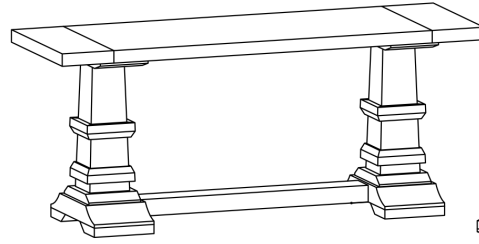


# ASSEMBLY INSTRUCTIONS | HUDSON DINING BENCH

## HARDWARE CHECKLIST

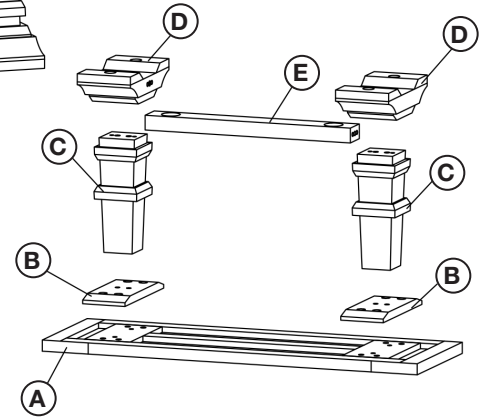
01		Cap Screw (2pcs)
02		U-Washer (2pcs)
03		Short Allen Bolt (12pcs)
04		Long Allen Bolt (4pcs)
05		Spring Washer (16pcs)
06		Flat Washer (16pcs)
07		Dowel (12pcs)
08		Allen Key (1pc)

Please do not discard any packaging until you have checked that all the parts and hardware are present.

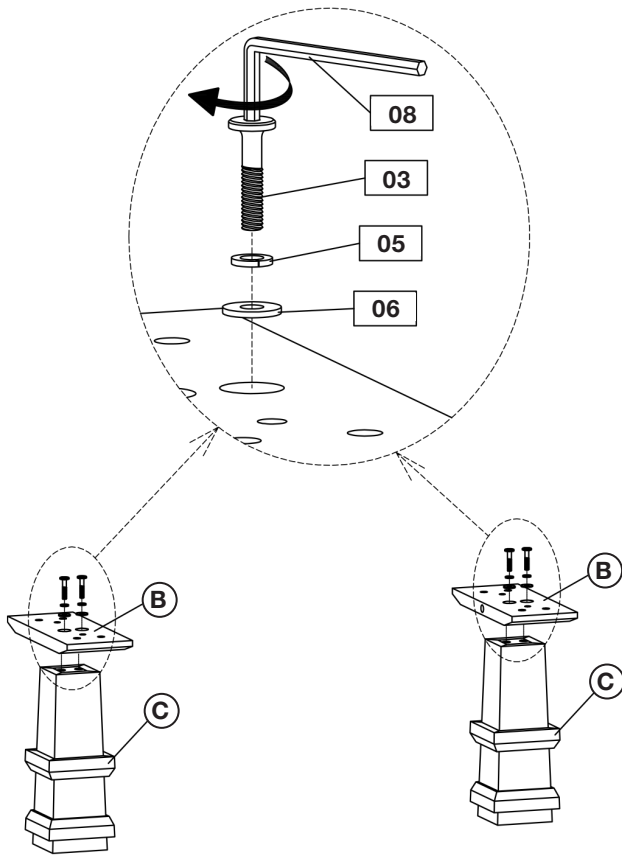


## PARTS CHECKLIST

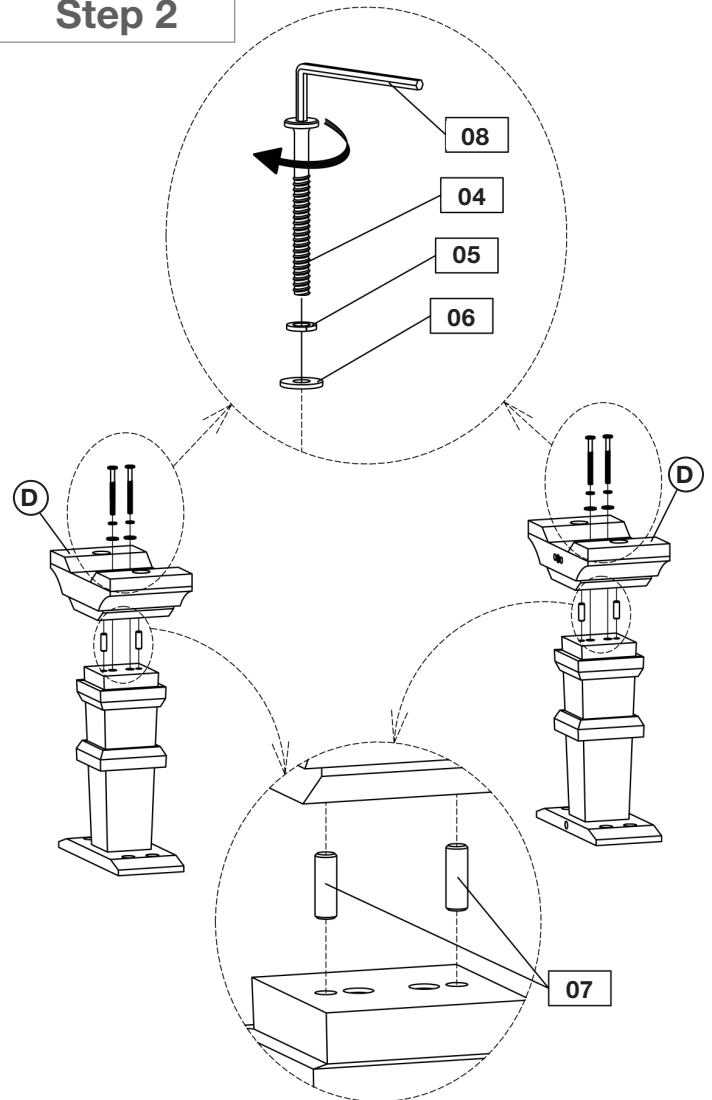
A	Seat Top (1pc)
B	Leg Head (2pcs)
C	Base Center (2pcs)
D	Bottom Leg (2pcs)
E	Stretcher (1pc)



## Step 1

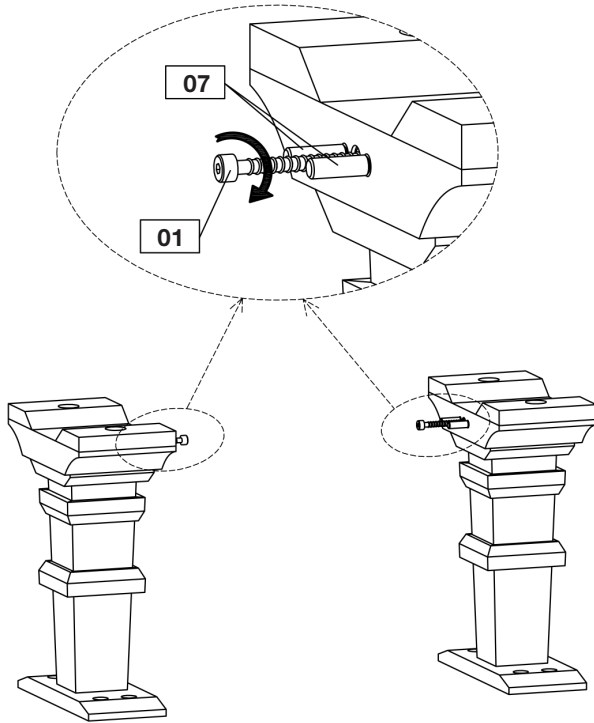


## Step 2

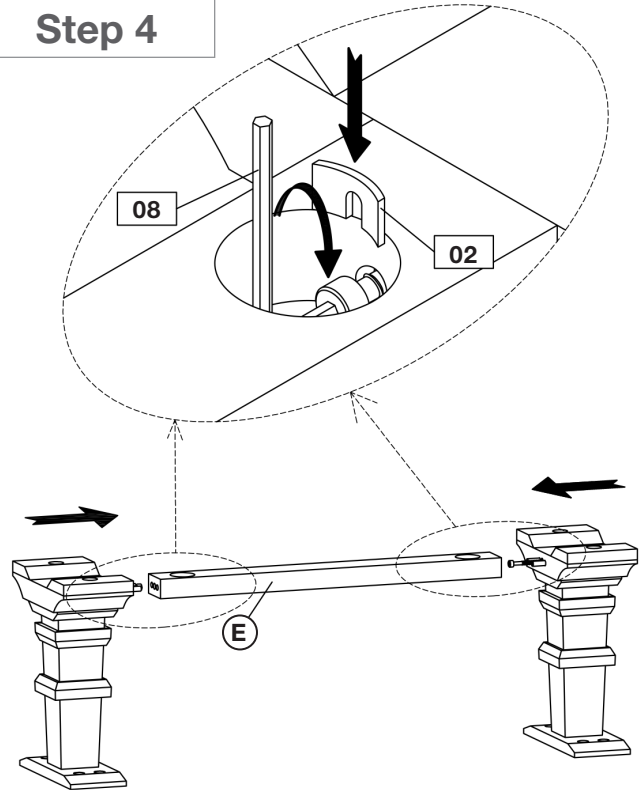


# ASSEMBLY INSTRUCTIONS | HUDSON DINING BENCH

## Step 3



## Step 4



## Step 5

