

ASSEMBLY INSTRUCTIONS | NOBLE SIDEBOARD

IMPORTANT: This unit requires at minimum 2 people to assemble





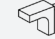
DO NOT USE A DRILL FOR ASSEMBLY

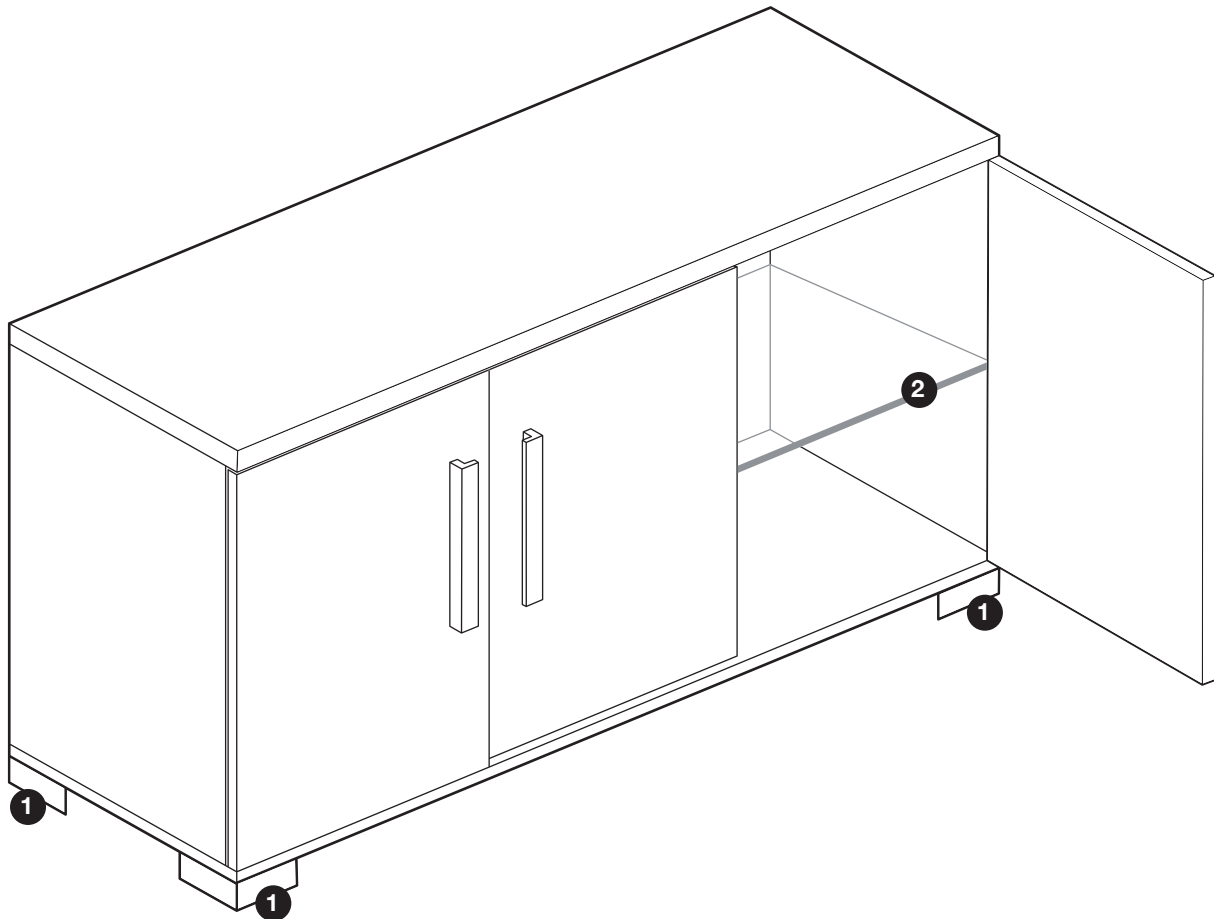


PARTS CHECKLIST

1	Feet (6pcs)
2	Glass Shelf (3pcs)

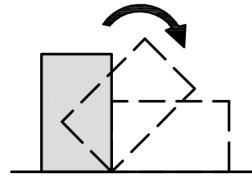
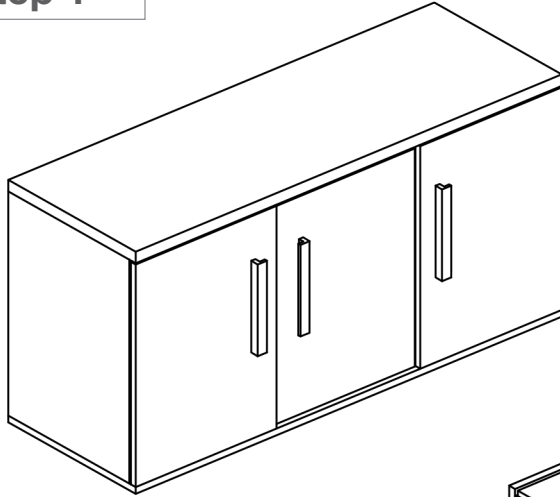
HARDWARE CHECKLIST

A		Wooden Dowels (12pcs)
B		Screws for Feet (6pcs)
C		Glass Shelf Support (12pcs)

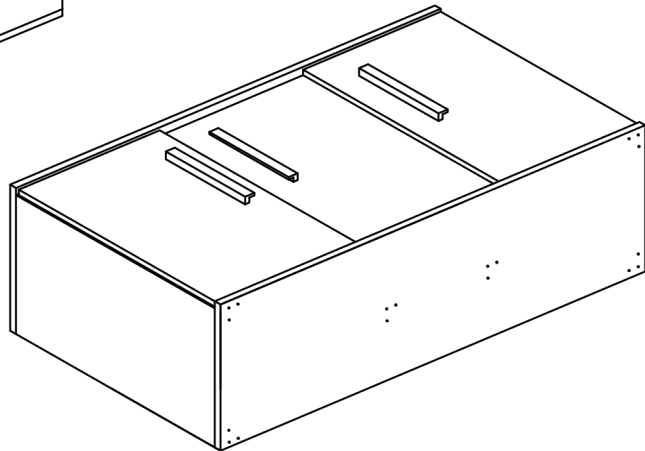


ASSEMBLY INSTRUCTIONS | NOBLE SIDEBORD

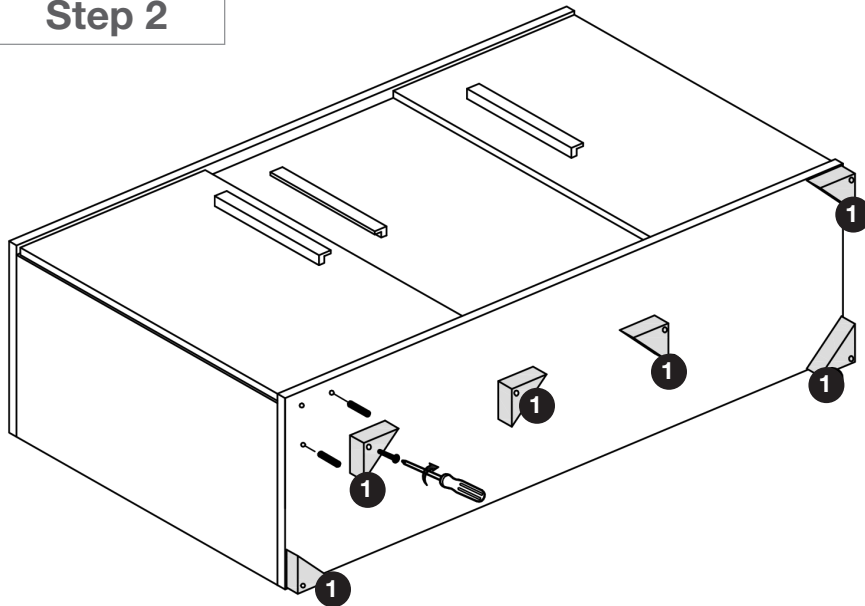
Step 1



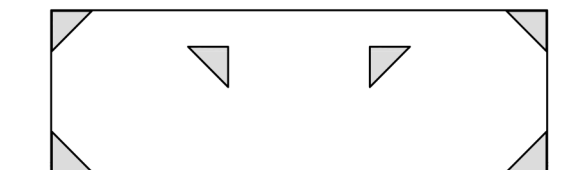
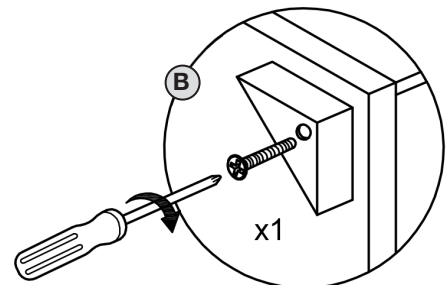
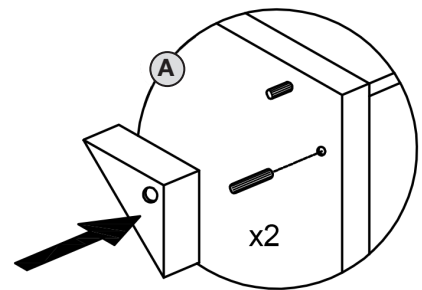
Flip the sideboard over to show the bottom side



Step 2

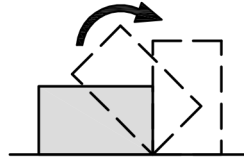
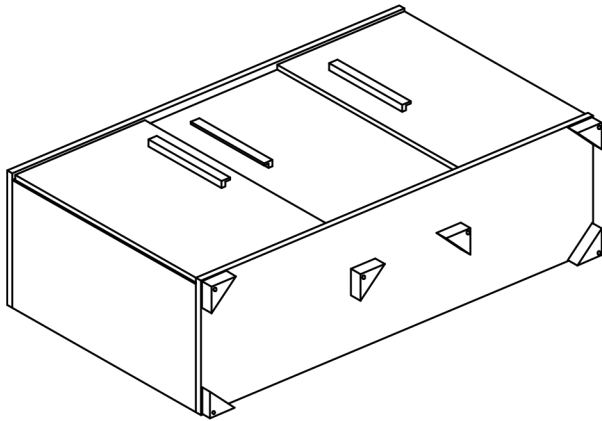


Insert Wooden Dowels and attach the feet using Screws

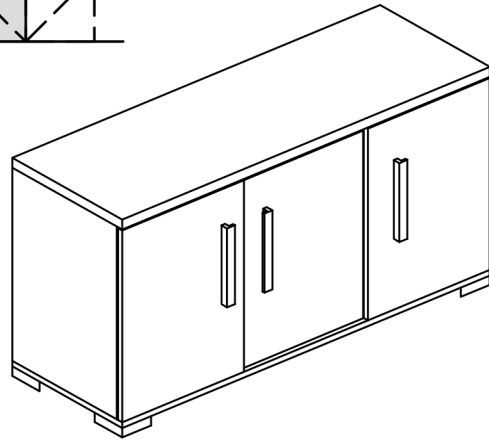


ASSEMBLY INSTRUCTIONS | NOBLE SIDEBOARD

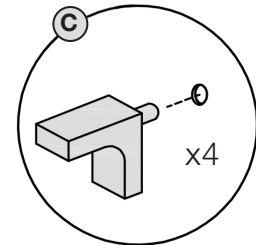
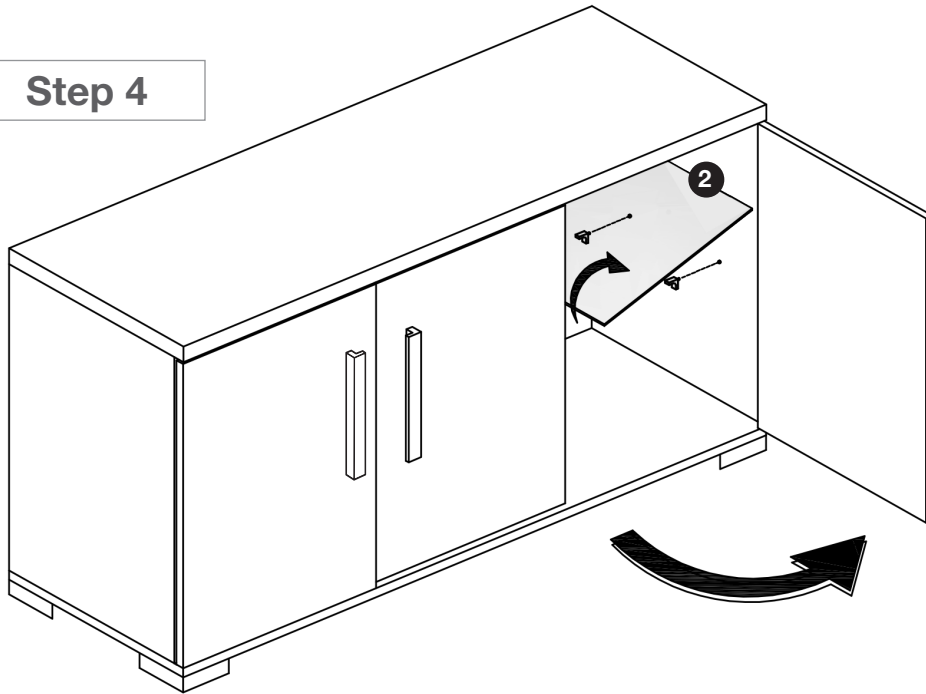
Step 3



Flip the sideboard back over



Step 4



Insert 4 Glass Shelf Supports in one of the cabinets and place a Glass Panel. Repeat the process for the other two cabinets.

