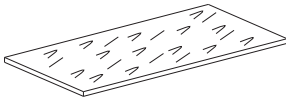
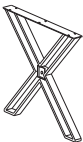



ASSEMBLY INSTRUCTION FOR ACME FURNITURE


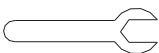



MODEL# 72345

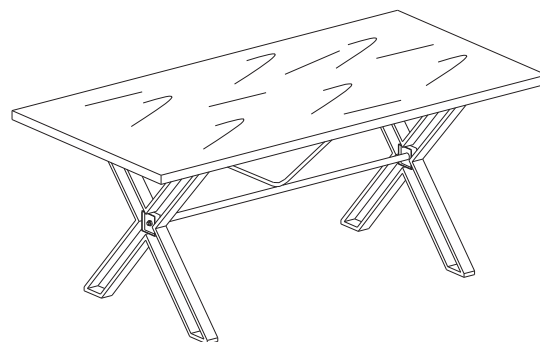
Thank you for purchasing the quality product. Be sure to check all packing material carefully for small parts which may have come loose inside the carton during shipment. Separate, identify and count all parts and metal hardware. Compare with all parts list to ensure all parts are present. If any part(s) are missing or damaged, please contact your local furniture dealer. For efficient and speedy service, please indicate the model number and code letter of part(s) needed.

* * *Do not fully tighten screws until assembled* * *

COMPONENT PARTS		
DESCRIPTION	PART NAME	Q'TY (PCS)
①	TABLE TOP 	1
②	LEG FRAME 	2
③	SUPPORT FRAME 	1

HARDWARES REQUIRED

- A

ALLEN KEY - 1 PC
- B

WRENCH - 1PC
- C

BOLT 1/4 " * 5/8" -10 PCS
- D

BOLT 1/4 " * 3/4" - 2 PCS
- E

NUT - 2 PCS

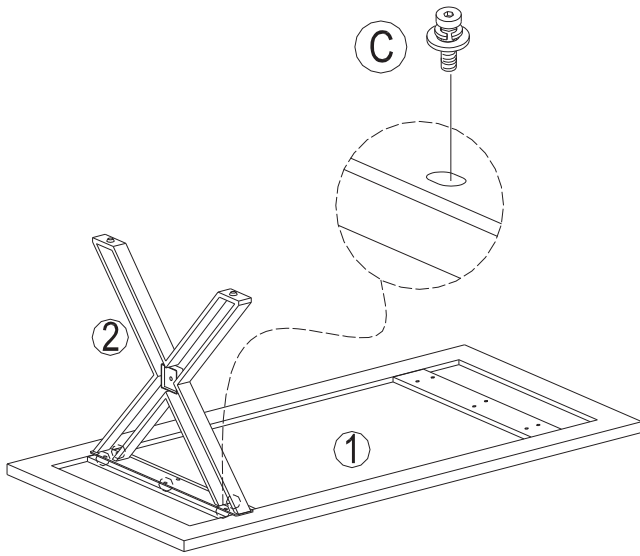


Attention:

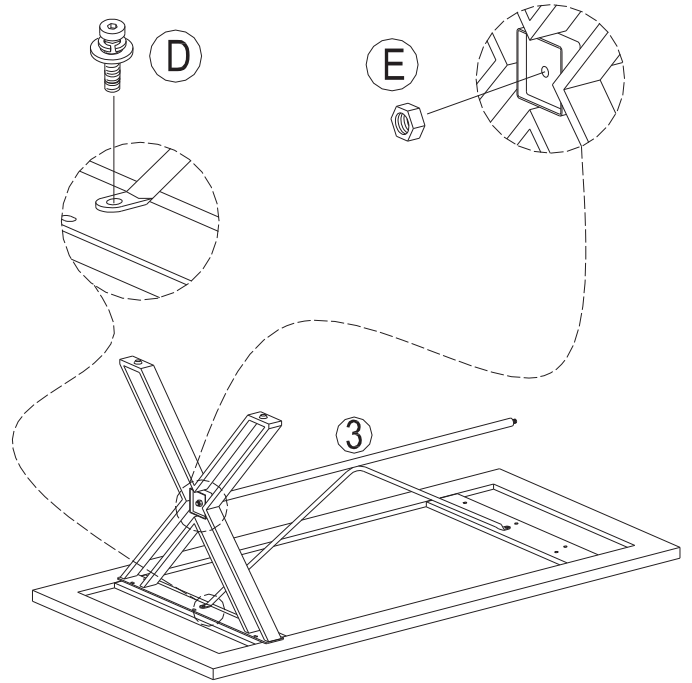
* * * Some number parts listed on the instruction sheet may not be in parts bag as they may already be assembled. Carefully check parts and packing materials prior to ordering replacements.

How to assemble:

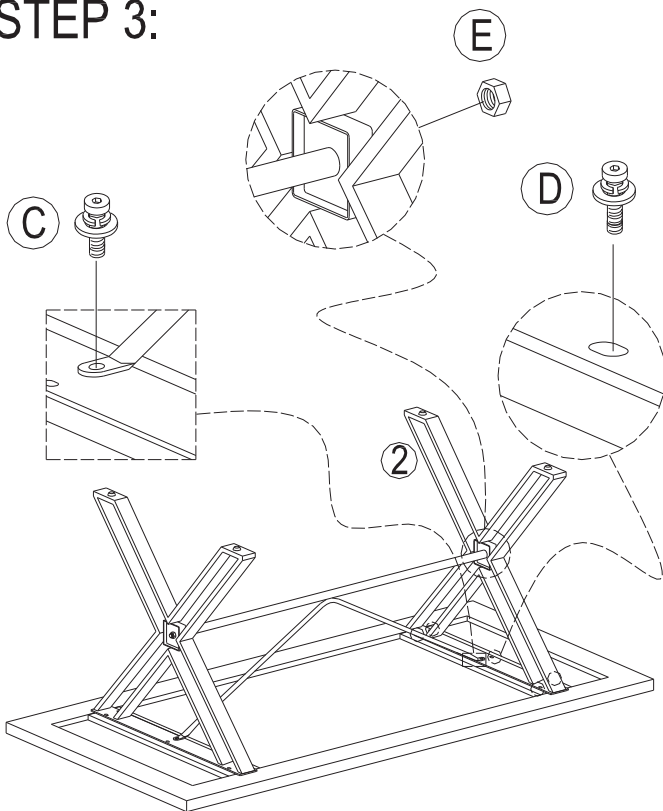
STEP 1:



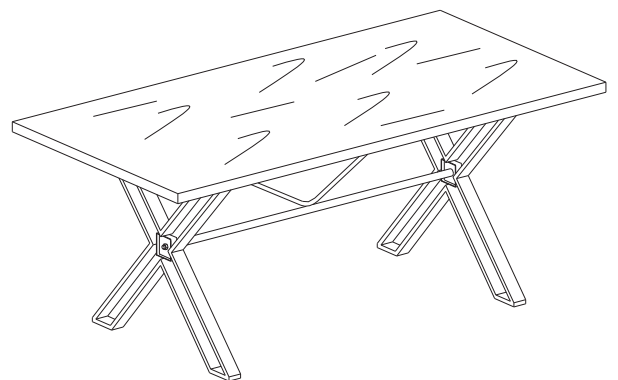
STEP 2:



STEP 3:



STEP 4:

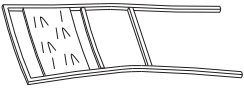
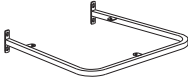

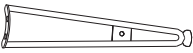



ASSEMBLY INSTRUCTION FOR ACME FURNITURE


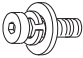
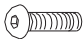

MODEL# 72347

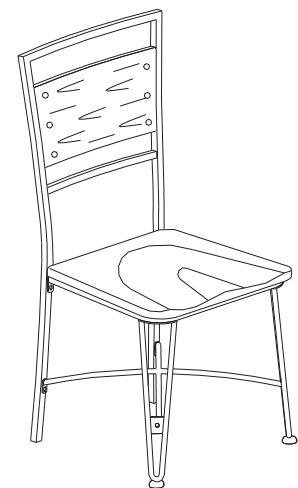
Thank you for purchasing the quality product. Be sure to check all packing material carefully for small parts which may have come loose inside the carton during shipment. Separate, identify and count all parts and metal hardware. Compare with all parts list to ensure all parts are present. If any part(s) are missing or damaged, please contact your local furniture dealer. For efficient and speedy service, please indicate the model number and code letter of part(s) needed.

Do not fully tighten screws until assembled

COMPONENT PARTS			
DESCRIPTION	PART NAME		Q'TY (PCS)
①	CHAIR BACK		1
②	SEAT FRAME		1
③	STRETCHER		1
④	LEG		2
④	SEAT		1

HARDWARES REQUIRED

- A
 ALLEN KEY - 1 PC
- B
 BOLT 1/4 " * 5/8" -10 PCS
- C
 BOLT 1/4 " * 5/8" - 2 PCS
- D
 SCREW M5 *19mm - 3PCS

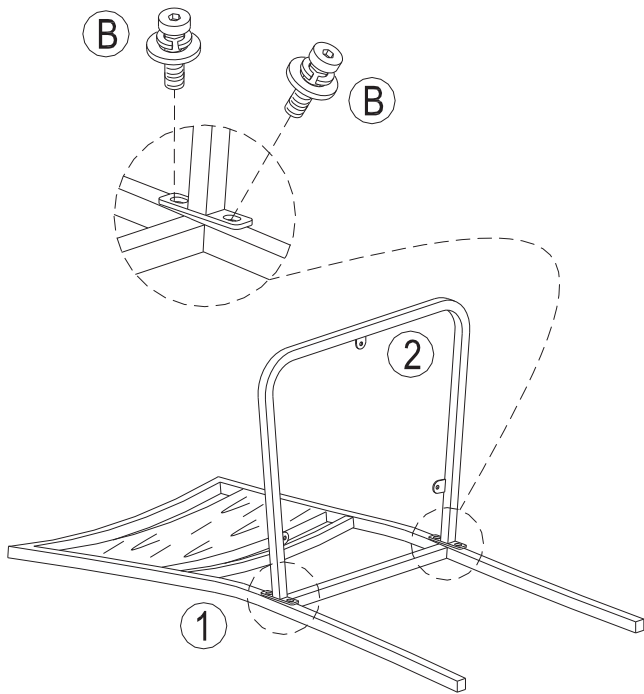


Attention:

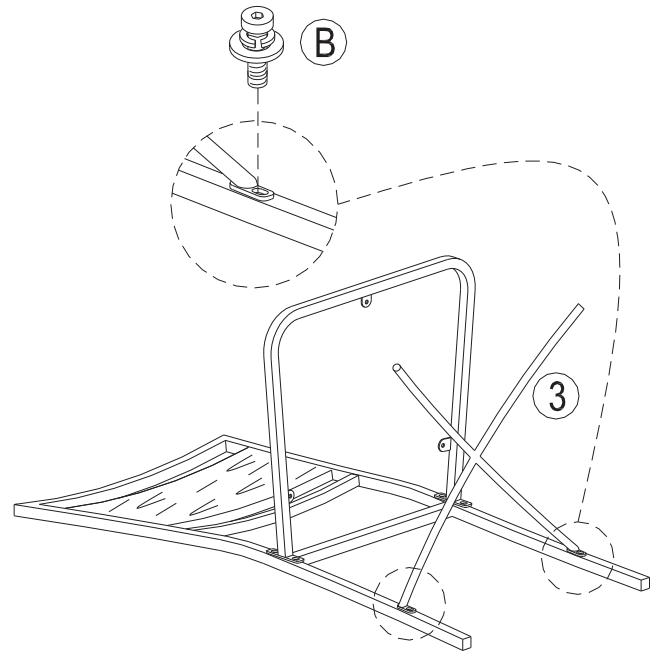
*** Some number parts listed on the instruction sheet may not be in parts bag as they may already be assembled. Carefully check parts and packing materials prior to ordering replacements.

How to assemble:

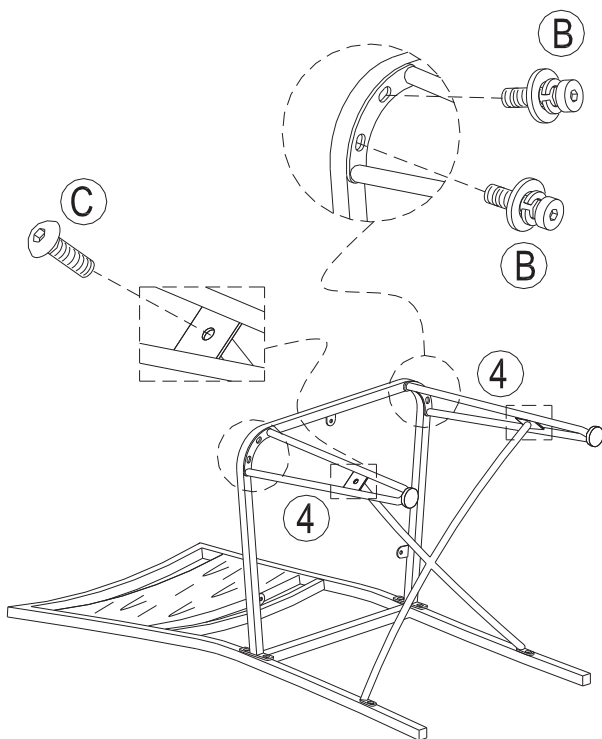
STEP 1:



STEP 2:



STEP 3:



STEP 4:

