

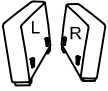


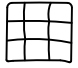


ASSEMBLY INSTRUCTIONS

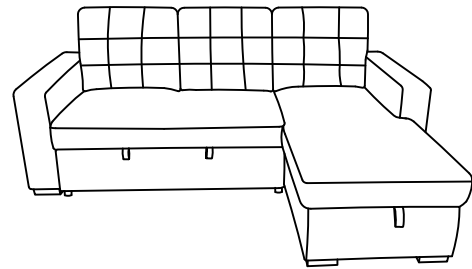
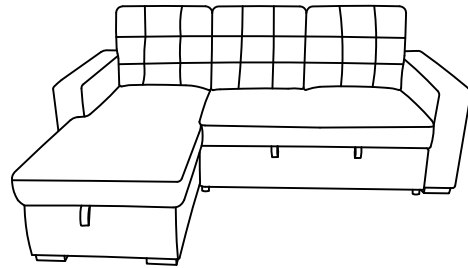
ITEM NO:55555LOV / 555556CHA

Thank you for purchasing the quality product. Be sure to check all packing material carefully for small parts which may have come loose inside the carton during shipment. Separate, identify and count all parts and metal hardware. Compare with all parts list to be sure all parts are present. If any part(s) are missing or damaged, please contact your local furniture dealer. For efficient and speedy service, please indicate the model number and code letter of part(s) needed.

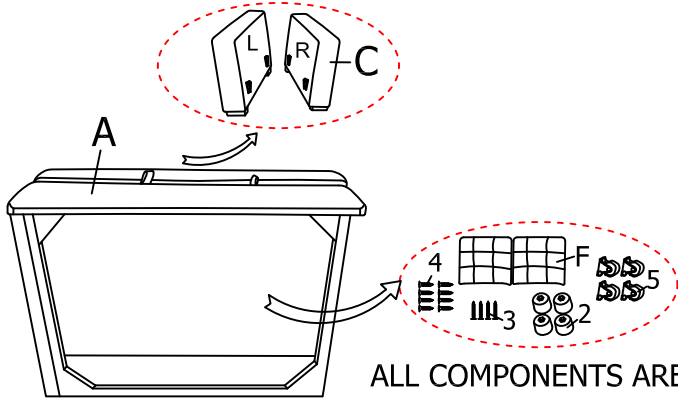
Do not fully tighten screws until fully assembled

COMPONENT PARTS		Qty
A	 LOVE	1pc
B	 CHAISE	1pc
C	 ARM	2pcs
D	 BACKREST	1pc
E	 BACKREST	1pc
F	 BACKCUSHION	3pcs

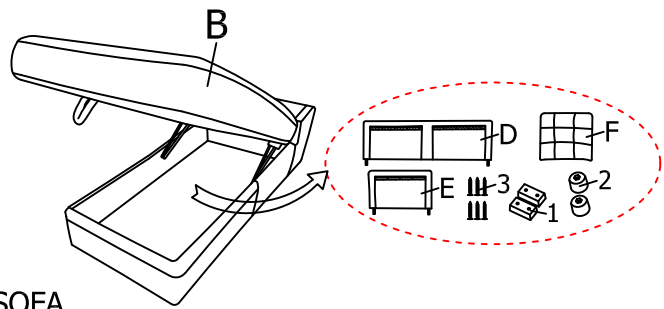
HARDWARE LIST			
1		Leg(120*85*50mm)	2pcs
2		Leg(ø50*50mm)	6pcs
3		Screw(M5*50mm)	10pcs
4		Screw(M5*25mm)	8pcs
5		Wheel(50mm)	4pcs



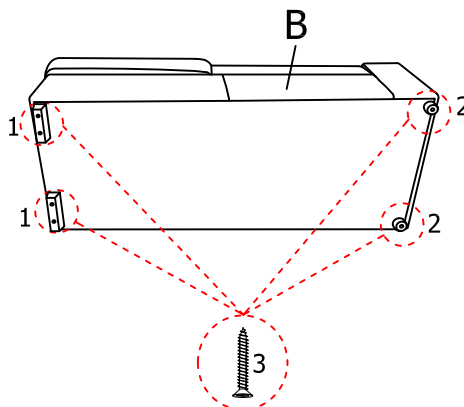
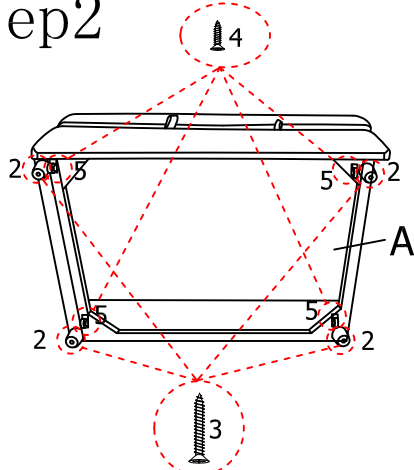
step1



ALL COMPONENTS ARE INCLUDED UNDER THE SOFA



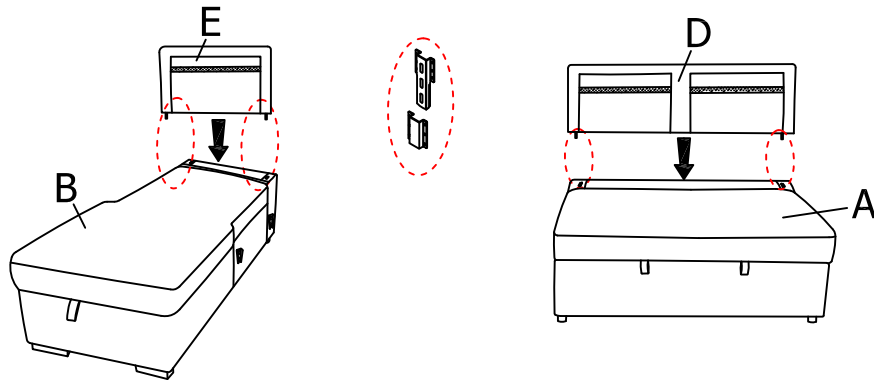
step2



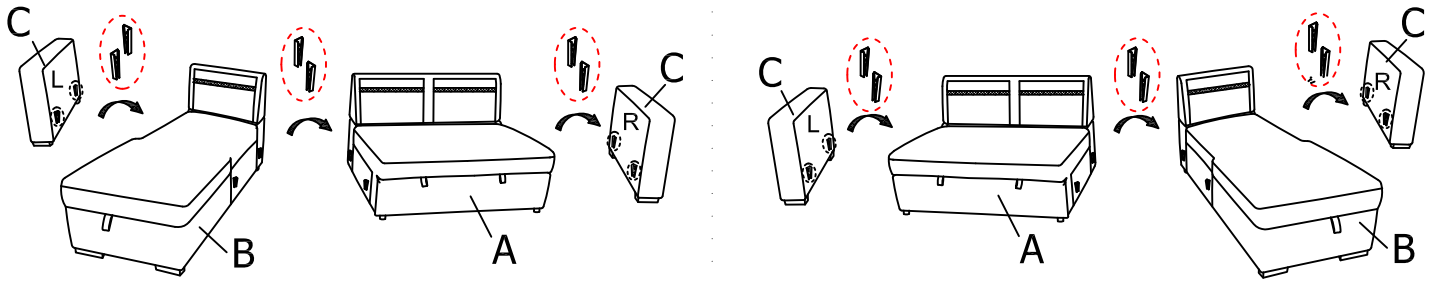
ASSEMBLY INSTRUCTIONS

ITEM NO:55555LOV / 555556CHA

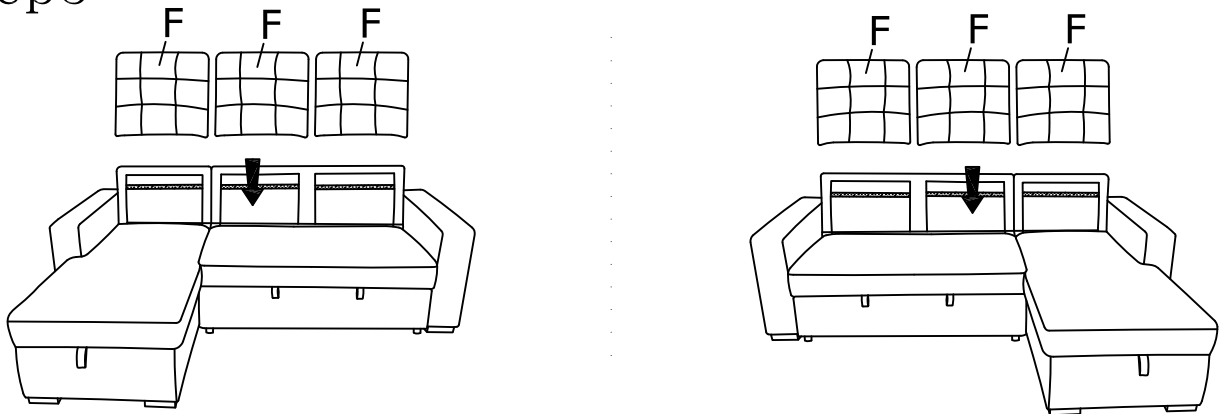
step3



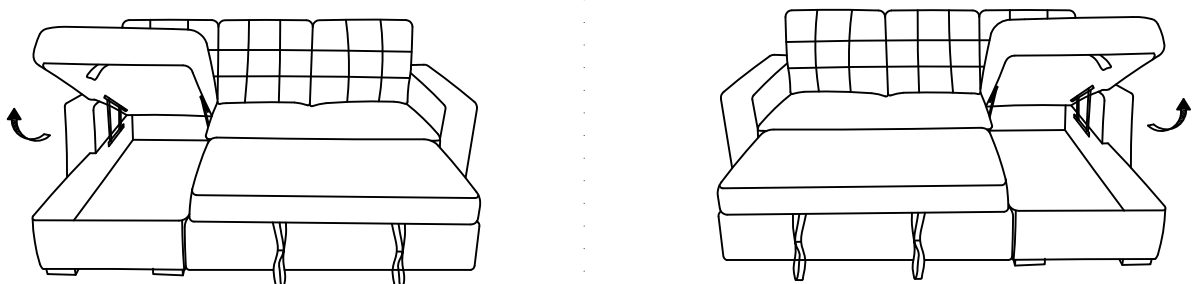
step4



step5



step6



MADE IN CHINA