

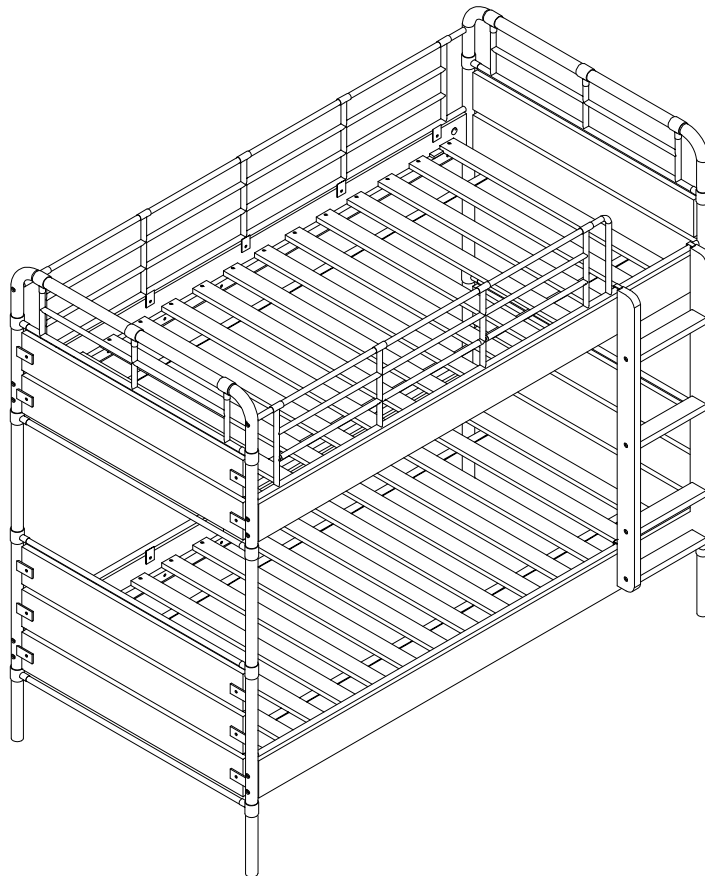
**ACME  
FURNITURE**

## **ASSEMBLY INSTRUCTIONS**

**Item No: # 37760**









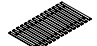
\*\*\* Thank you for purchasing this quality product. Be sure to check all packing materials carefully for small parts which may have come loose inside the carton during shipment. Identify and count all parts and compare with parts list below.

\*\*\* Assemble product on a flat, soft surface such as a carpet or cloth to prevent scratching the finish. Read all instruction and study the drawings carefully before starting the assembly process.










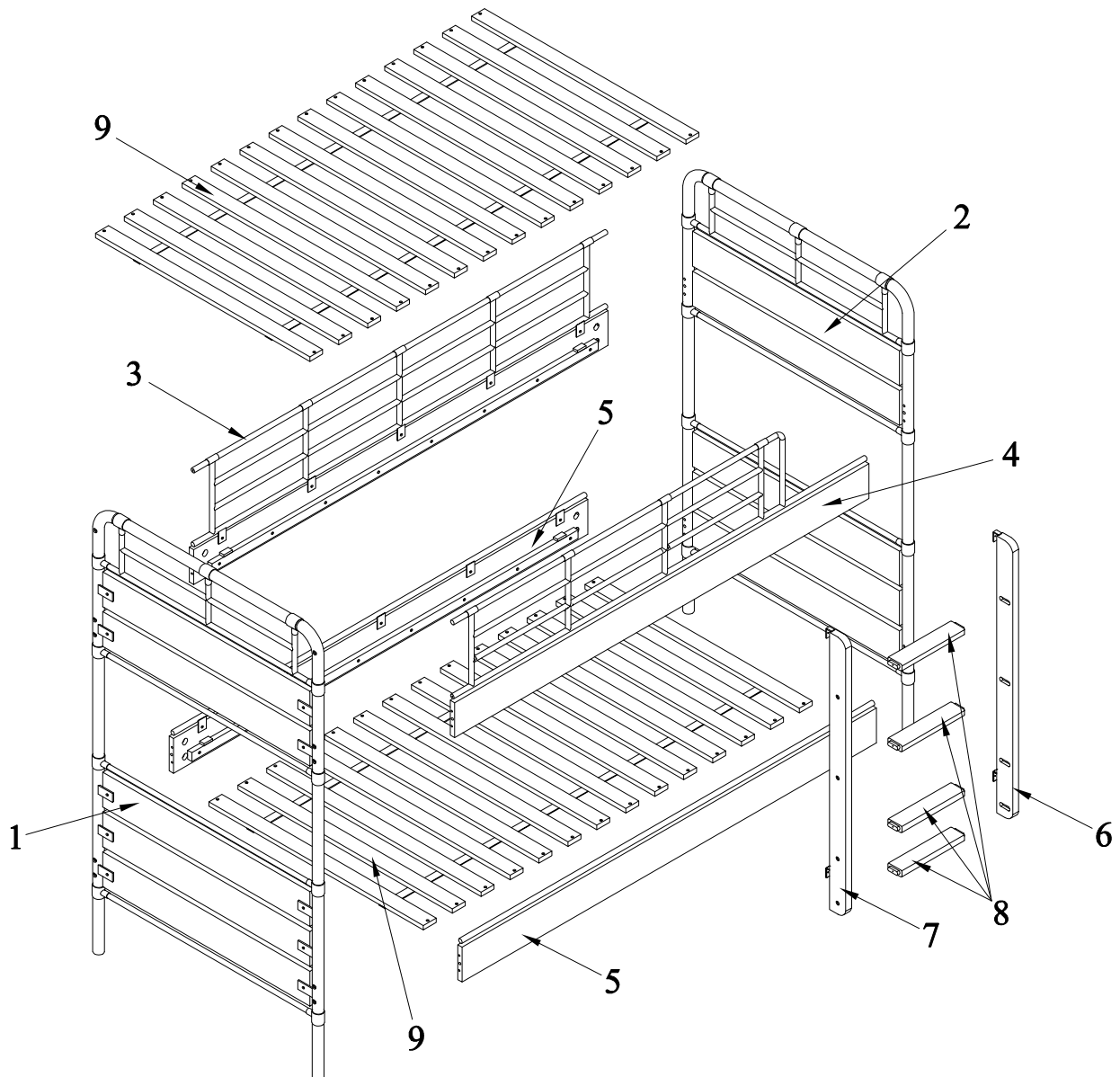
**IMPORTANT:** Do not tighten bolts completely until all bolts are completely lined up and inserted into holes

## PARTS LIST

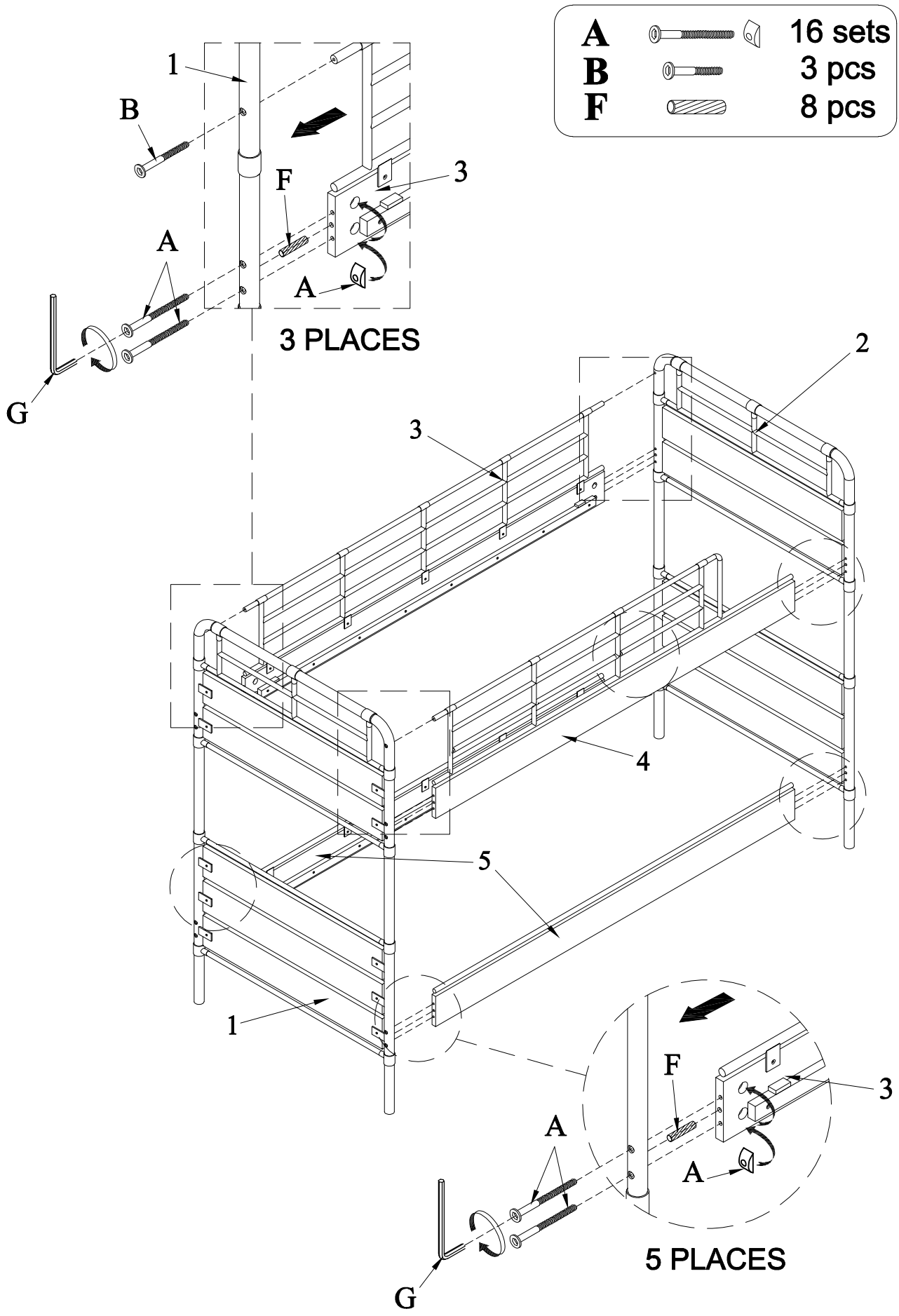
NO.	DIAGRAM	PART NAME	Q'Ty
1		Headboard (Left)	1 pc
2		Headboard (Right)	1 pc
3		Upper Front Rail	1 pc
4		Upper Back Rail	1 pc
5		Lower Front and Back Rail	2 pcs
6		Ladder Rail (Right Side)	1 pc
7		Ladder Rail (Left Side)	1 pc
8		Ladder Step	4 pcs
9		Completed Twin Slat (14pcs/1set)	2 sets

## HARDWARE LIST

NO.	DIAGRAM	PART NAME	Q'Ty
A		Bolt: 6.3 * 80 (mm) Half Round Nut	16 sets
B		Short Bolt 6.3 x 60 (mm)	3 pcs
C		Screw: 4 * 30 (mm)	56 pcs
D		Screw: 4 * 20 (mm)	4 pcs
E		Screw Bolt 7 x 50 (mm)	8 pcs
F		Wood Dowel 10 x 40 (mm)	8 pcs
G		Allen Key (M4)	1 pc

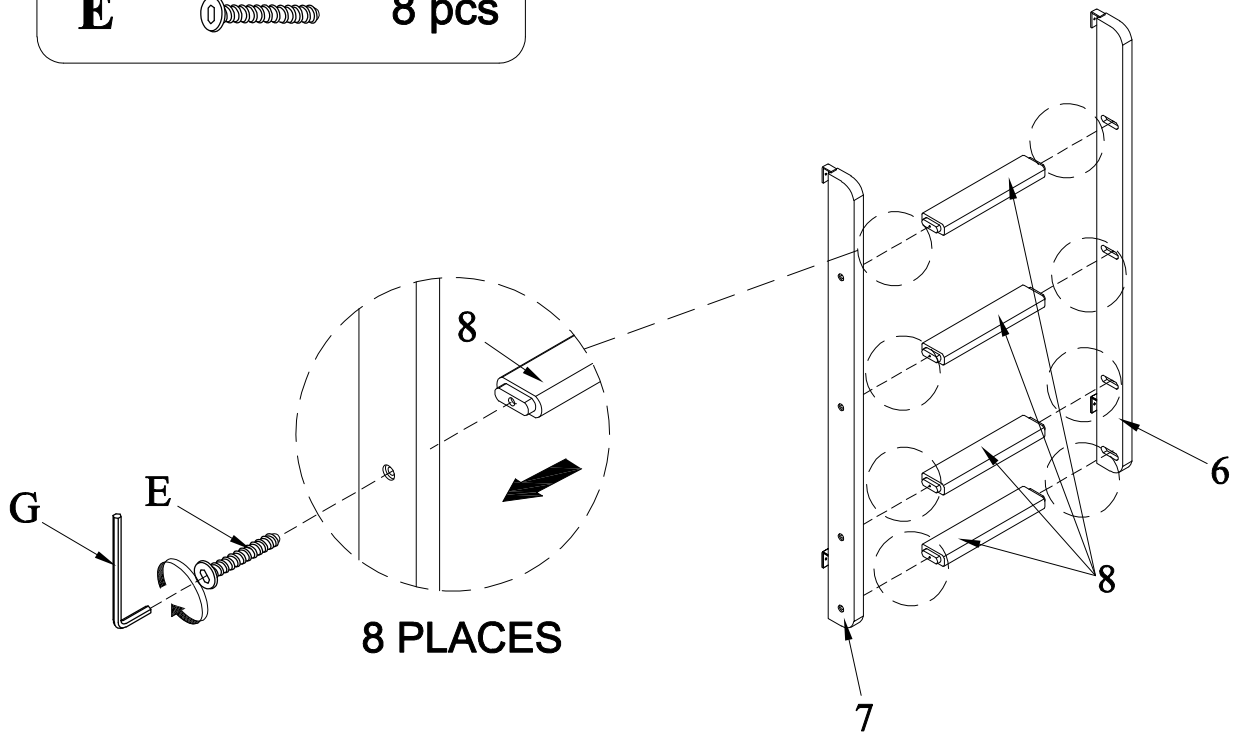


# STEP 1: HEADBOARD (Left + Right) ASSEMBLY




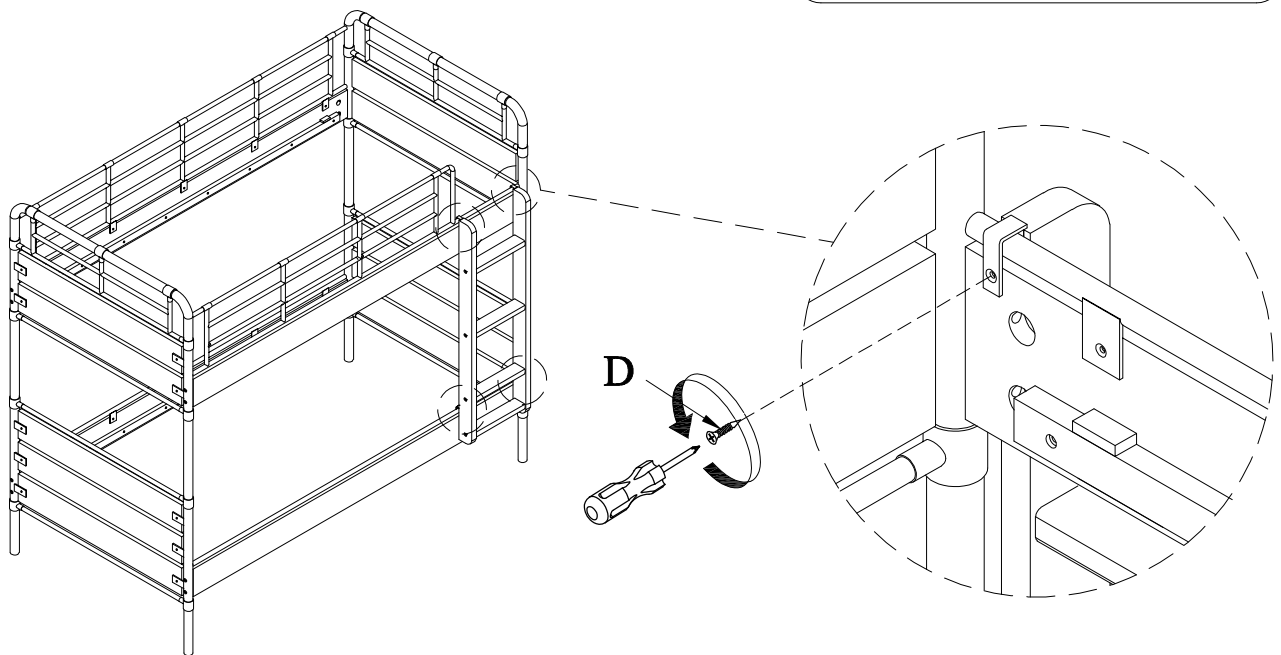
## STEP 2: LADDER ASSEMBLY

**E**  8 pcs




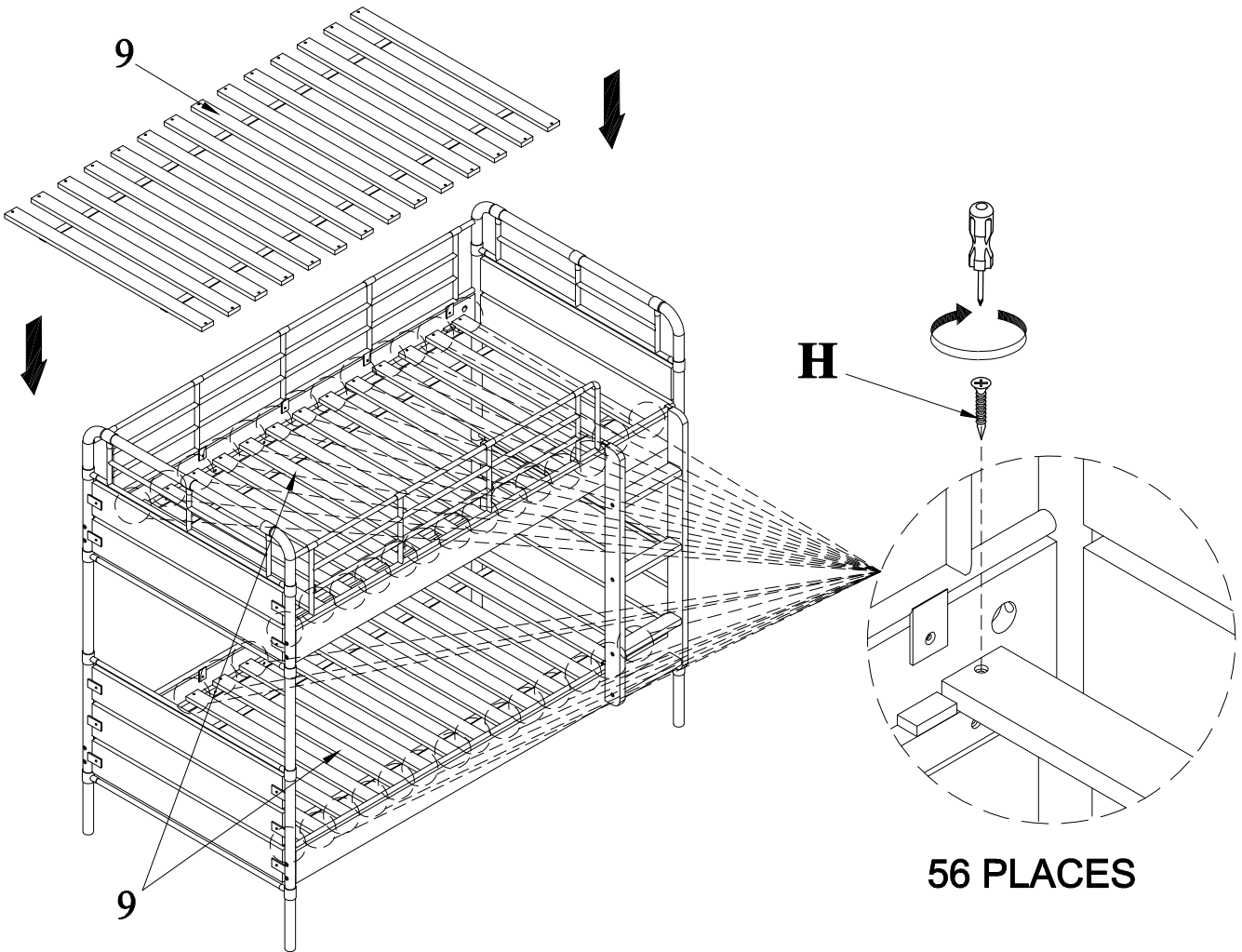
## STEP 3: COMPLETED LADDER ASSEMBLY

**D**  4 pcs

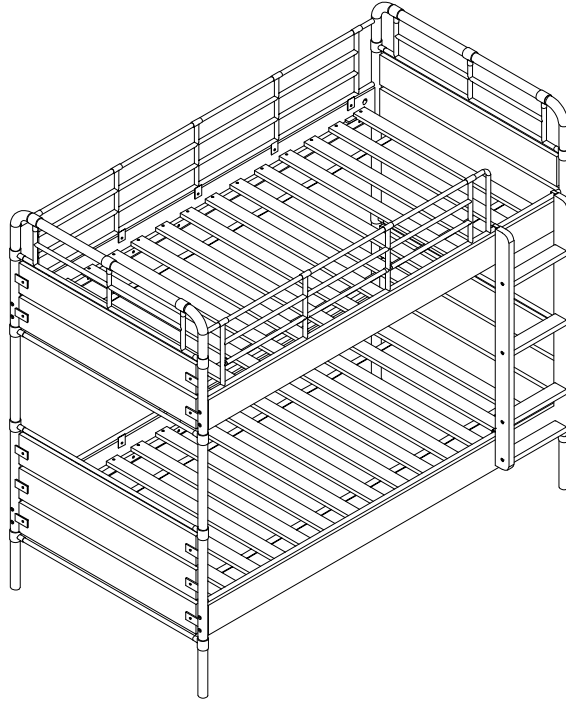


**STEP 4: COMPLETED TWIN SLAT ASSEMBLY**

**H**  **56 pcs**



## **STEP 10:**



# **ASSEMBLY IS COMPLETED**

## **WARNING !!!**

To help prevent serious or fatal injuries from entrapment or falls:

1. Follow the information on the warning label appearing on the upper bunk end structure and on the carton. Do not remove warning label from bed.
2. Use only mattress which is 39" WIDE AND 75" LONG ON UPPER BUNK.
3. Ensure thickness of upper mattress does not exceed 6" and top surface of mattress is at least 5" below the upper edge of guardrails.
4. Do not allow children under 6 years to use the upper bunk.
5. Periodically check and ensure that the guardrail, ladder, and other components are in their proper position, free from damage, and that all connectors are tight.
6. Do not allow horseplay on or under the bed and prohibit jumping on the bed.
7. Always use ladder for entering and leaving upper bunk.
8. Do not use substitute parts. Contact the manufacturer or dealer for replacement parts.
9. Use of a night-light may provide added safety precaution for a child using the upper bunk.
10. Always use guardrails on both long sides of the upper bunk. If the bunk bed will be placed next to a-wall, the guardrail that runs the full length of the bed should be placed against the wall to prevent entrapment between the bed and the wall.
11. The use of water or sleep flotation mattresses is prohibited.

### **STRANGULATION HAZARD:**

12. Never attach or hang items to any part of the bunk bed that are not designed for use with the bed, for example, but not limited to, hooks, belts and jump ropes.
13. Prohibit more than one person on upper bunk.
14. Maximum total weight not to exceed-150 lbs on the upper bunk, and maximum 200 lbs on lower bunk.
15. Keep these instructions for future reference.

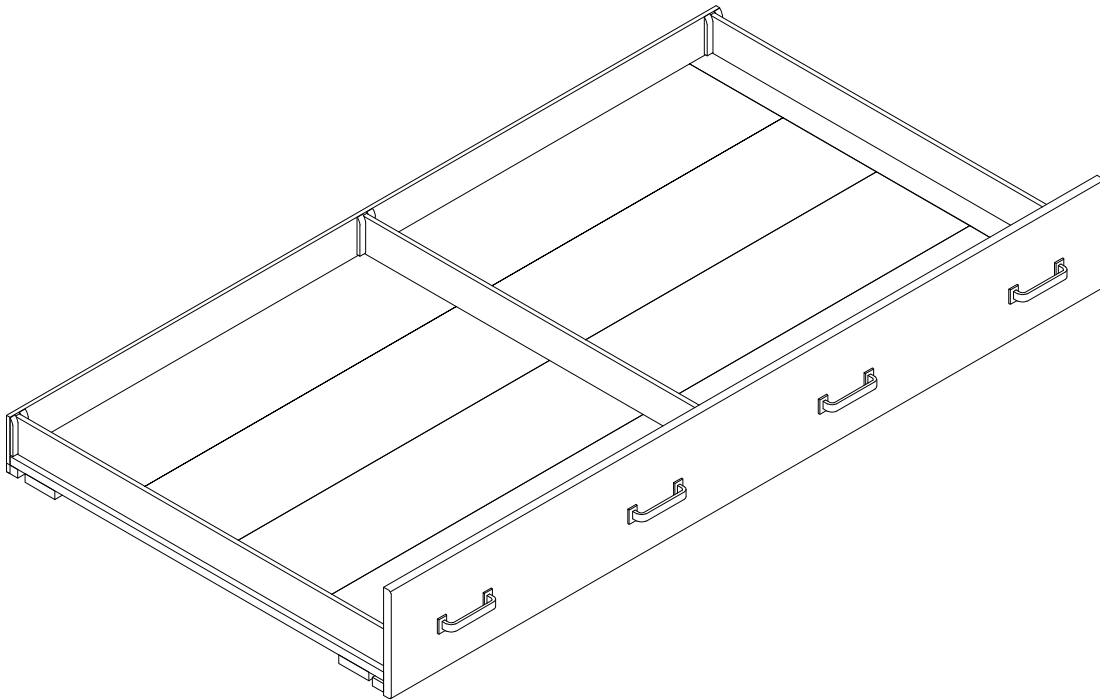


# ASSEMBLY INSTRUCTIONS

Item No: # 37762







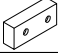
\*\*\* Thank you for purchasing this quality product. Be sure to check all packing materials carefully for small parts which may have come loose inside the carton during shipment. Identify and count all parts and compare with parts list below.

\*\*\* Assemble product on a flat, soft surface such as a carpet or cloth to prevent scratching the finish. Read all instruction and study the drawings carefully before starting the assembly process.







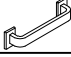





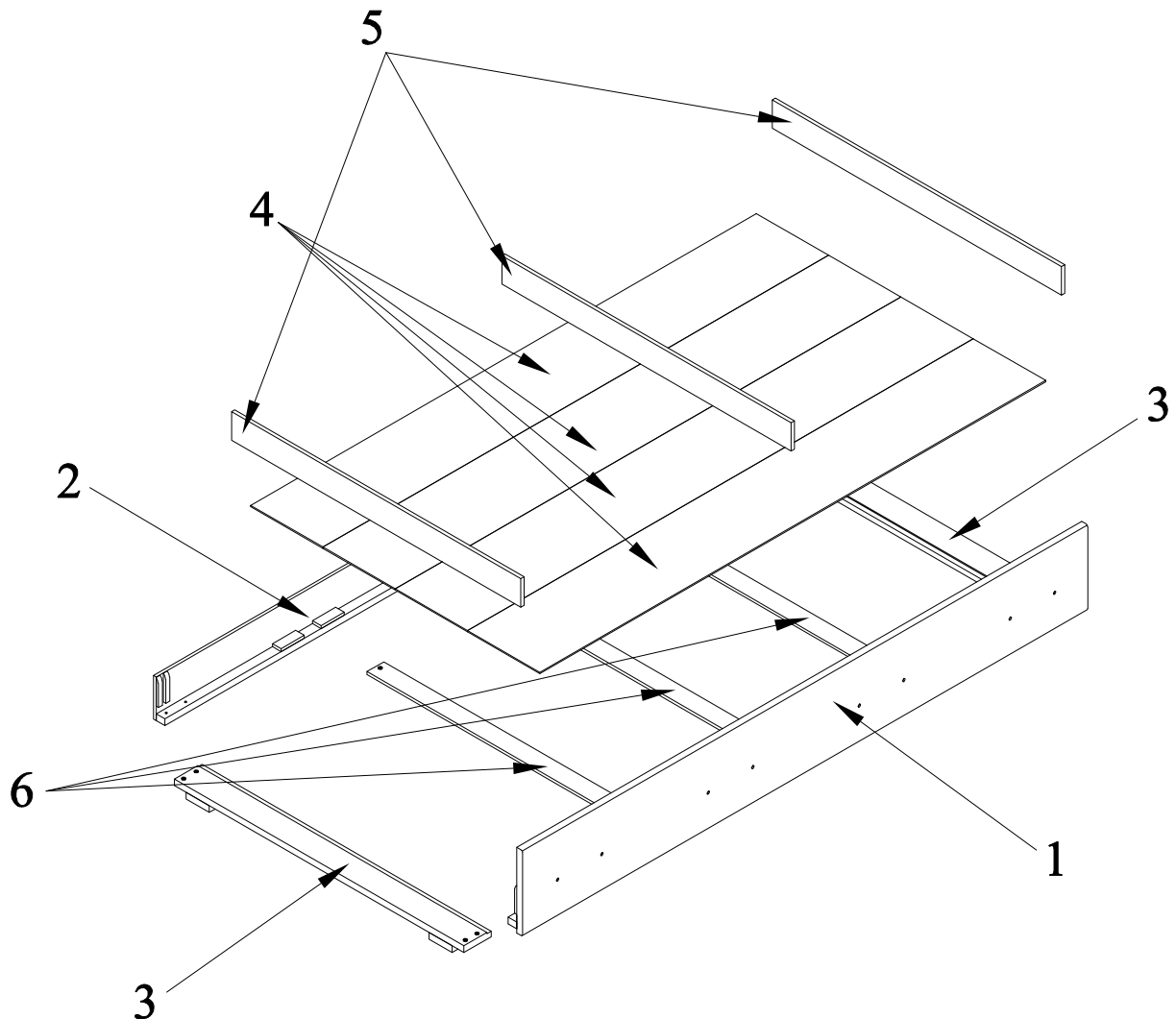
**IMPORTANT:** Do not tighten bolts completely until all bolts are completely lined up and inserted into holes

## PARTS LIST

No	DIAGRAM	PART NAME	Q'Ty
1		Front trundle bed	1 pc
2		Back trundle bed	1 pc
3		Side trundle bed	2 pcs
4		Complete bottom panel (4pcs/1set)	1 set
5		Partition	3 pcs
6		Slat	3 pcs
7		Wood Stop	2 pcs

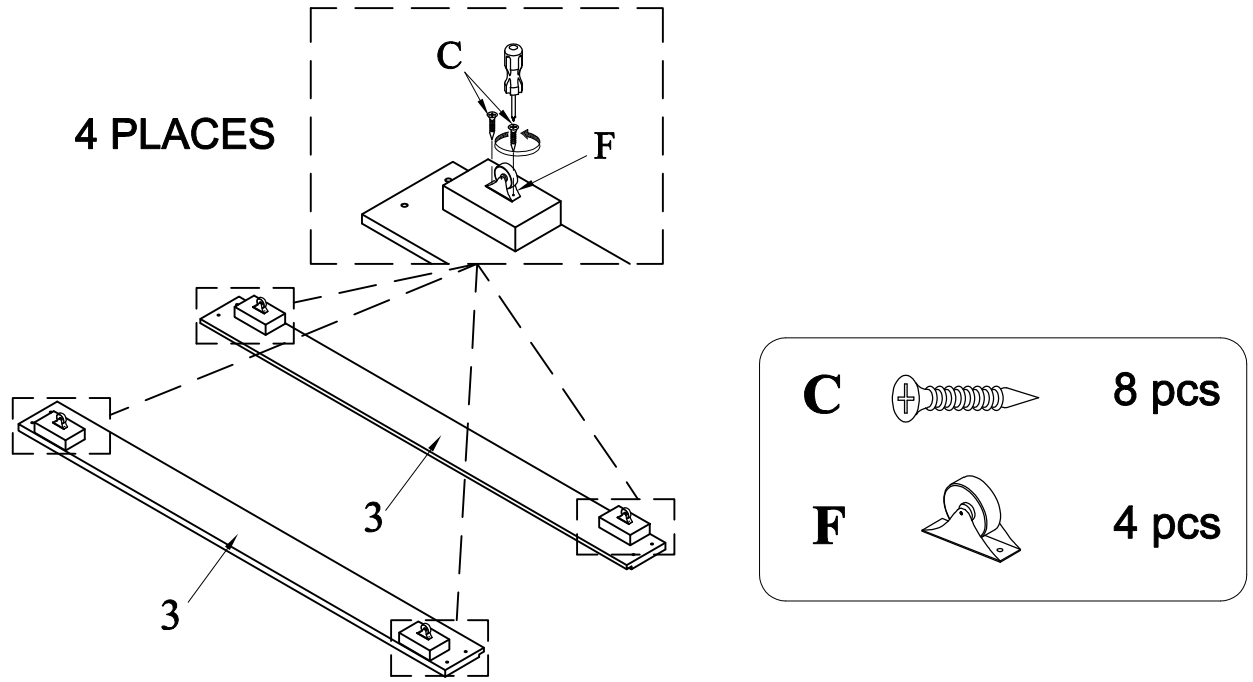
## HARDWARE LIST

No	DIAGRAM	PART NAME	Q'Ty
A		Bolt: 6.3 * 35 (mm)	8 pcs
B		Screw: 4 * 30 (mm)	10 pcs
C		Screw: 4 * 20 (mm)	8 pcs
D		Screw: 4 * 15 (mm)	8 pcs
E		"L" shape connection bracket	2 pcs
F		Wheel	4 pcs
G		Handle	4 pcs
H		Bolt	8 pcs
I		Flat Washer	8 pcs
J		Allen Key (M4)	1 pc

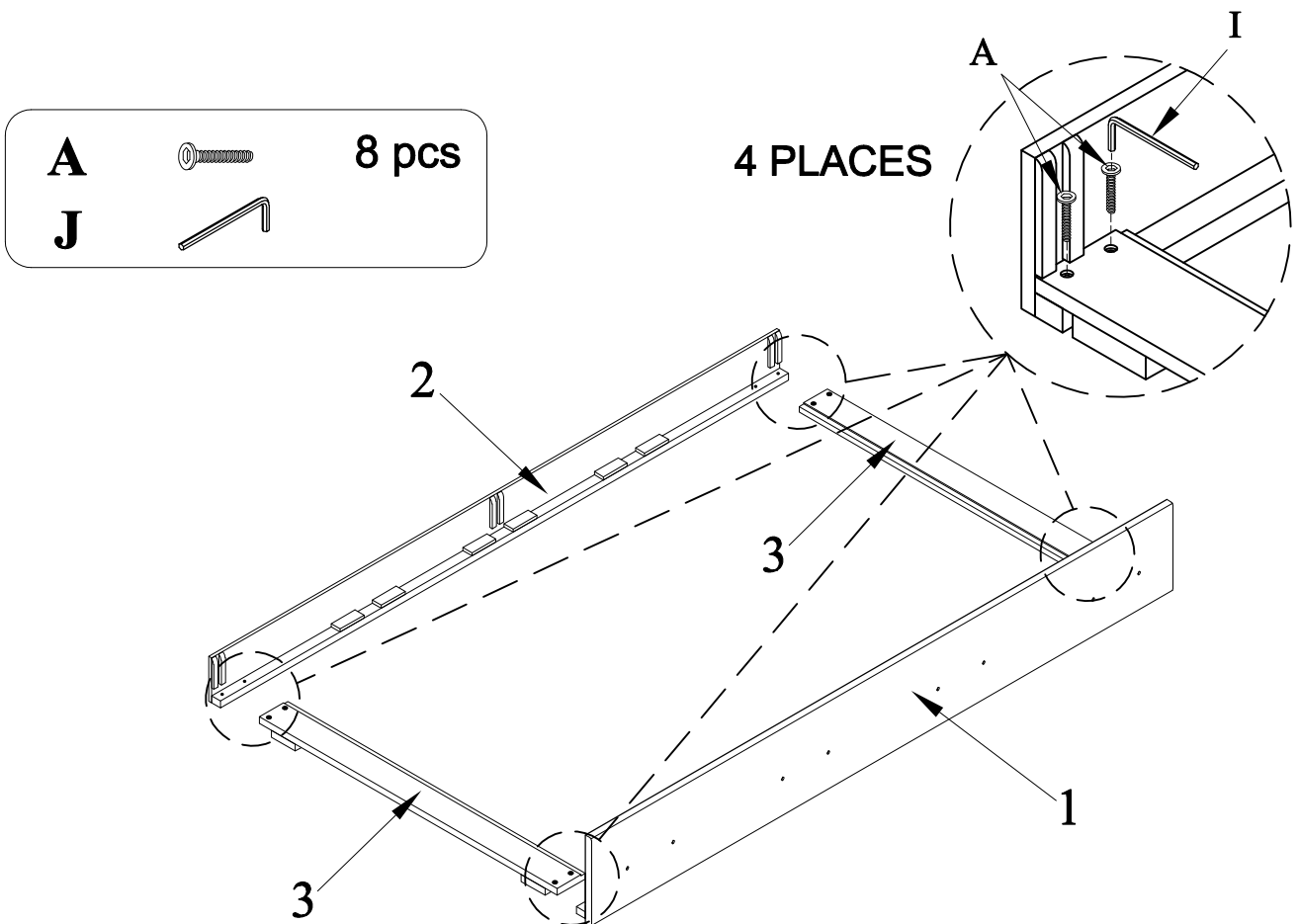




**STEP 1: WHEEL ASSEMBLY**

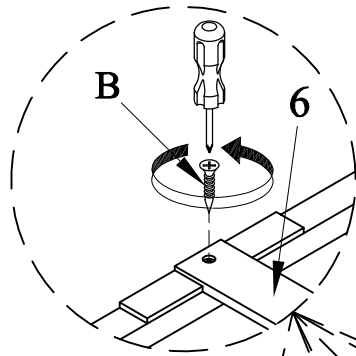


**STEP 2: FRONT, BACK & SIDE TRUNDLE BED ASSEMBLY**

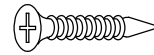


### **STEP 3: SLAT ASSEMBLY**

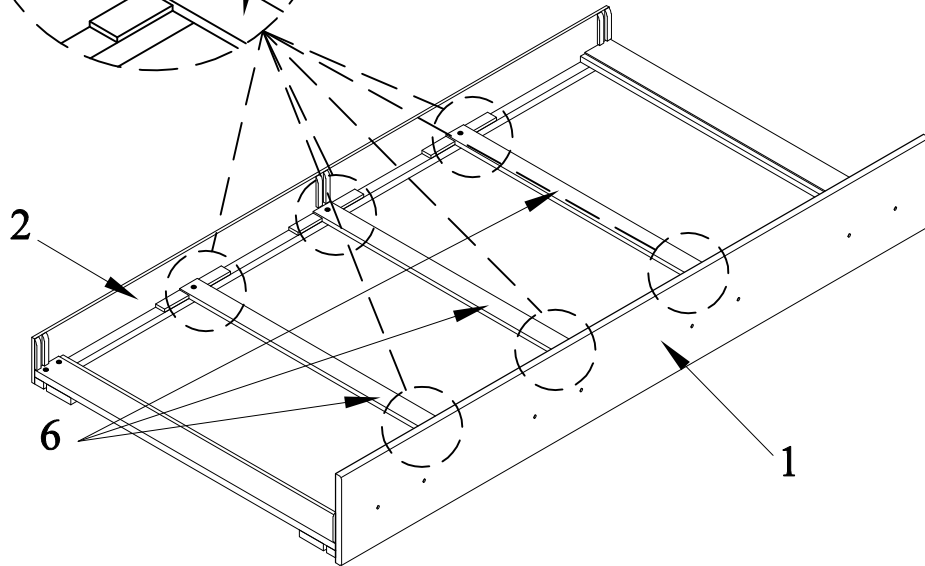
6 PLACES



**B**

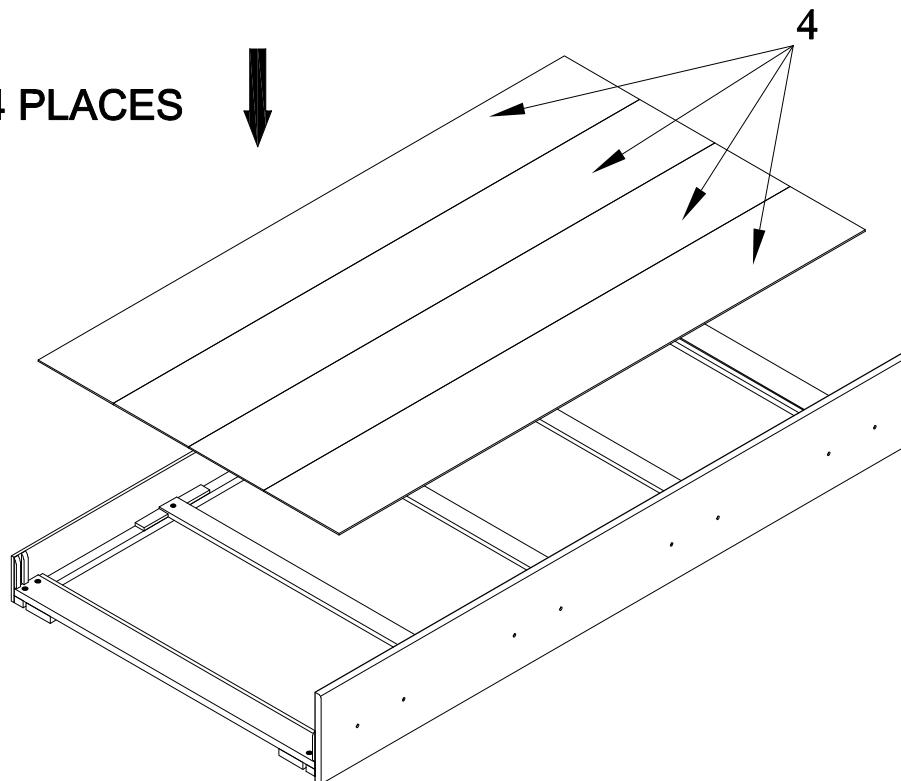


6 pcs



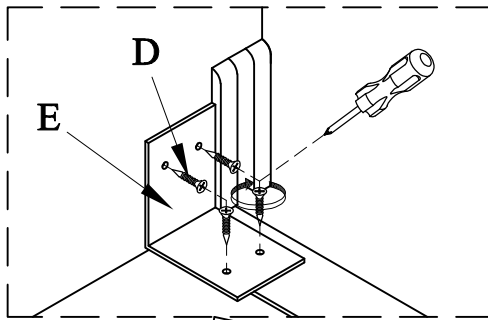
### **STEP 4: COMPLETE BOTTOM PANEL ASSEMBLY**

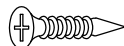
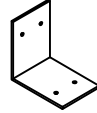
4 PLACES

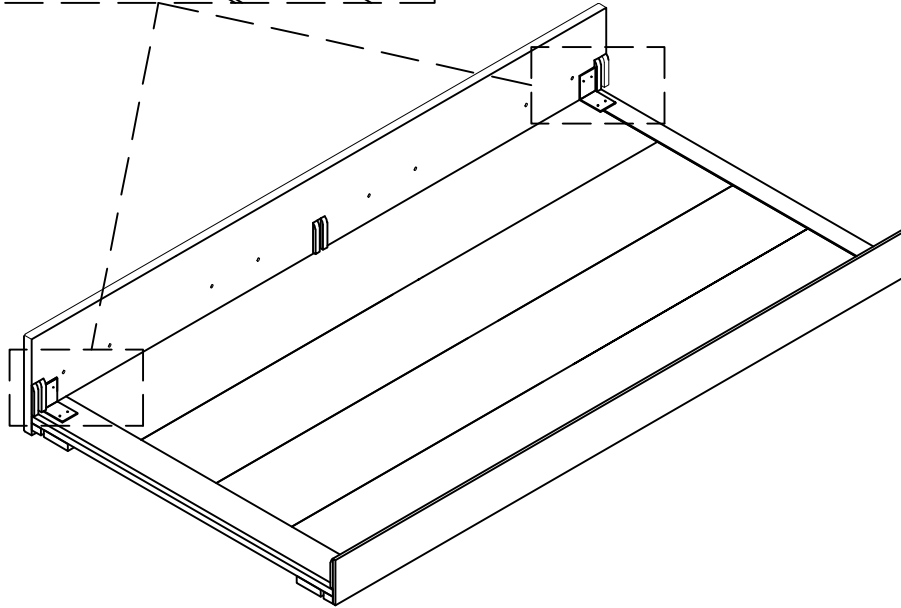


**STEP 5: "L" SHAPE CONNECTION BRACKET ASSEMBLY**

2 PLACES

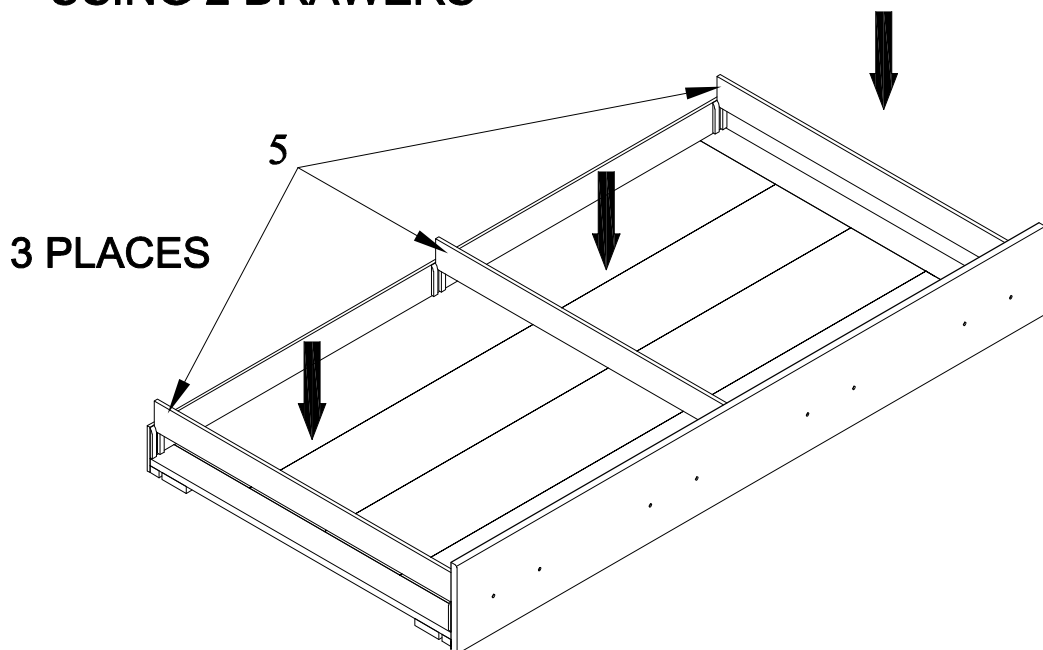


- |          |   |       |
|----------|---|-------|
| <b>D</b> |  | 8 pcs |
| <b>E</b> |  | 2 pcs |

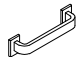
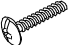



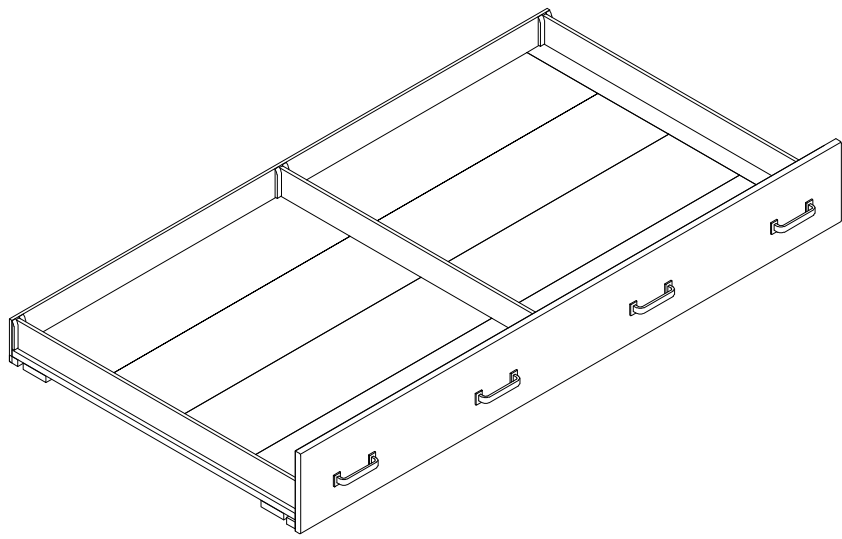
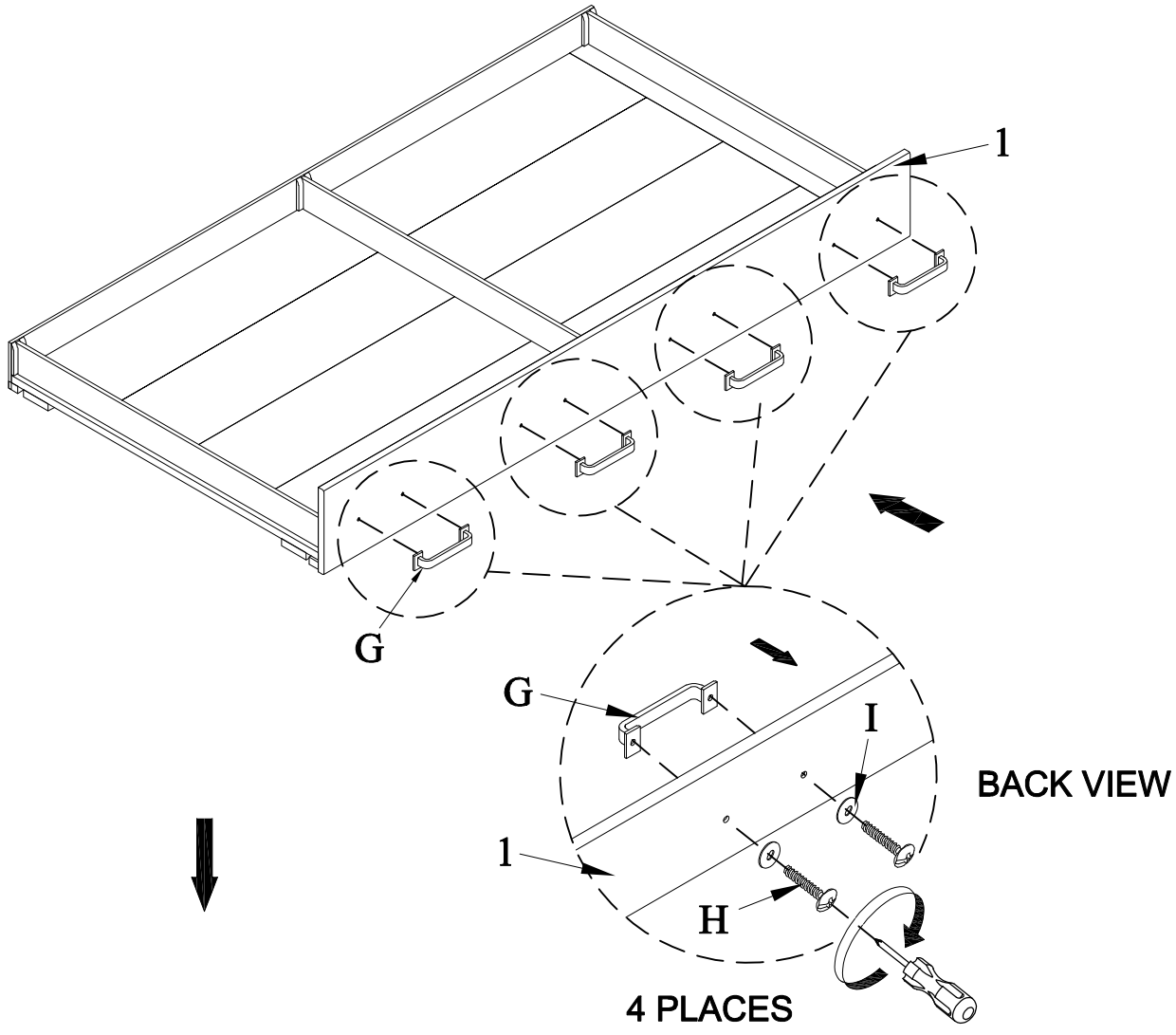
**STEP 6:**

IF ADD PARTITION (3PCS), AND THEN CAN BE USING 2 DRAWERS

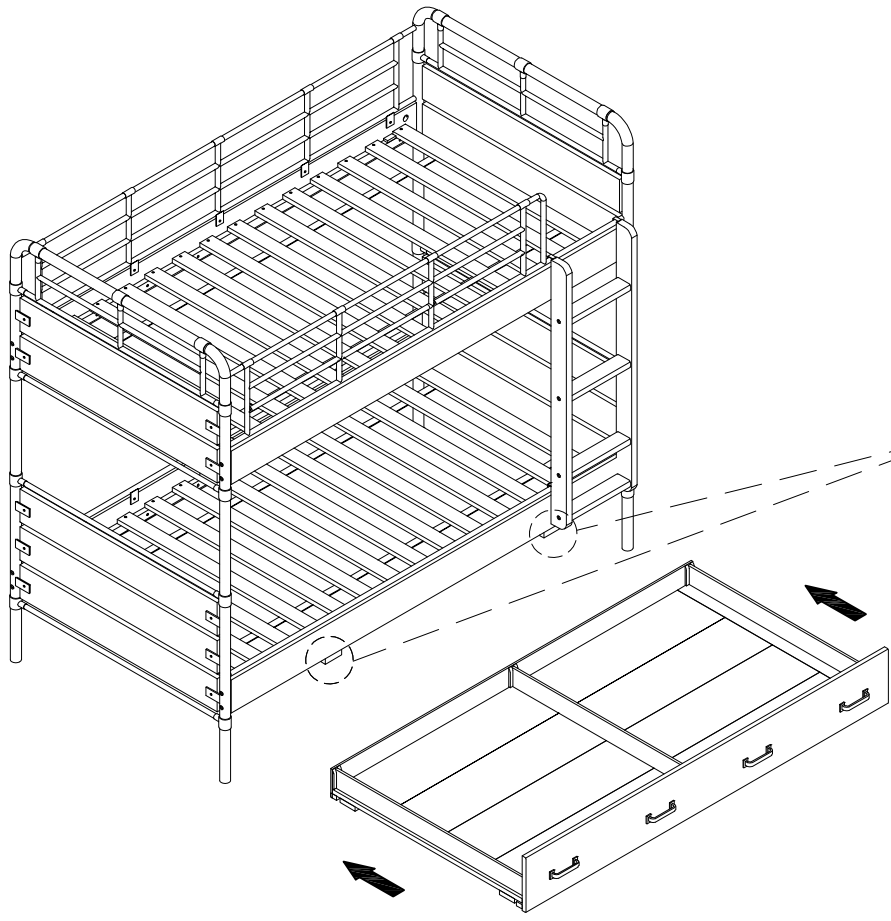


# STEP 7: ASSEMBLY HANDLE FRONT TRUNDLE BED

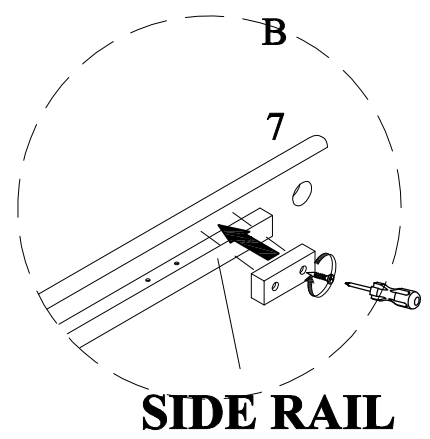
<b>G</b>		4 pcs
<b>H</b>		8 pcs
<b>I</b>		8 pcs





**STEP 8: ASSEMBLY WOOD DOWEL**

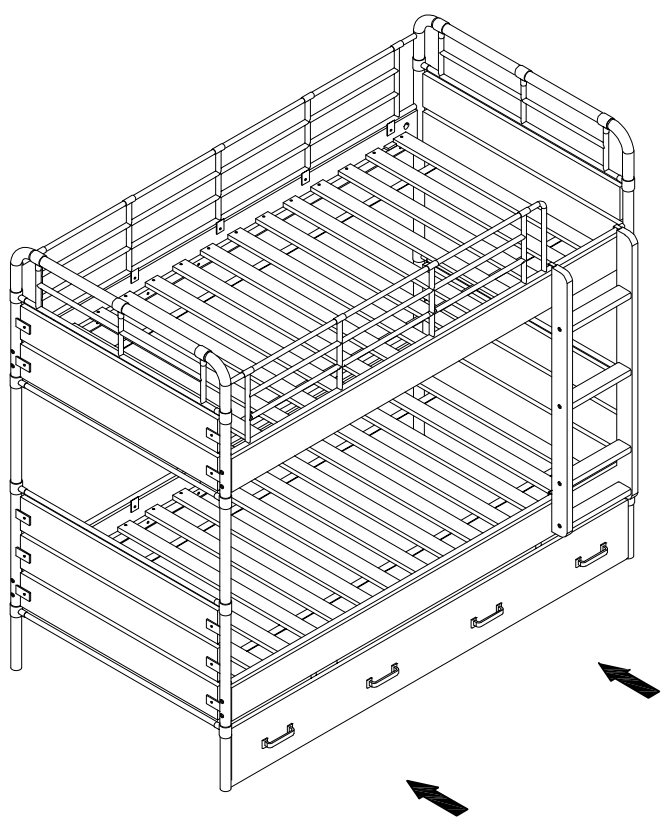


2 PLACES



<b>B</b>		4 pcs
<b>7</b>		2 pcs

**STEP 9:**



**ASSEMBLY IS COMPLETED**