

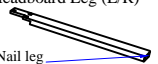





# ASSEMBLY INSTRUCTIONS

**MODEL : 0240A  
KING (4+8)**


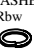




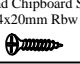

**(Box 1)  
BOX OF HEADBOARD & FOOTBOARD**

No	ITEM	Qty
A	Headboard 	1 pc
B	Footboard 	1 pc
C	Headboard Leg (L/R)  Nail leg	1 pc
D	Bed Slats 	4 pcs
E	Bed Slats Support 	8 pcs

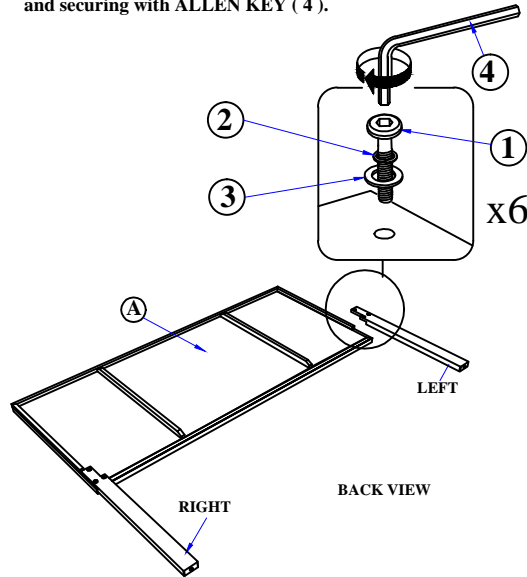
**(Box 2)  
BOX OF SIDE RAIL**

No	ITEM	Qty
F	Side Rail 	2 pcs

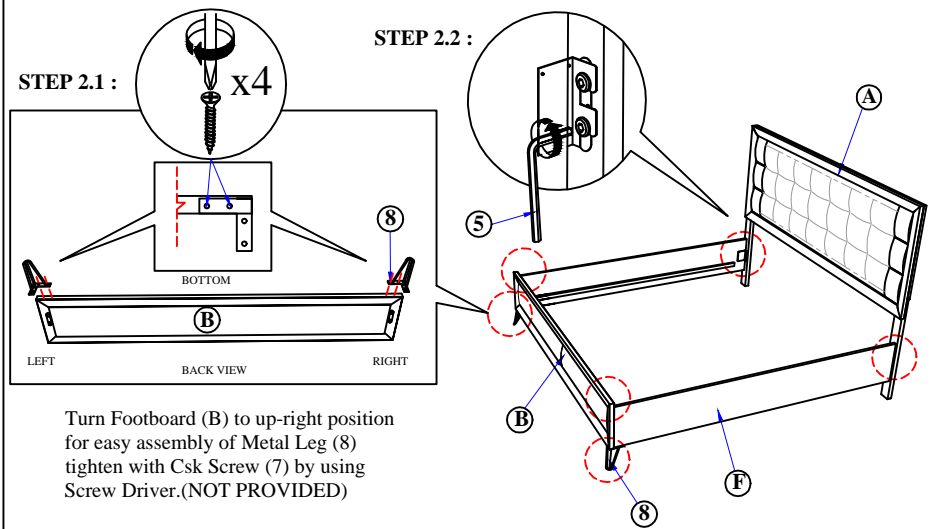
**(Box 1)  
HARDWARE LIST**

No	ITEM	Qty
1	JCBC M6 x 30mm 	6 pcs
2	SPRING WASHER 1/4" Rbw 	6 pcs
3	Flat Washer 1/4"TD x 13mmOD Blk 	6 pcs
4	ALLEN KEY m4x65mm Blk 	1 pc
5	ALLEN KEY m5x65mm Blk 	1 pc
6	Flat Head Chipboard Screw m4x32mm Rbw 	8 pcs
7	Flat Head Chipboard Screw m4x20mm Rbw 	4 pcs
8	Metal leg 	2 pcs

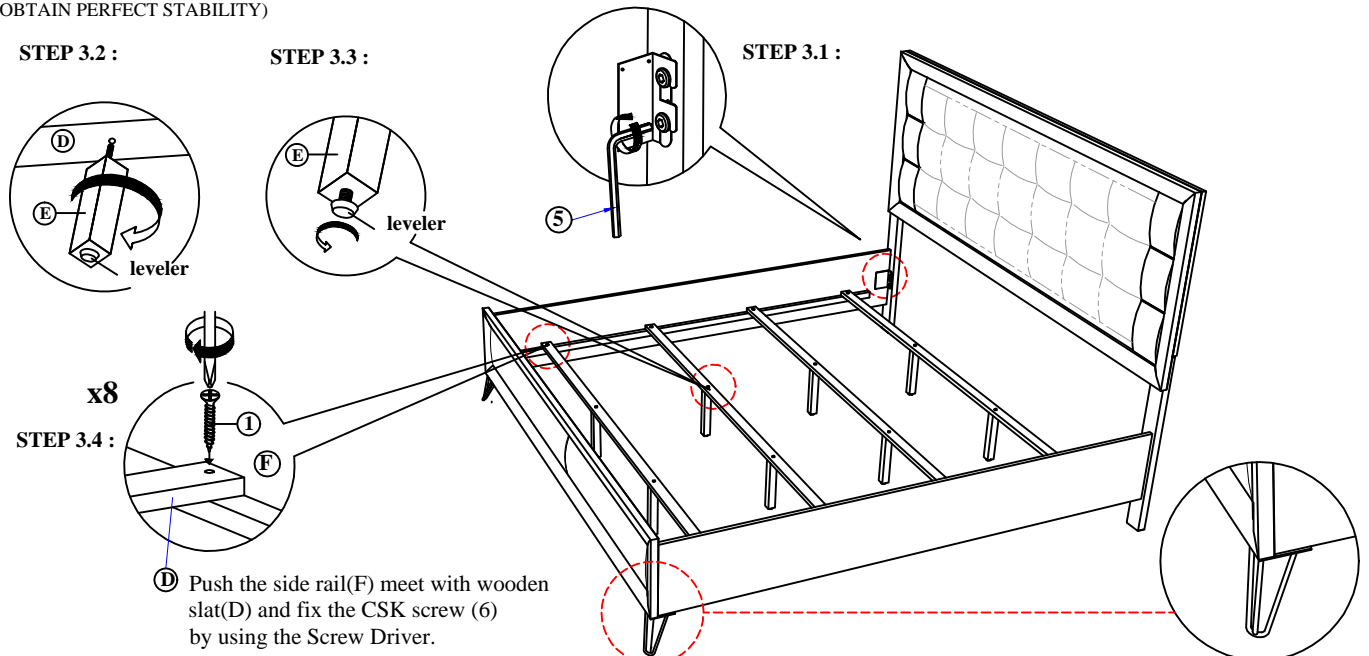
**STEP 1 :** Attach Head Board Leg ( C ) to Head Board ( A ) as shown using JCBC BOLT ( 1 )with Spring Washer ( 2), Flat washer ( 3 ) and securing with ALLEN KEY ( 4 ).



**STEP 2 :** Hook SIDE RAIL ( F ) TO HEAD BOARD ( A ) closely and push down to fit. repeat step 2 with other end of rail to hook onto FOOTBOARD ( B ).



**STEP 3 :** Tighten the 4 Corner with Allen Key (5).Fix the Bed Slat Support Leg ( E ), to Bed Slat ( D ) as shown . Install the bed slat ( D ) to side rail ( F ) and tighten with Csk Screw ( 6 ) as per diagram shown. (NOTE: THE SETUP MUST DONE AT THE DECIDED LOCATION FOR THE BED TO OBTAIN PERFECT STABILITY)



**NOTE :** MUST TIGHTEN SCREWS PERIODCALLY WITH USE SCREW WILL BECOME LOOSE CHECK TIGHTNESS OF ALL SCREW EVERY 6-8 WEEKS.