

TECHNICAL SPECIFICATION

COLOURS

MFC ELEMENTS



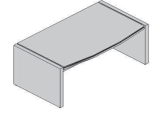
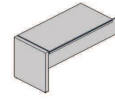
31 CANADIAN OAK



34 CHESTNUT



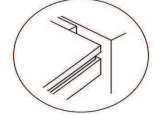
106 LOWLAND NUT



THICKENER



154 ANTHRACITE



COLUMN COLOUR



08 BLACK



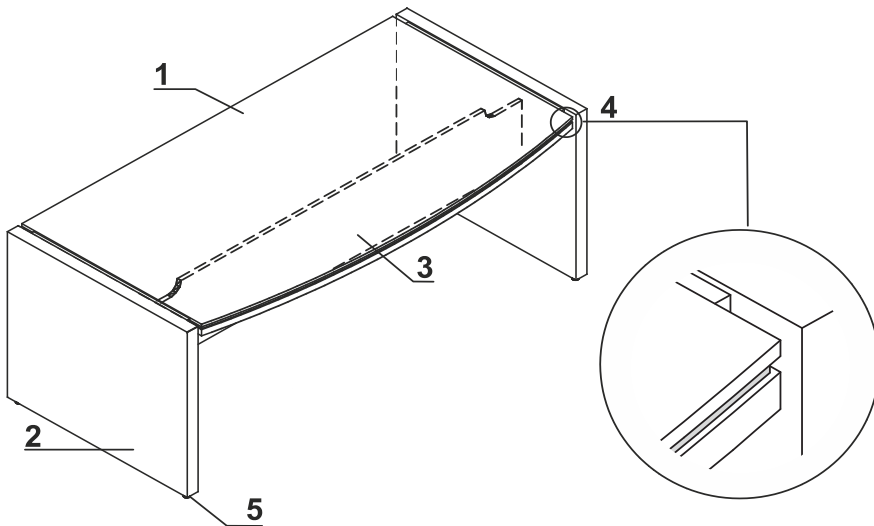
09 ALUMINUM



15 HIGH GLOSS WHITE



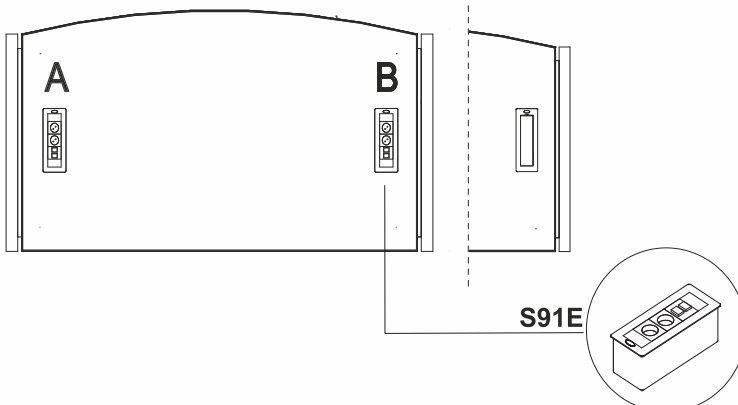
DESKS



1. **Worktop** - MFC 2" (4/8" + 4/8" + 1 1/8"), PVC edge
2. **Base** - MFC 2 1/8", PVC edge
3. **Modesty panel** - MFC 6/8", PVC edge
4. **Thickening element** - MFC 4/8", clour 154 - anthracite
5. **Leveling** - 3/8"

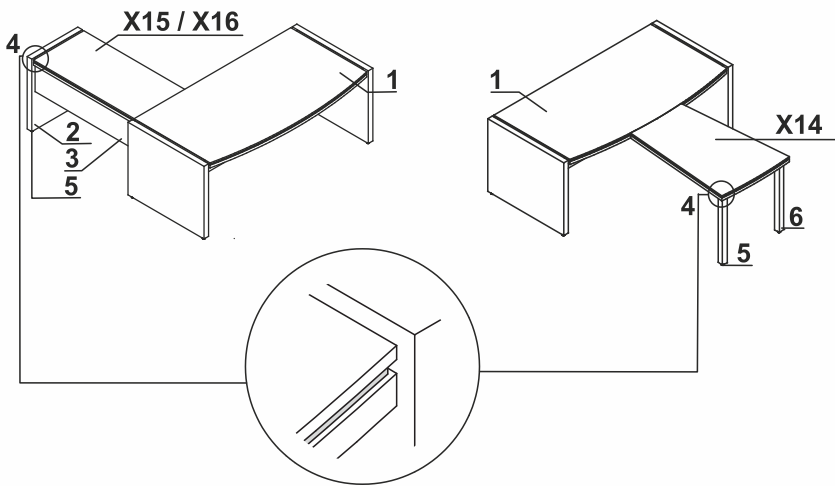
POSSIBLE MEDIAPORT LOCATION

Mediaport S91E - location A, B (1pc)  
2x 110V, 2x RJ45



**TECHNICAL SPECIFICATION**

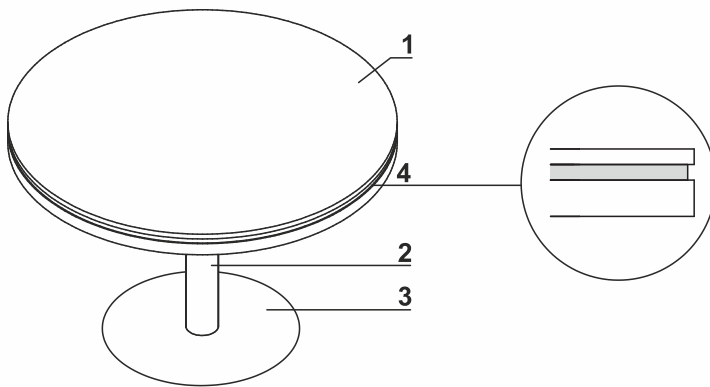
**DESK EXTENSTIONS**



1. **Worktop** - MFC 2" (4/8" + 4/8" + 1 1/8"), PVC edge
2. **Base** - MFC 2 1/8", PVC edge
3. **Modesty panel** - MFC 6/8", PVC edge
4. **Thickening element** - MFC 4/8", clour 154 - anthracite
5. **Leveling** - 2/8" range
6. **Base** - MFC 2 3/8" x 2 3/8", PVC edge

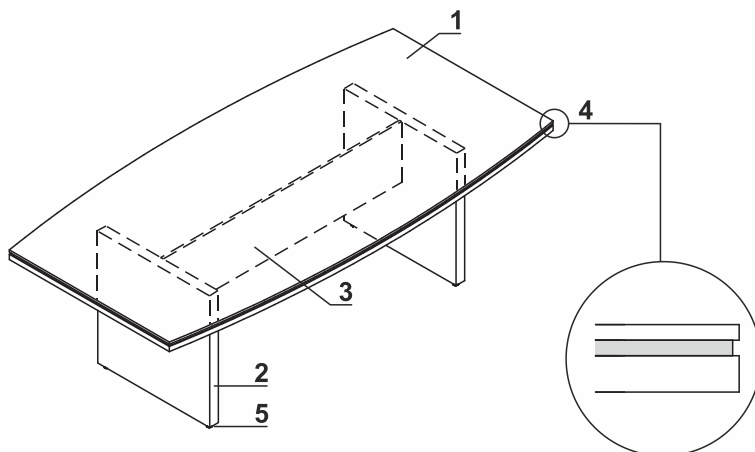
ATTENTION

**DISC BASE MEETING TABLES**



1. **Worktop** - MFC 2" (4/8" + 4/8" + 1 1/8"), PVC edge
2. **Column** - powder coated steel
3. **Disc** - stainless steel
4. **Thickening element** - MFC 4/8", clour 154 - anthracite

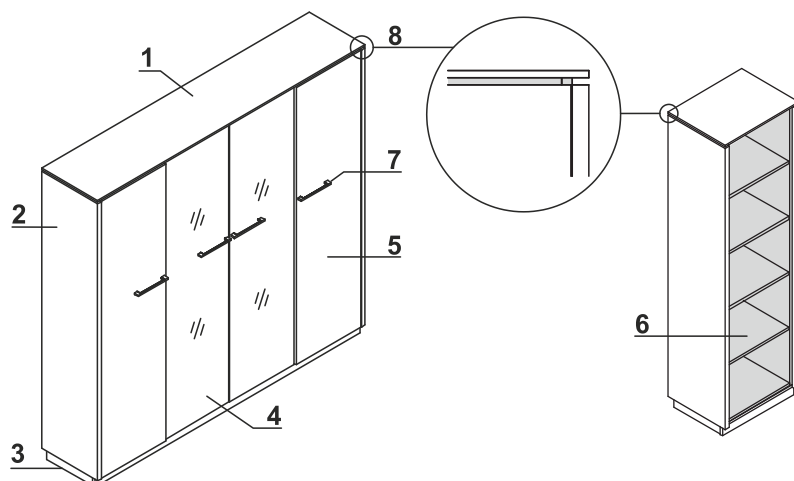
**MFC BASE MEETING TABLES**



1. **Worktop** - MFC 2" (4/8" + 4/8" + 1 1/8"), PVC edge
2. **Base** - MFC 2 1/8", PVC edge
3. **Modesty panel** - MFC 6/8", PVC edge
4. **Thickening element** - MFC 4/8", clour 154 - anthracite
5. **Leveling** - 2/8" range

## TECHNICAL SPECIFICATION

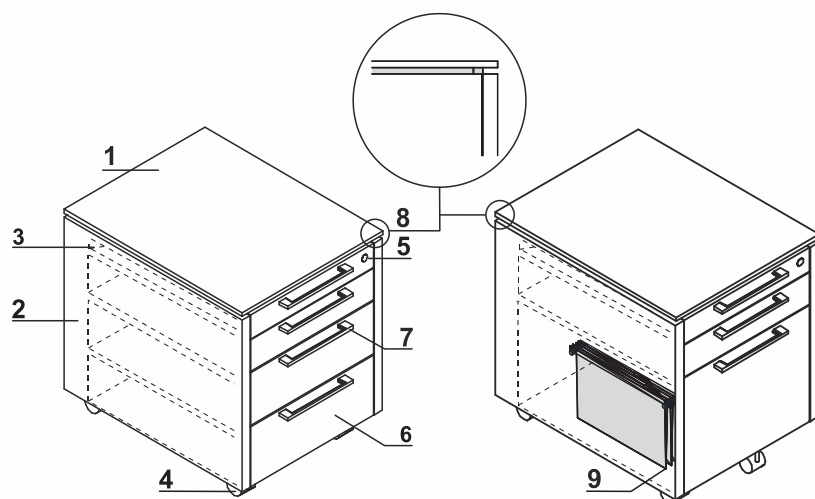
### STORAGES



1. **Top** - MFC 4/8", PVC edge
2. **Side panels** - MFC 1 1/8", PVC edge
3. **Base** - MFC 6/8", PVC edge
4. **Glass front** - transparent tempered glass 2/8"
5. **Front** - MFC 6/8", PVC edge
6. **Body** - MFC 6/8", color 154 - anthracite
7. Aluminium handle
8. **Thickening element, clour 154** - anthracite

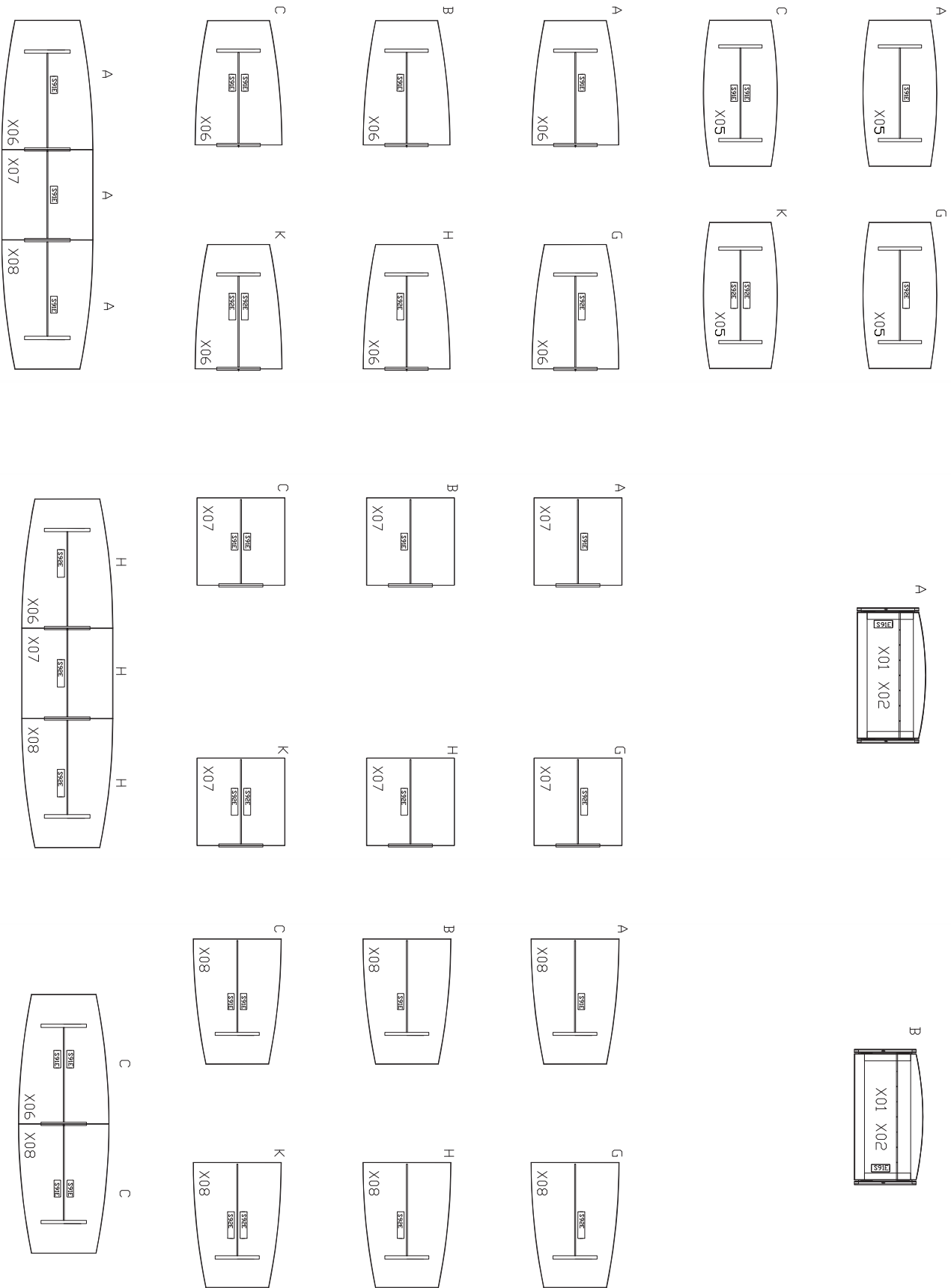
ATTENTION - Storages without lock; Possibility of adding espagnolette lock only for MFC doors - extra charge. Each door (L/R) needs separate lock. To order add letter "Z" at the end of product index.

### MOBILE PEDESTALS



1. **Top** - MFC 4/8", PVC edge
2. **Side panels** - MFC 1 1/8", PVC edge
3. Separate pencil drawer
4. **Castors** - Ø2", two with brakes
5. **Central lock** - foldable key
6. **Front** - MFC 6/8", PVC edge
7. Aluminium handle
8. **Thickening element, clour 154** - anthracite
9. **Suspension files drawer** - ball runners, max load 30kg, 100% extraction

POSSIBLE MEDIAPORT LOCATION



PRODUCT ILLUSTRATION	DIMENSIONS [inch]			INDEX SYMBOL						COMMENTS
	WIDTH	DEPTH	HEIGHT			kg	m3	pcs		

**DESKS**

	78 3/4"	39 3/8"	29 7/8"	<b>X01</b>		172.0	0.501	4		media port location A,B,C,G,H,K
	66 7/8"	38 1/4"	29 7/8"	<b>X02</b>		156.8	0.451	4		media port location A,B,C,G,H,K

**DESK EXTENSTIONS**

	31 1/2"	47 1/4"	29 7/8"	<b>X14</b>		68.6	0.152	4		front extension, meeting table
	23 5/8"	50"	29 7/8"	<b>X15</b>		73.8	0.229	2		right side extension
	23 5/8"	50"	29 7/8"	<b>X16</b>		74.0	0.229	2		left side extension

**PEDESTALS**

	17 3/4"	23 7/8"	23 1/2"	<b>XKD12</b>		35.4	0.183	1		file drawer
	17 3/4"	23 7/8"	23 1/2"	<b>XKD13</b>		55.0	0.183	1		

DESCRIPTION

NET WEIGHT

VOLUME

NUMBER OF PACKAGES

PRODUCT ILLUSTRATION	DIMENSIONS [inch]			INDEX SYMBOL						COMMENTS
	WIDTH	DEPTH	HEIGHT			kg	m3	pcs		

50H STORAGE

	21 3/8"	16 5/8"	73 7/8"	<b>X56</b>		119.4	0.283	4		left door
	21 3/8"	16 5/8"	73 7/8"	<b>X57</b>		119.4	0.283	4		right door
	21 3/8"	16 5/8"	73 7/8"	<b>X59</b>		108.9	0.260	4		
	40 5/8"	16 5/8"	73 7/8"	<b>X51</b>		167.9	0.386	5		
	40 5/8"	16 5/8"	73 7/8"	<b>X52</b>		157.6	0.368	5		wardrobe/ storage cabinet with slide out hanger
	40 5/8"	16 5/8"	73 7/8"	<b>X55</b>		219.5	0.404	5		transparent, tempered glass doors
	59 7/8"	16 5/8"	73 7/8"	<b>X5679</b>		225.5	0.519	6		
	79"	16 5/8"	73 7/8"	<b>X5567</b>		336.9	0.668	7		transparent, tempered glass doors
	98 1/4"	16 5/8"	73 7/8"	<b>X5119</b>		324.2	0.738	8		

DESCRIPTION

NET WEIGHT

VOLUME

NUMBER OF PACKAGES

PRODUCT ILLUSTRATION	DIMENSIONS [inch]			INDEX SYMBOL						COMMENTS
	WIDTH	DEPTH	HEIGHT			kg	m3	pcs		

**50H STORAGES**

	98 1/4"	16 5/8"	73 7/8"	<b>X5129</b>		313.9	0.719	8		wardrobe part with slide out hanger
--	---------	---------	---------	--------------	--	-------	-------	---	--	-------------------------------------

**30H STORAGES**

	21 3/8"	16 5/8"	46"	<b>X37</b>		79.1	0.176	4		right door
	21 3/8"	16 5/8"	46"	<b>X36</b>		79.1	0.176	4		left door
	21 3/8"	16 5/8"	46"	<b>X39</b>		72.8	0.169	4		
	40 5/8"	16 5/8"	46"	<b>X31</b>		111.7	0.255	4		
	40 5/8"	16 5/8"	46"	<b>X35</b>		114.7	0.284	5		transparent, tempered glass doors
	79"	16 5/8"	46"	<b>X311</b>		185.4	0.425	5		
	59 7/8"	16 5/8"	46"	<b>X3679</b>		151.6	0.331	6		
	79"	16 5/8"	46"	<b>X3567</b>		194.3	0.451	7		transparent, tempered glass doors

DESCRIPTION

NET WEIGHT

VOLUME

NUMBER OF PACKAGES

PRODUCT ILLUSTRATION	DIMENSIONS [inch]			INDEX SYMBOL						COMMENTS
	WIDTH	DEPTH	HEIGHT			kg	m3	pcs		

**30H STORAGEES**

	79"	16 5/8"	46"	<b>X3567</b>		194.3	0.451	7		transparent, tempered glass doors
	98 1/4"	16 5/8"	46"	<b>X3119</b>		218.5	0.499	6		

**20H STORAGEES**

	21 3/8"	16 5/8"	32 1/4"	<b>X26</b>		57.0	0.146	4		left door
	21 3/8"	16 5/8"	32 1/4"	<b>X27</b>		57.0	0.146	4		right door
	40 5/8"	16 5/8"	32 1/4"	<b>X21</b>		80.9	0.192	4		
	79"	16 5/8"	32 1/4"	<b>X2167</b>		140.7	0.358	6		



PRODUCT ILLUSTRATION	DIMENSIONS [inch]			INDEX SYMBOL						COMMENTS
	WIDTH	DEPTH	HEIGHT			kg	m3	pcs		

**MEETING TABLES**

	94 1/2"	47 1/4"	29 7/8"	<b>X05</b>		232.0	0.561	4		media port location A, G (1pcs) or C,K (2pcs)
	78 3/4"	55 1/8"	29 7/8"	<b>X06</b>		227.1	0.554	4		begining element for conference table, media port location A,B,G,H (1pcs) or C,K (2pcs)
	55 1/8"	55 1/8"	29 7/8"	<b>X07</b>		179.2	0.364	4		middle element of conference table, media port location A, B, G, H (1pcs) or C,K (2pcs)
	78 3/4"	55 1/8"	29 7/8"	<b>X08</b>		200.2	0.492	4		end element of conference table, media port location A,B,G,H (1pcs) or C,K (2pcs)
	31 1/2"	31 1/2"	21 5/8"	<b>X19</b>		76.9	0.144	2		
	31 1/2"	31 1/2"	29 7/8"	<b>X22</b>		92.0	0.223	2		
	47 1/4"	47 1/4"	29 3/4"	<b>X120</b>		60.0	0.165	3		column ø 3 7/8", disc ø 24 3/8"

**ACCESSORIES**

	10 1/2"	4 3/8"	3 5/8"	<b>S91E</b>		1.0	0.010	1		- 2 x 110V - 2 x RJ45
	16 3/4"	4 3/8"	3 5/8"	<b>S92E</b>		1.0	0.014	1		- 4 x 110V - 4 x RJ45

DESCRIPTION

NET WEIGHT

VOLUME

NUMBER OF PACKAGES