

Versa lite

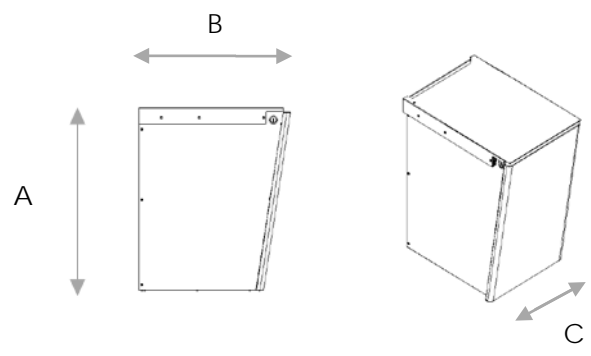


VERSA LITE MODELS

VRS-LT
without top metal cubby

A. Overall Height	19"
B. Overall Depth	16 1/4"
C. Overall Width	11"

Internal Drawer Dimensions:
18 3/4"H x 16"D 10 1/4"W

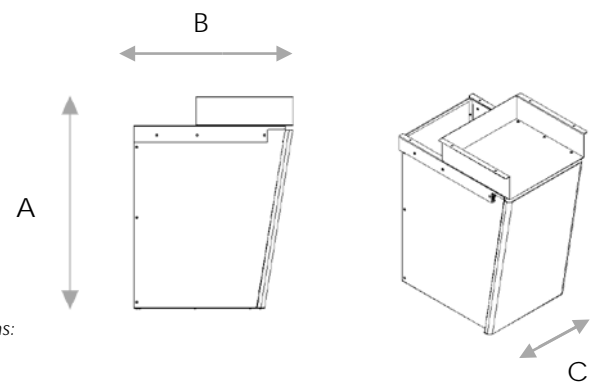


VRS-LT-C
with top metal cubby

A. Overall Height	22"
B. Overall Depth	16 1/4"
C. Overall Width	11"

Internal Drawer Dimensions:
18 3/4"H x 16"D 10 1/4"W

Internal Metal Cubby Dims:
2 3/4"H x 10 3/4"W x 10"D



FEATURES

Removable Tote
Equipped with PED
Felt drawer for smaller items

Powder Coated
light-weight steel



Mounts Flush to End of Table
for a clean look

Lockable Drawer
keyed or digital locks

Tapered Front
one-of-a-kind design



Versatile
Removable Felt Cubby



Universal
Installs Under Any Desk



Sleek
Elegant Waterfall Front Design

STANDARD FINISHES



Powder Coat Options



Cubby Felt Options

ACCESSORIES



Internal Felt Cubby Dims:
2 ½"H x 10 ½"W x 9 ¾"D

*Versa Lite Felt Cubby - VLC

CUSTOM MATERIALS & FINISHES

Available upon request depending on project size. Please contact info@slydeinnovations.com for further details.

* Felt cubby sold separately

* Manual locks are available in keyed alike or keyed random.