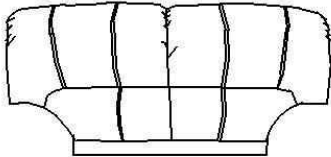
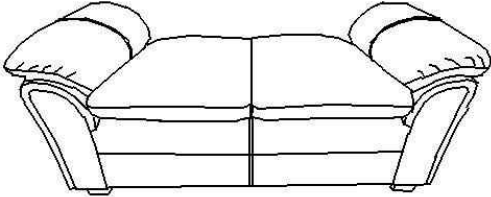
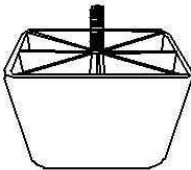





## Assembly Instrucion ITEM NO.8511BK/TP/CN-2 LOVE SEAT

NOTE:Do not use power tools for assembly.Power tools increase the risk of over tightening which lead to splitting or cracking the wood.

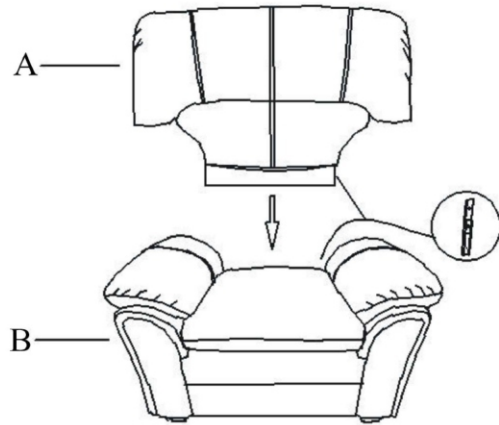
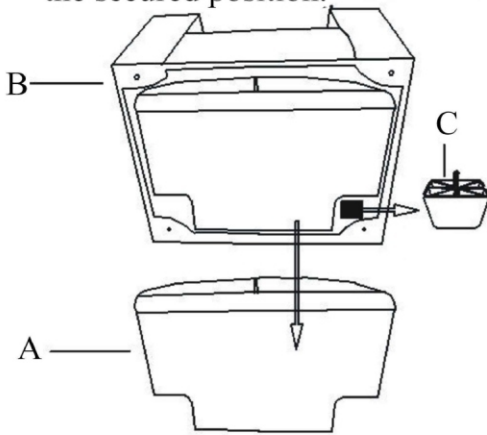
### COMPONENT LIST(LOVE SEAT)

NO.	DRAWING	QIY	DESCRIPTION
A	 A line drawing of a curved backrest with vertical stitching or pleats.	1	BACK REST
B	 A line drawing of a two-seater sofa seat with armrests and a central seam.	1	SEAT
C	 A line drawing of a trapezoidal bun foot with a central vertical post and a crossbar.		BUN FOOT

## Please follow the drawings below to assemble the item.

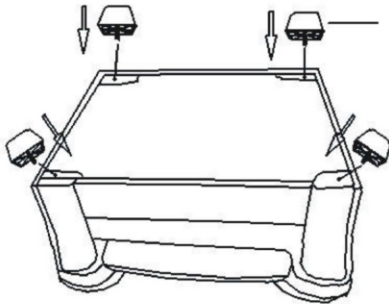
 Bun foot and Hardware are stored at the bottom of the unit as show arrow sticker. Please take out the bun foot for assembly.

Step1. Take out the back rest from the bottom of the chair, align the back rest brackets onto the seat, insert the back rest to the seat then push to the end to the secured position.



Step2. Align the bun foot to the bottom, insert and rotate the bolts then tighten it.

Step3. Completed.



### CARE INSTRUCTION FOR BONDED MATCH FURNITURE.

In order to maintain the original appearance of your bonded match furniture, please follow below care procedures:

- Avoid exposing furniture directly to sunlight or heating and air conditioning outlets. Sunlight and/or exposure to heating and air conditioning outlets will fade/damage bonded match. Do not place your upholstered furniture too close to windows, radiators, or vents, and be sure to use window treatments to block the sun's rays.



For items use on wooden floor, hard surfaces or carpets, it is recommended to install protective pads under all legs and supports to avoid/prevent from damages/scratches and discoloration.