





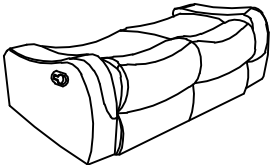
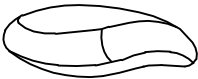
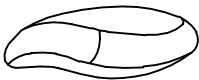
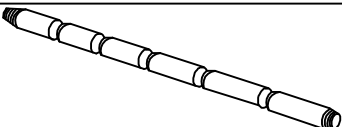
Assembly Instructions

DOUBLE RECLINNER LOVE SEAT

ITEM NO: **8326BLK/BRW-2**

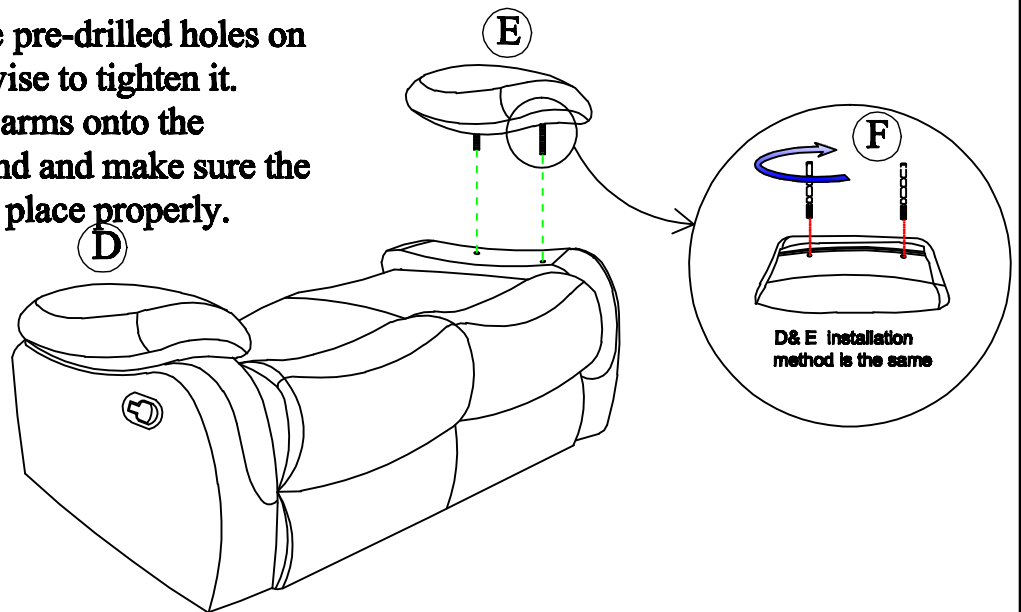
NOTE: Do not use power tools for assembly. Power tools increase the risk of over tightening which lead to splitting or cracking the wood.

COMPONENT LIST (LOVE SEAT)

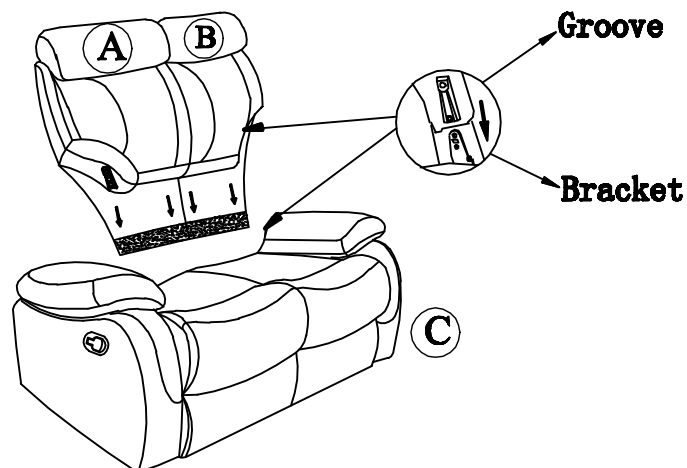
NO.	DRAWING	QTY	DESCRION
A		1	LSF BACK REST
B		1	RSF BACK REST
C		1	SEAT
D		1	LSF ARM
E		1	RSF ARM
F		4	METAL PIN

Step#1

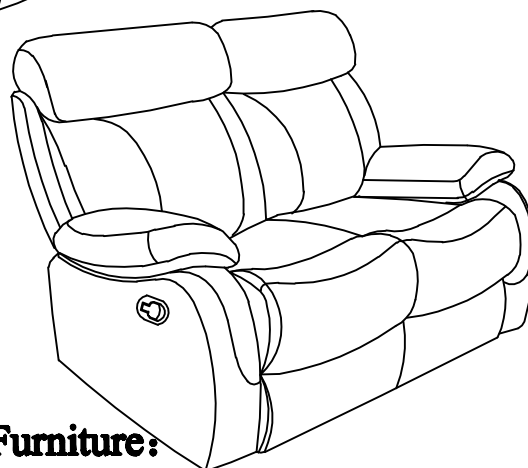
Insert metal pins to the pre-drilled holes on both arms, turn clockwise to tighten it. Attach and insert both arms onto the handrail, push to the end and make sure the metal pins is locked in place properly.

**Step#2**

Align and insert female brackets at the back rests onto male brackets at the seat, push to the end and make sure it's secured in position properly.

**Step#3**

Love seat assembly is completed.

**Care Instruction for Leather Match Furniture:**

In order to maintain the original appearance of your leather match furniture, Please follow below simple care procedures:

- Avoid exposing furniture directly to sunlight or heating and air conditioning outlets. Sunlight and or exposure to heating and air conditioning outlets will fade/damage Leather match.
- Vacuum or wipe with a soft cloth to remove dust.
- Clean Leather match with professional cleaner.