



H O M E E L E G A N C E

ASSEMBLY INSTRUCTIONS

ITEM NO.:9349DBU/GRY-3

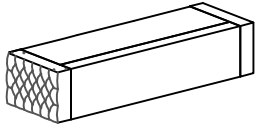

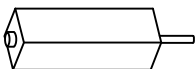
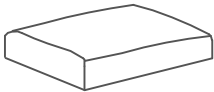


SOFA








Legs & hardware are stored at the bottom of box, please take out for assembly.

Note:Do not use power tools for assembly.Power tools increase the risk of over tightening which lead to spiliting or cracking the wood.

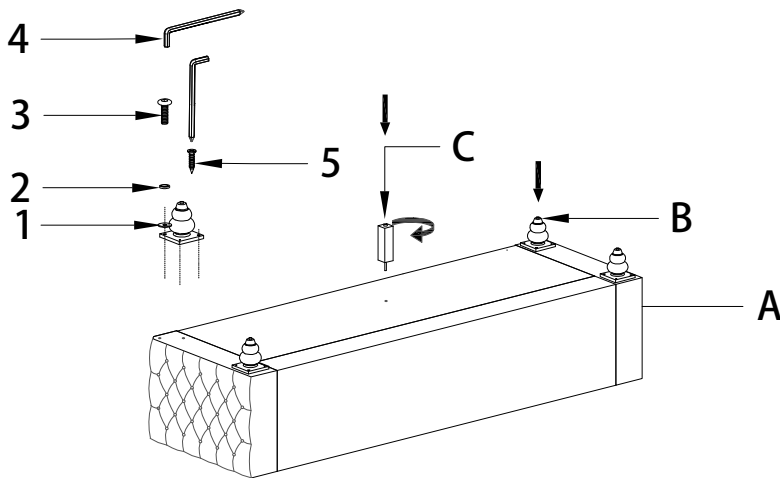
Component List

NO	Drawing	Qty	Description
A		1	SEAT
B		4	ACRYLIC LEG
C		1	SUPPORT LEG
D		1	RSF SEAT CUSHION
E		1	LSF SEAT CUSHION
F		2	PILLOW 18" *18"

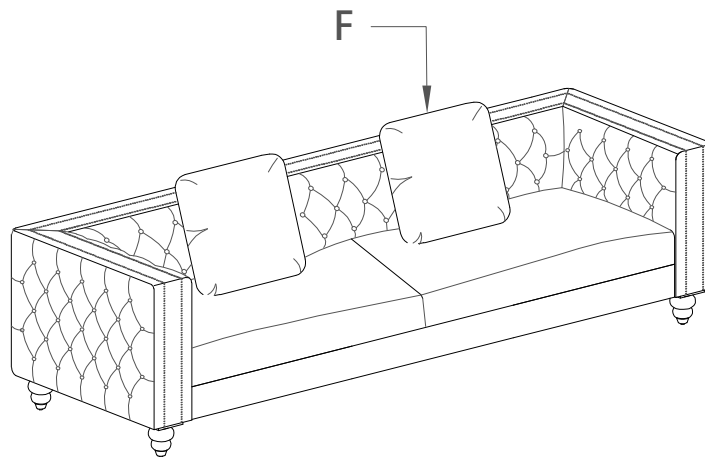
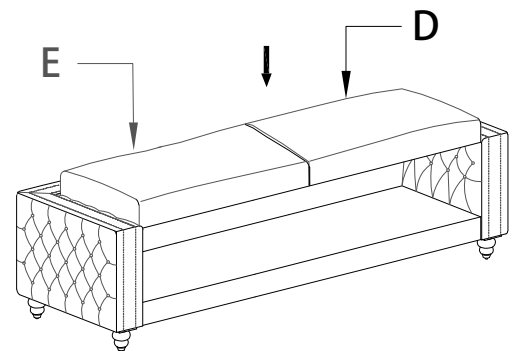
Hardware List

NO	Drawing	QTY	Description
1		8	FLAT WASHER
2		8	LOCK WASHER
3		8	BOLTS 5/16"*1.5"
4		1	ALLEN KEY
5		8	WOOD SCREW 5*1.5"

Step#1



Step#2



Care Instruction for velvet Furniture:

In order to maintain the original appearance of your velvet Furniture, please follow below simple care procedures:

- Avoid exposing furniture directly to sunlight or heating and air conditioning outlets. Sunlight and or exposure to heating and air conditioning outlets will fade/damage velvet
- Do not place your upholstered furniture too close to windows, radiators, or vent, and be sure to use windows, radiators, or vents.
- Vacuum or wipe with a cloth regularly to removed dust.



For items use on wooden floor, hard surfaces or carpets, it is recommended to install protective pads under legs and supports to avoid/provent from damages/scratches and discoloration.