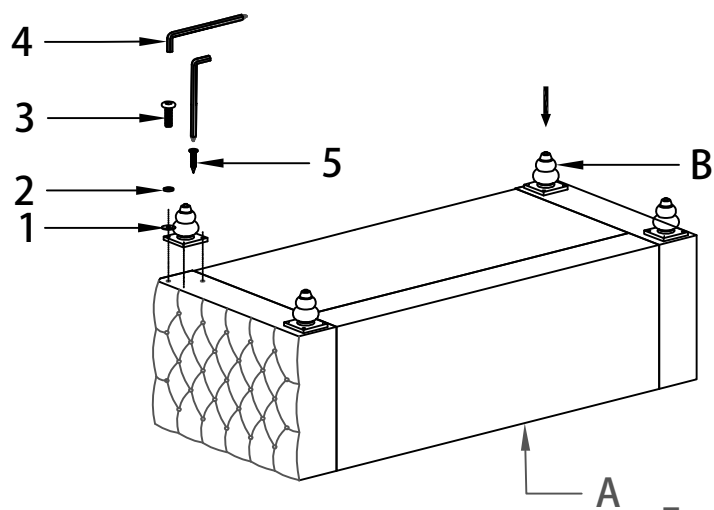
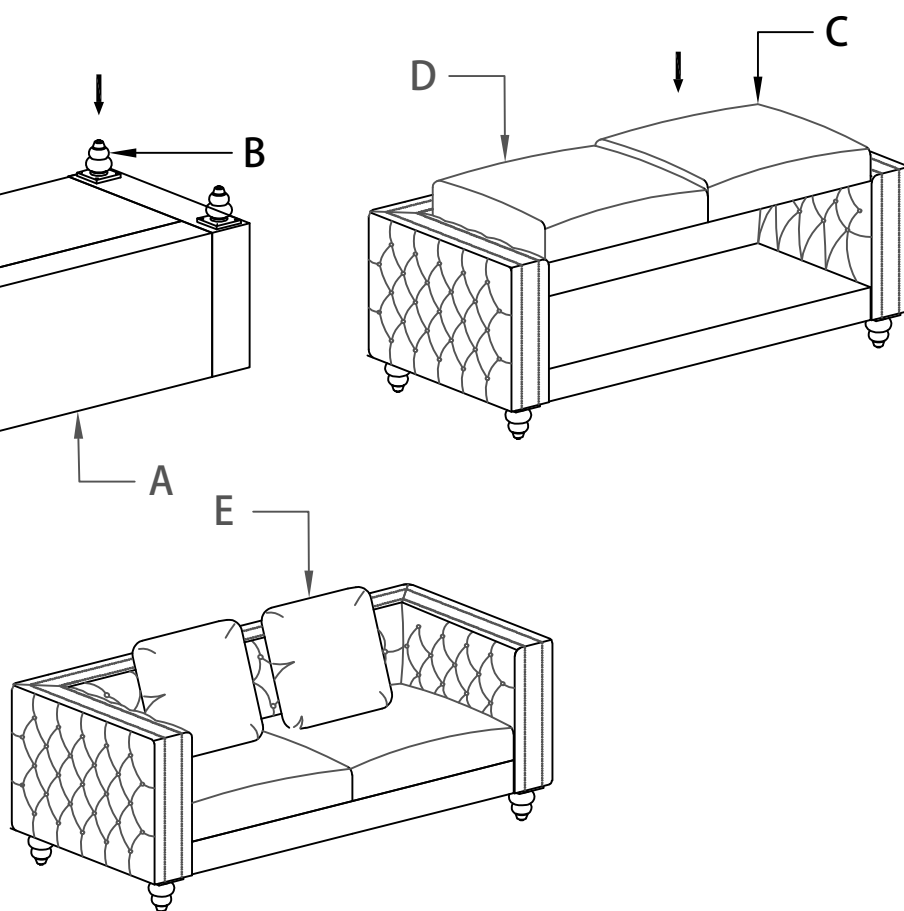




## Step#1



## Step#2



## Care Instruction for velvet Furniture:

In order to maintain the original appearance of your velvet Furniture, please follow below simple care procedures:

- Avoid exposing furniture directly to sunlight or heating and air conditioning outlets. Sunlight and or exposure to heating and air conditioning outlets will fade/damage velvet
- Do not place your upholstered furniture too close to windows, radiators, or vent, and be sure to use windows, radiators, or vents.
- Vacuum or wipe with a cloth regularly to removed dust.



For items use on wooden floor, hard surfaces or carpets, it is recommended to install protective pads under legs and supports to avoid/provent from damages/scratches and discoloration.