



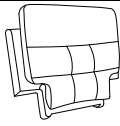
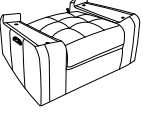
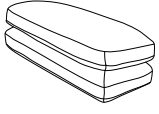

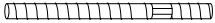
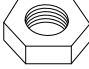
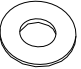

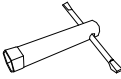
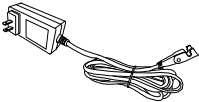
Assembly Instruction

ITEM NO: 9590BR/GY-1PWH

Power Reclining Chair with Power Headrest and USB

NOTE: Do not use power tools for assembly. Power tools increase the risk of over tightening which lead to splitting or cracking the wood.

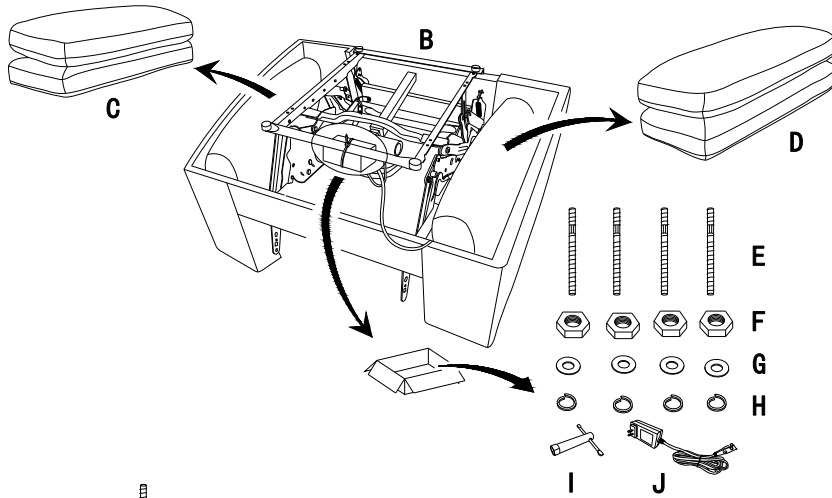
PARTS LIST

NO.	DRAWING	QTY	DESCRIPTION
A		1	BACK REST
B		1	SEAT
C		1	LSF ARM CUSHION
D		1	RSF ARM CUSHION
E		4	THREAD RODS
F		4	HEX NUTS
G		4	FLAT WASHERS
H		4	LOCK WASHERS
I		1	SPANNER
J		1	ADAPTOR PLUG

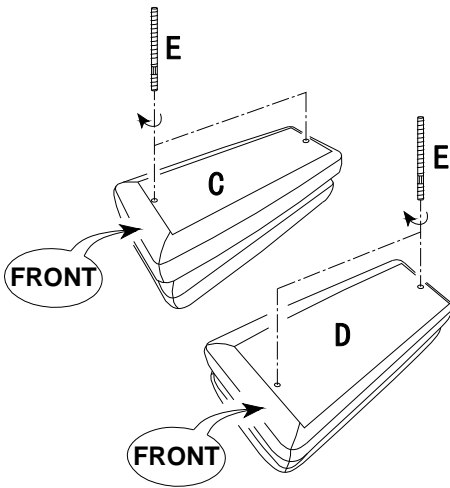
Please follow the drawings below to assemble the item.

Note: Adaptor and plug wire are tied on the mechanism at the bottom of seat, please take out for assembly

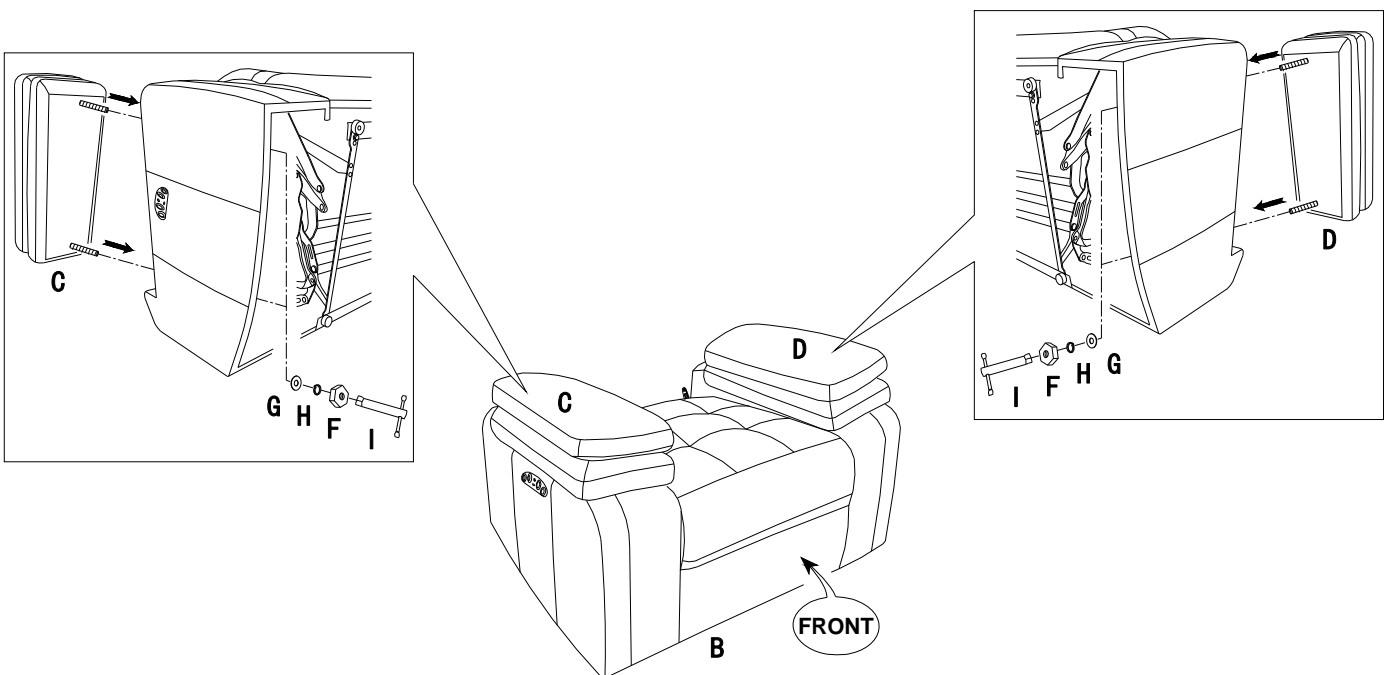
Step 1.



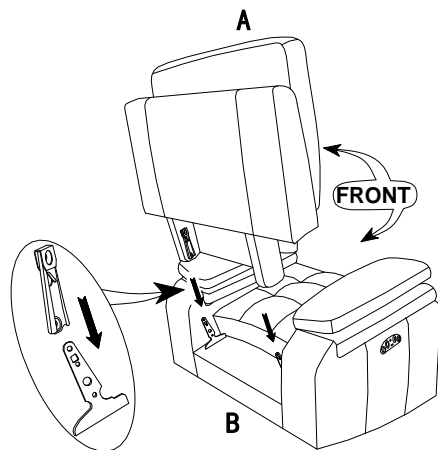
Step 2.



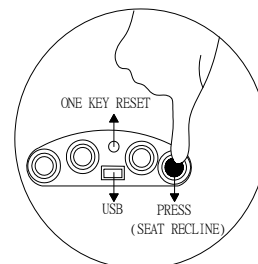
Step 3.



Step 4.

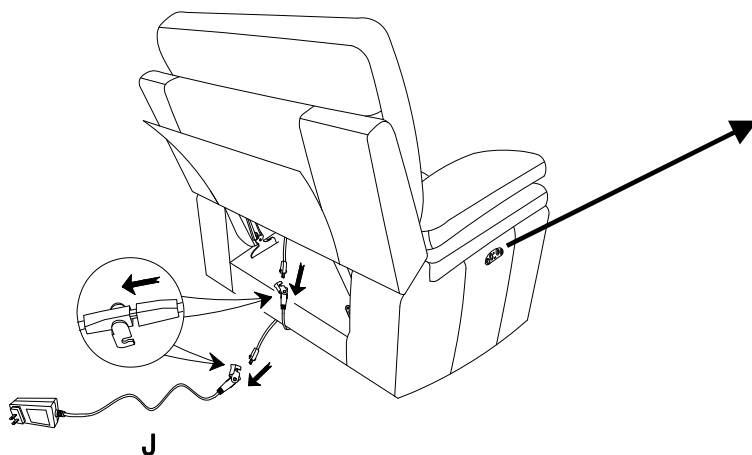


FRONT BUTTON

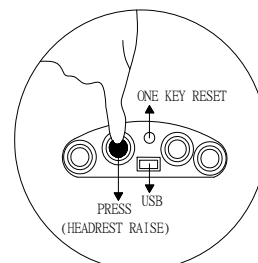


PRESS TO RECLINE/CLOSE THE SEAT

Step 5.

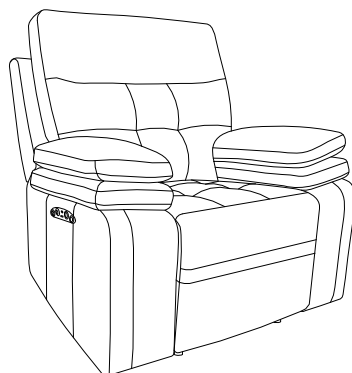


REAR BUTTON
HEADREST




PRESS TO ADJUST HEADREST HEIGHT


Completed.



CARE INSTRUCTION FOR LEATHER GEL FURNITURE:

- Avoid exposing furniture directly to sunlight or heating and air conditioning outlets. Exposure to sunlight or heating and air conditioning outlets will fade/damage Leather gel.
- Wipe gently with a damp soft cloth to remove dust, dirt and any grime buildup.

 For items use on wooden floor, hard surfaces or carpets, it is recommended to install protective pads under all legs and supports to avoid/prevent from damages/scratches and discoloration.

 **Warning**
Do not allow electrical cord to be pinched between moving parts or between the frame and the floor. Do not place cord under carpet or in location where it could become worn.