



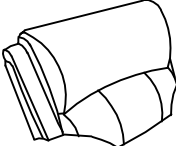
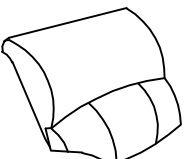
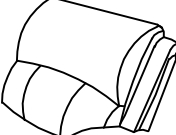
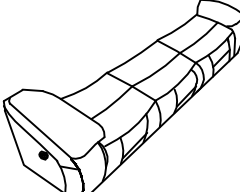
Assembly Instructions

DOUBLE RECLINING SOFA

ITEM NO: 8200BRW - 3

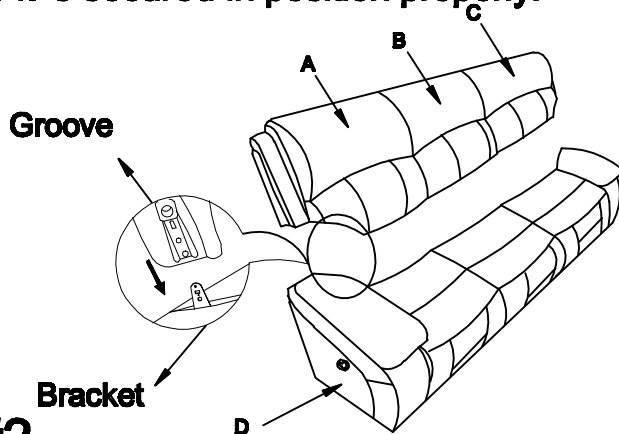
NOTE: Do not use power tools for assembly. Power tools increase the risk of tightening which would lead to splitting or cracking the wood.

COMPONENT LIST (SOFA)

NO.	DRAWING	QTY	DESCRION
Ⓐ		1	LSF BACK REST
Ⓑ		1	MIDDLE BACK SEAT
Ⓒ		1	RSF RACK REST
Ⓓ		1	SEAT

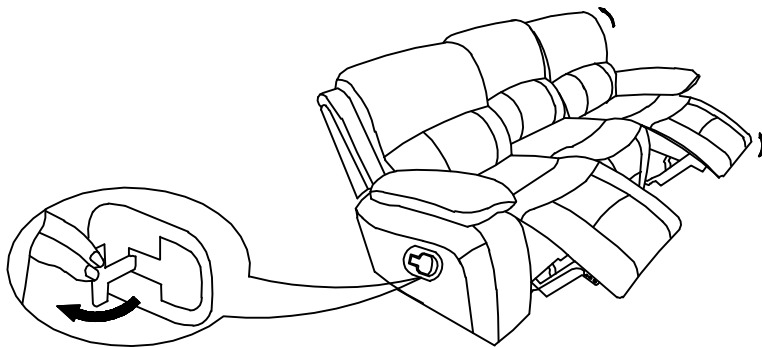
Step#1

Align and insert female bracket at the back rest onto male bracket at the seat, push to the end and make sure it 's secured in position properly.



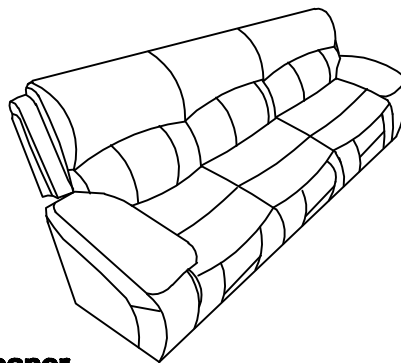
Step#2

Pull the handle to recline the sofa.



Step#3

Sofa assmby is completed.



Clean Leather match with professional cleaner.

Care Instruction for Leather Match Furniture:

In order to maintain the original appearance of your leather match furniture, Please follow below simple care procedures:

- Avoid exposing furniture directly to sunlight or heating and air conditioning outlets. Sunlight and or exposure to heating and air conditioning outlets will fade/damage Leather match.
- Vacuum or wipe with a soft cloth to remove dust.
- Clean Leather match with professional cleaner.