



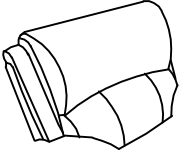
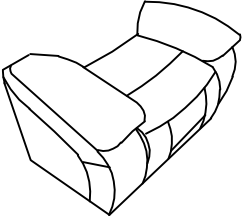
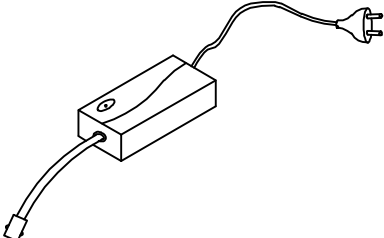
## Assembly Instructions

### POWER RECLINING CHAIR

#### ITEM NO:8200BRW - 1PW

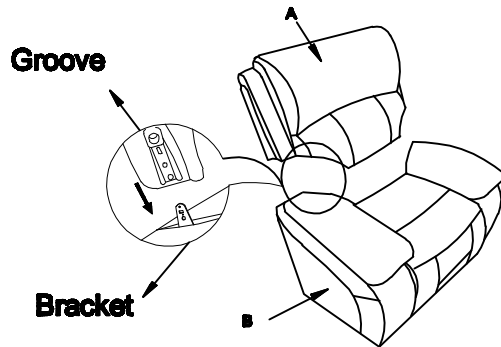
**NOTE: Do not use power tools for assembly. Power tools increase the risk of tightening which would lead to splitting or cracking the wood.**

### COMPONENT LIST (CHAIR)

NO.	DRAWING	QTY	DESCRION
A		1	BACK REST
B		1	SEAT
C		1	PLUG ADAPTOR WIRE

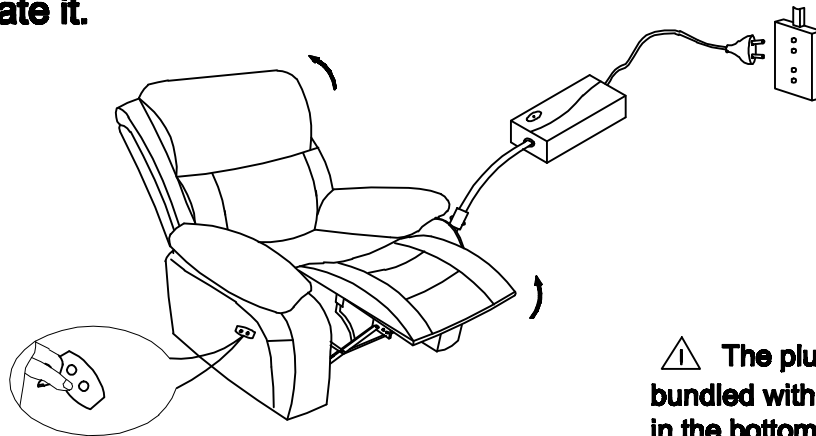
## Step#1

Align and insert female bracket at the back rest onto male bracket at the seat, push to the end and make sure it 's secured in position properly.



## Step#2

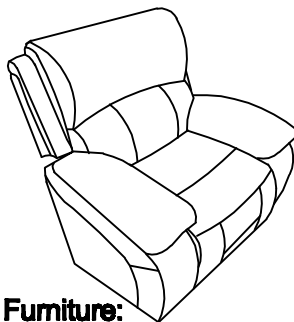
Assemble the wire and adaptor to the unit, plug the wire to the outlet then begin to operate it.



**⚠ The plug adaptor wire is bundled with the metal frame in the bottom of chair.**

## Step#3

Chair assembly is completed.



### Care Instruction for Leather Match Furniture:

In order to maintain the original appearance of your leather match furniture, Please follow below simple care procedures:

- Avoid exposing furniture directly to sunlight or heating and air conditioning outlets. Sunlight and or exposure to heating and air conditioning outlets will fade/damage Leather match.
- Vacuum or wipe with a soft cloth to remove dust.
- Clean Leather match with professional cleaner.

### Warning !

Do not allow electrical cord to be pinched between moving parts or between the frame and the floor. Do not place cord under carpet or in location where it could become worn.

"Do not lean forward while the chair is in opened or reclined position, this may cause chair tip over, always adjust/operate the chair back to close position while you try to stand up or reach any objects"