



Assembly Instruction

ITEM NO.:9346GY-2

LOVE SEAT

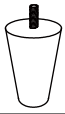
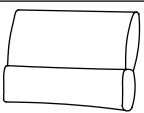
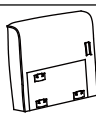

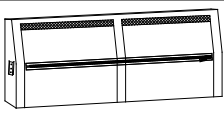
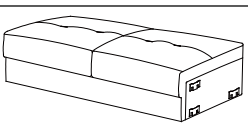
H O M E L E G A N C E



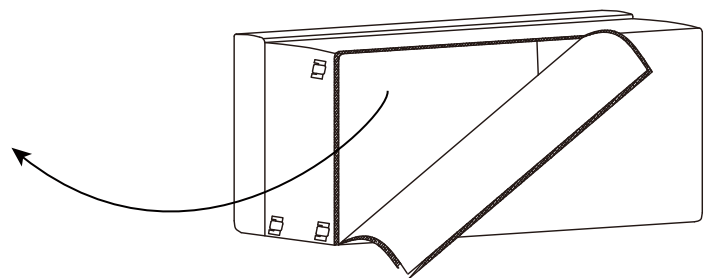
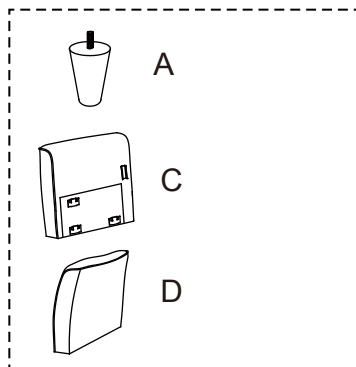
Legs & hardware are stored in the bottom of seat, please take out for assembly.

Note: Do not use power tools for assembly. Power tools increase the risk of over tightening which lead to splitting or cracking the wood.

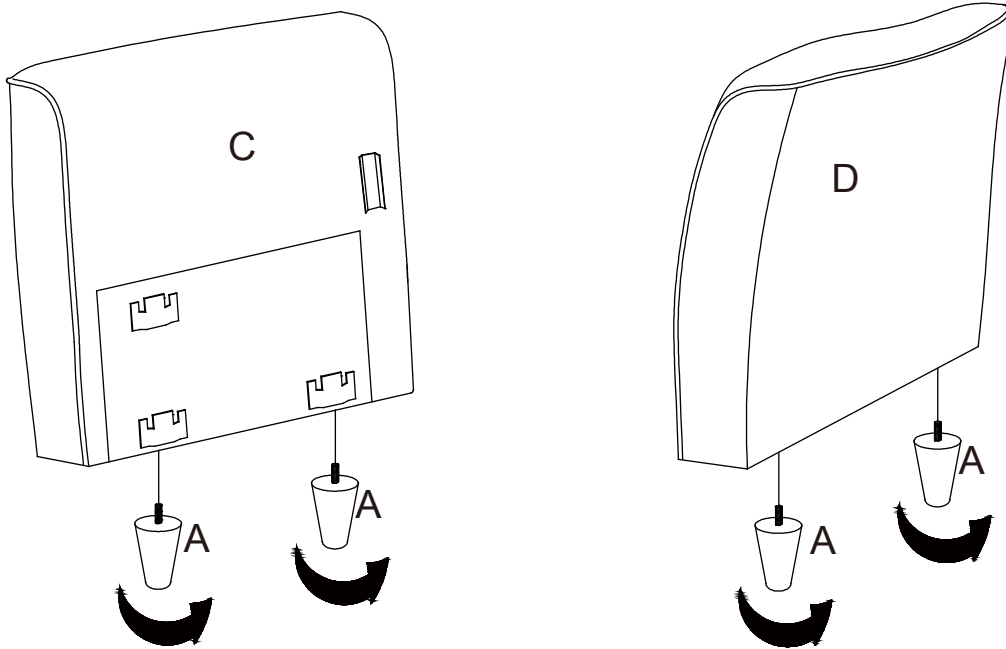
Component list

No	Drawing	Qty	Description
A		4	WOODEN LEG H:10CM
B		2	BACK CUSHION
C		1	LSF ARM
D		1	RSF ARM
E		1	BACK REST
F		1	SEAT

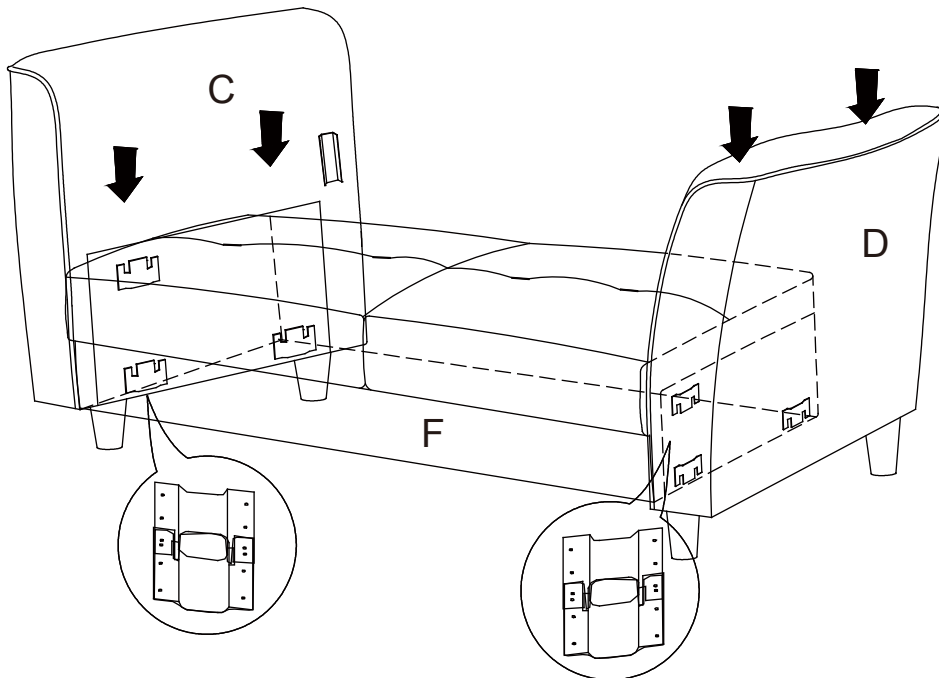
Step #1



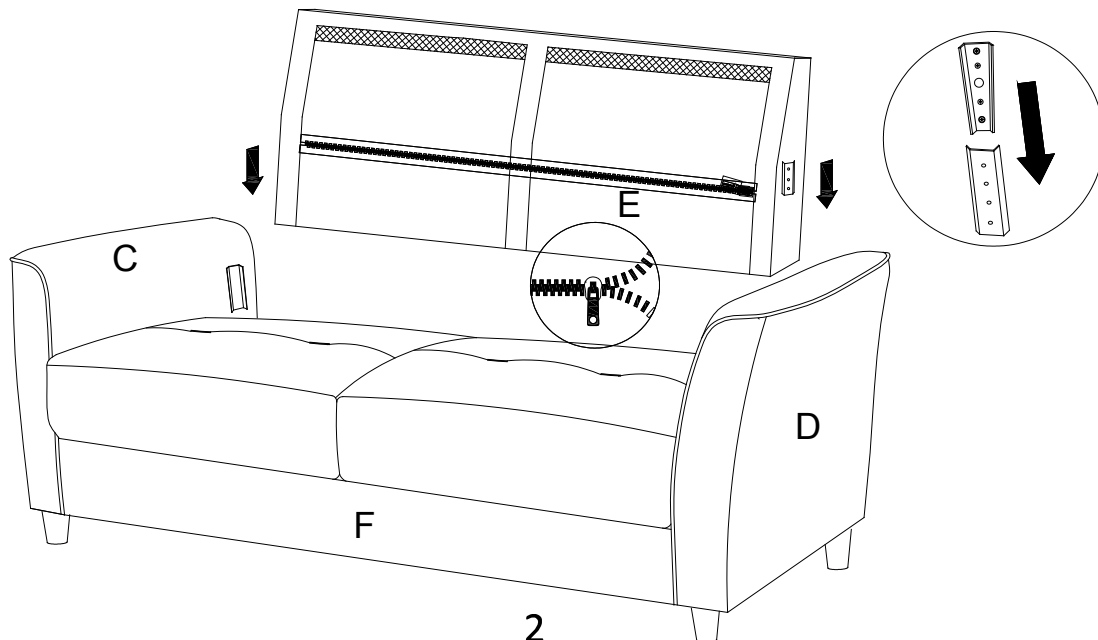
Step #2



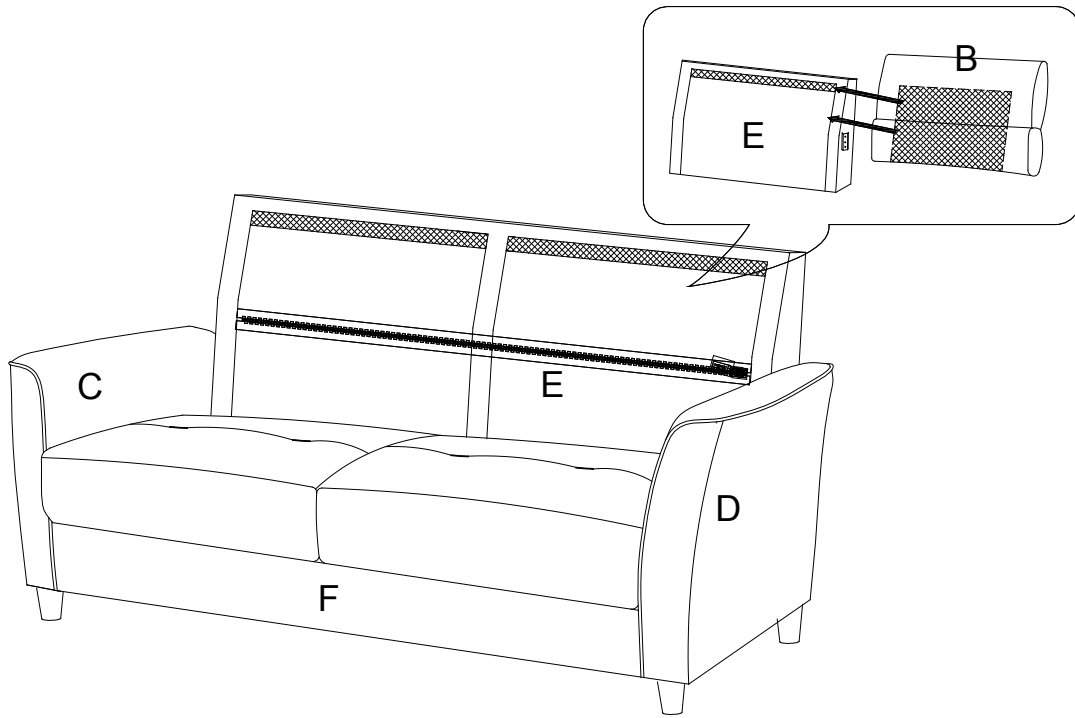
Step #3



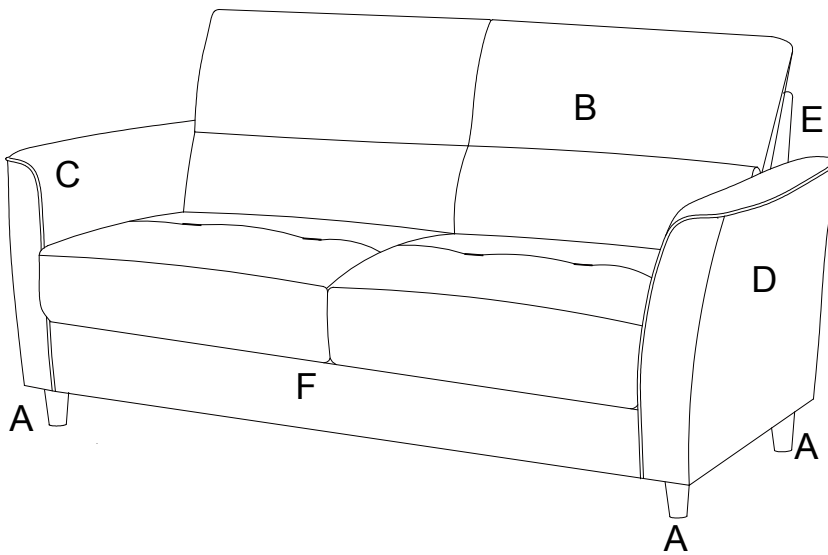
Step #4



Step #5



Step #6



Care Instruction for Textured Fabric Furniture:

In order to maintain the original appearance of your textured fabric Furniture, please follow below simple care procedures:

- Avoid exposing furniture directly to sunlight or heating and air conditioning outlets. Sunlight and or exposure to heating and air conditioning outlets will fade/damage textured Fabric.
- Vacuum or wipe with a soft cloth to remove dust.



For items use on wooden floor, hard surfaces or carpets, it is recommended to Install protective pads under all legs and supports to avoid/prevent from damages/scratches and discoloration.