

ASSEMBLY INSTRUCTION

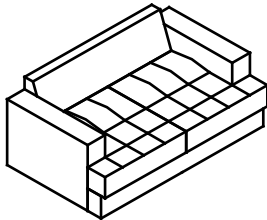
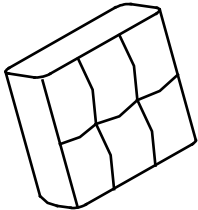
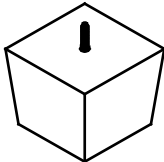
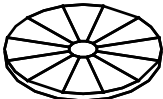
ITEM NO.:9309GY-2/ 9309BK-2

LOVESEAT

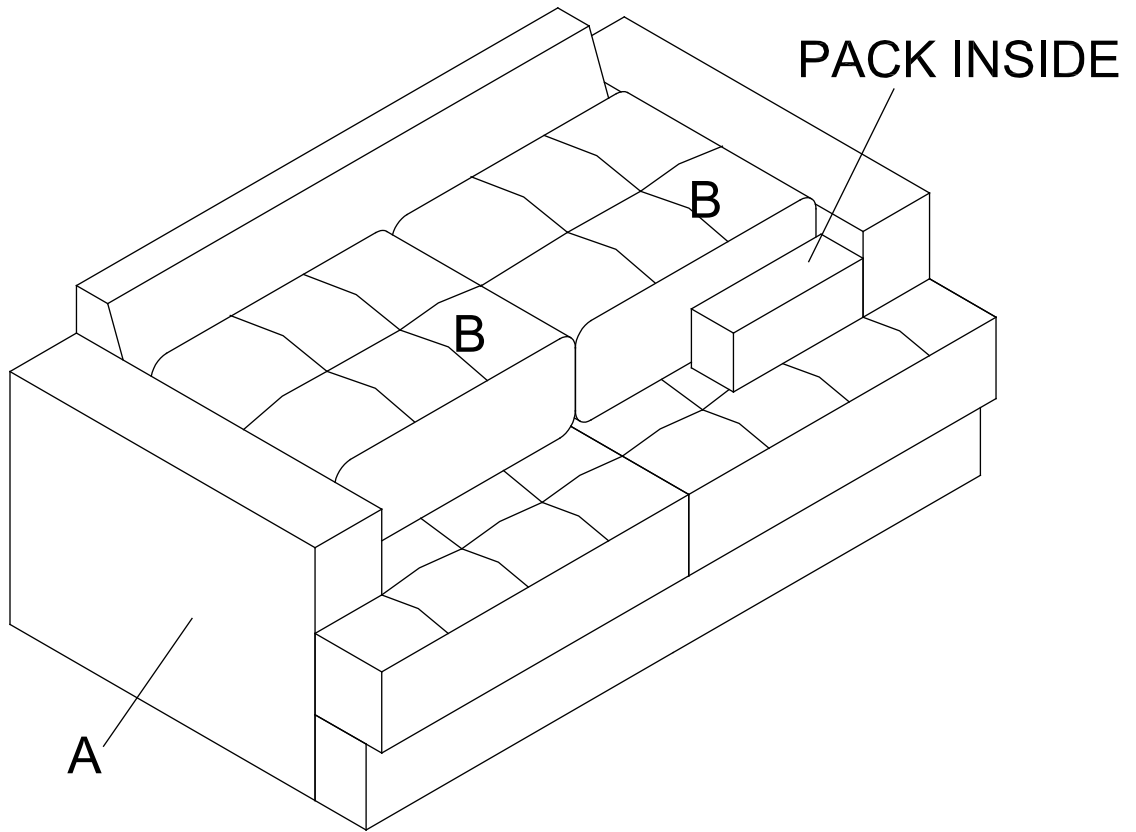


Legs and hardware are stored in box ,
please take out for assembly.

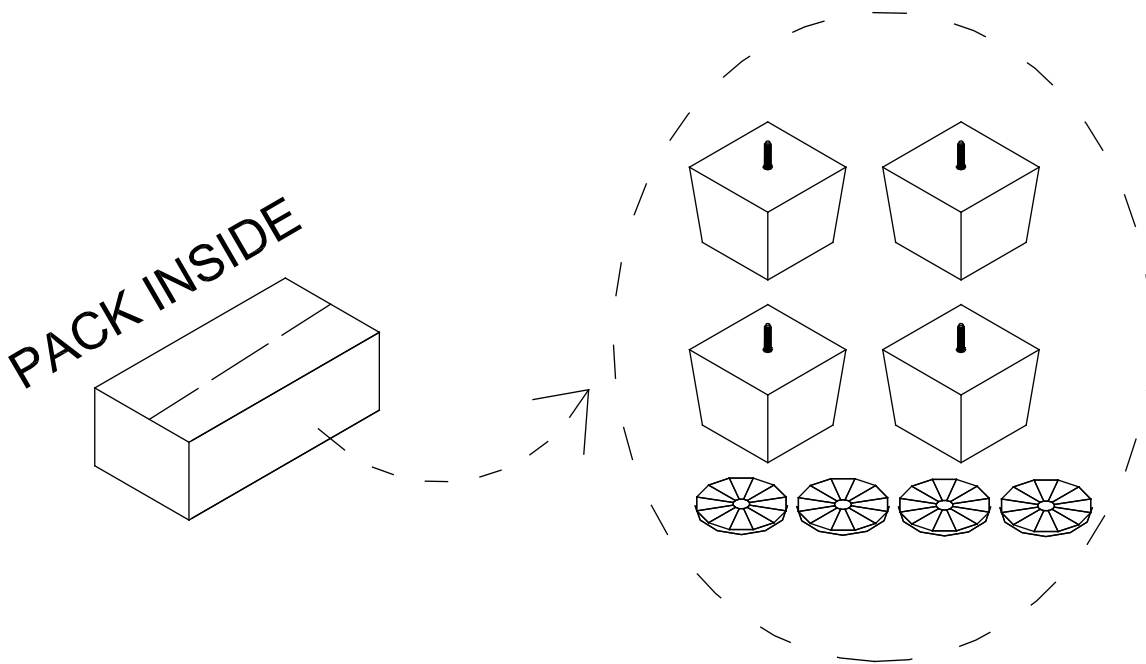
NOTE: Do not use power tools for assembly. Power tools increase the risk of over tightening which lead to splitting or cracking the wood.

NO.	DRAWING	QTY	DESCRIPTION
A		1	SEAT
B		2	BACK CUSHION
C		4	WOODEN LEG 4-3/4"*4-3/4"*4"
D		4	GASKET

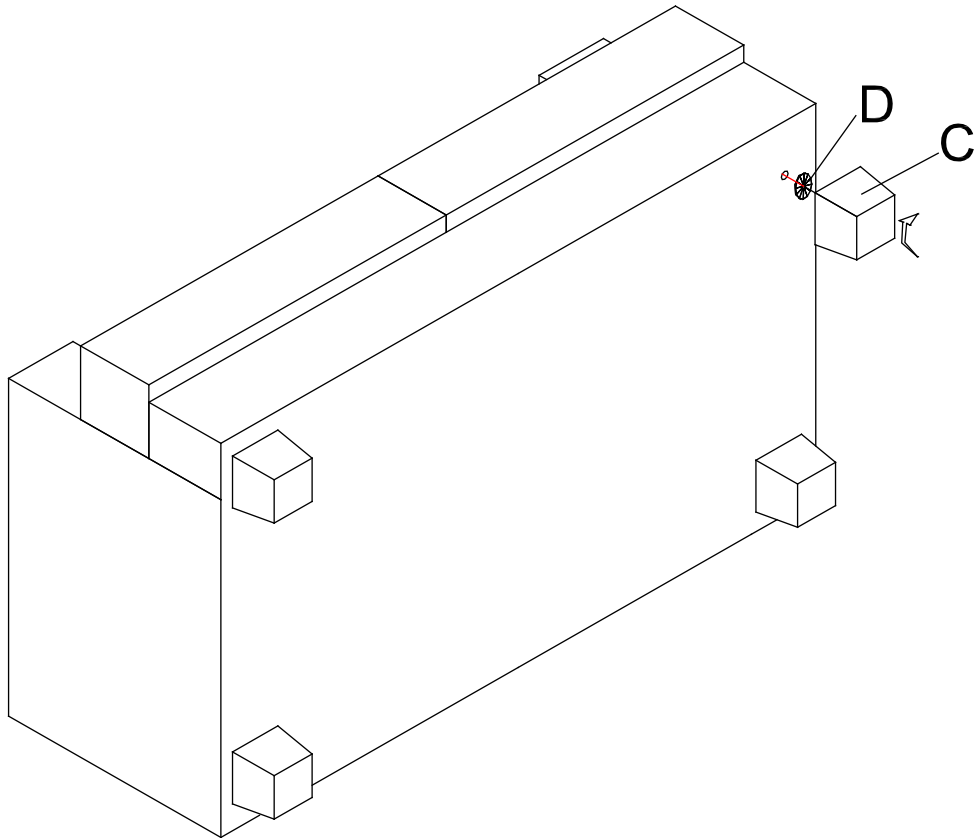
STEP 1:



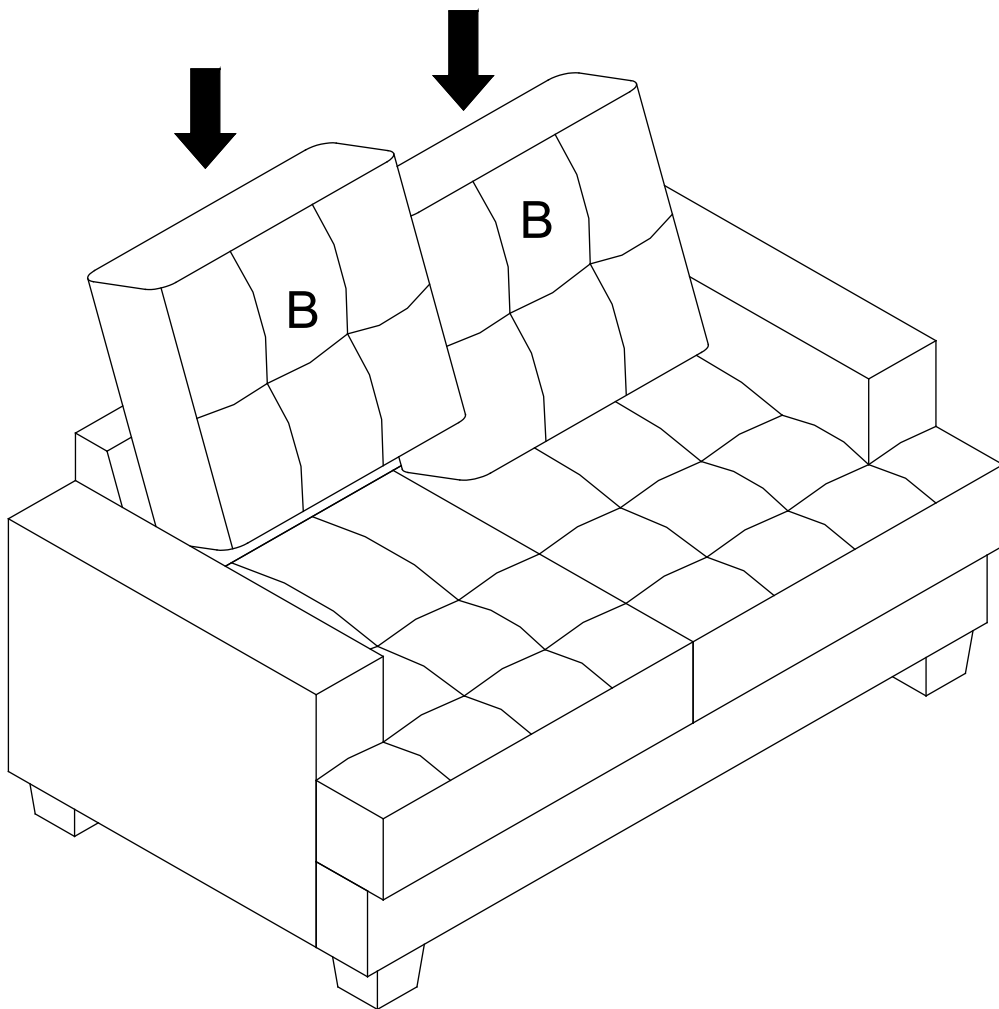
STEP 2:



STEP 3:

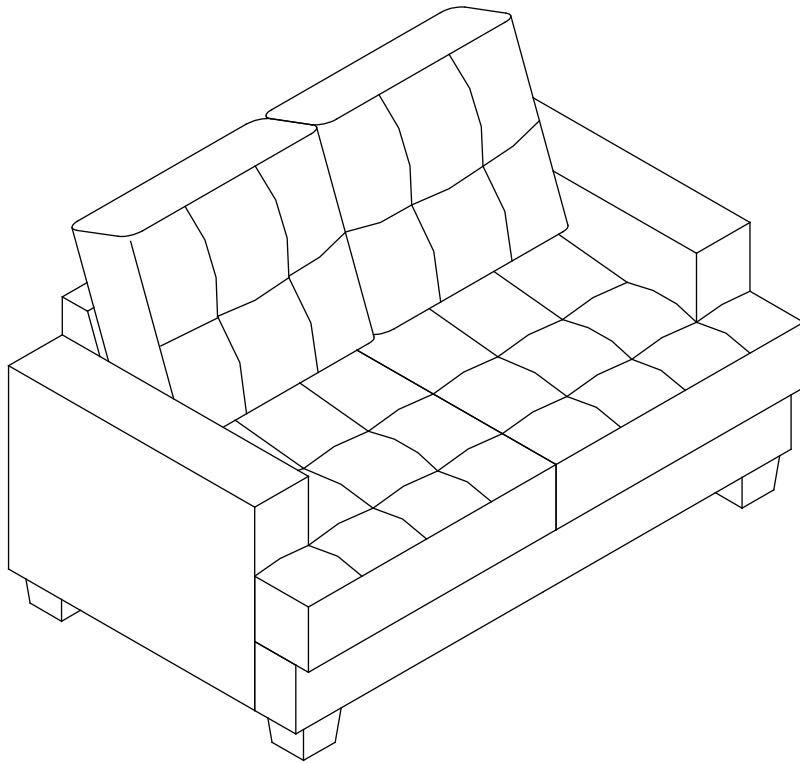


STEP 4:



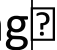


3 OF 4

STEP 5:



Care instruction for Leather Gel match furniture:

In order to maintain the original appearance of your  furniture, please follow below simple care procedures:

- Avoid exposing furniture directly to sunlight or heating or heating  conditioning outlets. Sunlight and or exposure to heating and  air conditioning outlets will fade/damage .
- Do not place your upholstered furniture too close to windows, radiators, or vents, and be sure to use windows, radiators, or vents.
- Vacuum or wipe with a cloth regularly to remove dust.



For items used on wooden floor, hard surfaces or carpets, it is recommended to install protective pads under all legs and supports to avoid/prevent from damages/scratches and discoloration.