



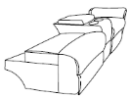

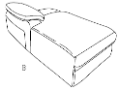








Assembly Instruction


ITEM NO.:

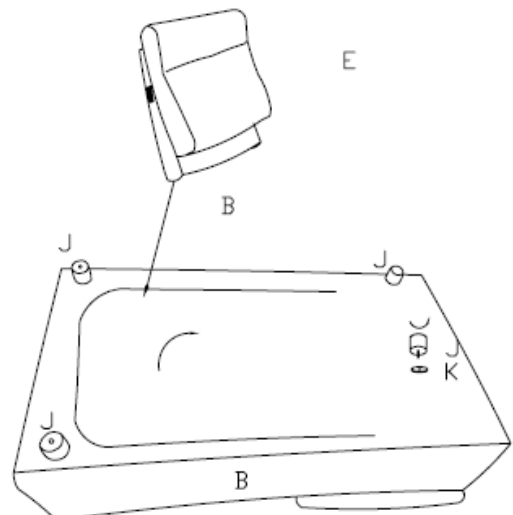
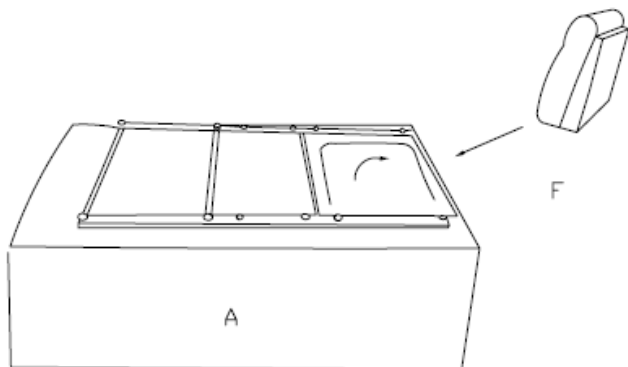
9917DB-R RSF RECLINING 2 SEATER W/CONSOLE
9917DBR-L LSF PUSH BACK RECLINING CHAISE

NOTE: Do not use power tools for assembly. Power tools increase the risk of over tightening which lead to splitting or cracking the wood.

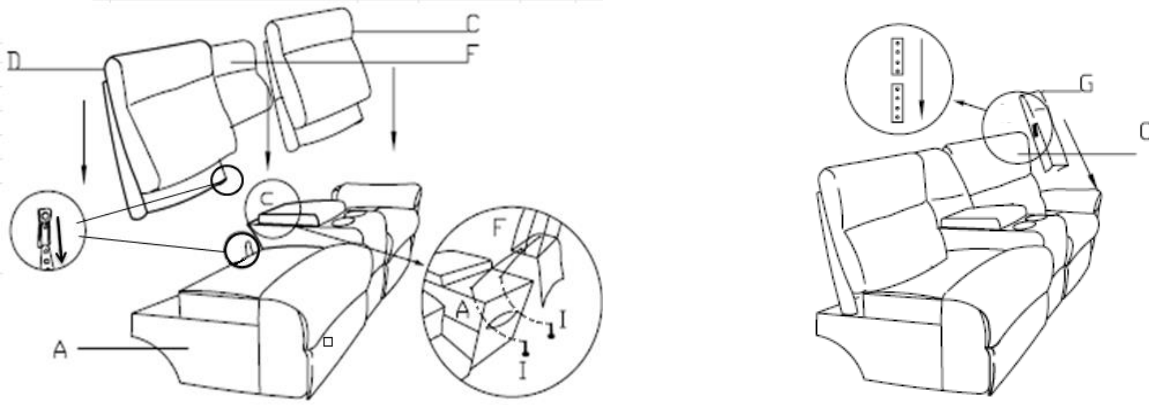
COMPONENT LIST

NO.	DRAWING	QTY	DESCRIPTION	NO.	DRAWING	QTY	DESCRIPTION
A		1	RSF RECLINING 2 SEATER	G		1	RSF 2 SEATER EAR
B		1	LSF PUSH BACK RECLINING CHAISE	H		1	LSF CHAISE EAR
C		1	RSF 2 SEATER BACK REST	I		2	BOLT
D		1	LSF 2 SEATER BACK REST	J		4	PLASTIC LEG
E		1	CHAISE BACK REST	K		4	WASHER
F		1	2 SEATER CONSOLE BACK REST				

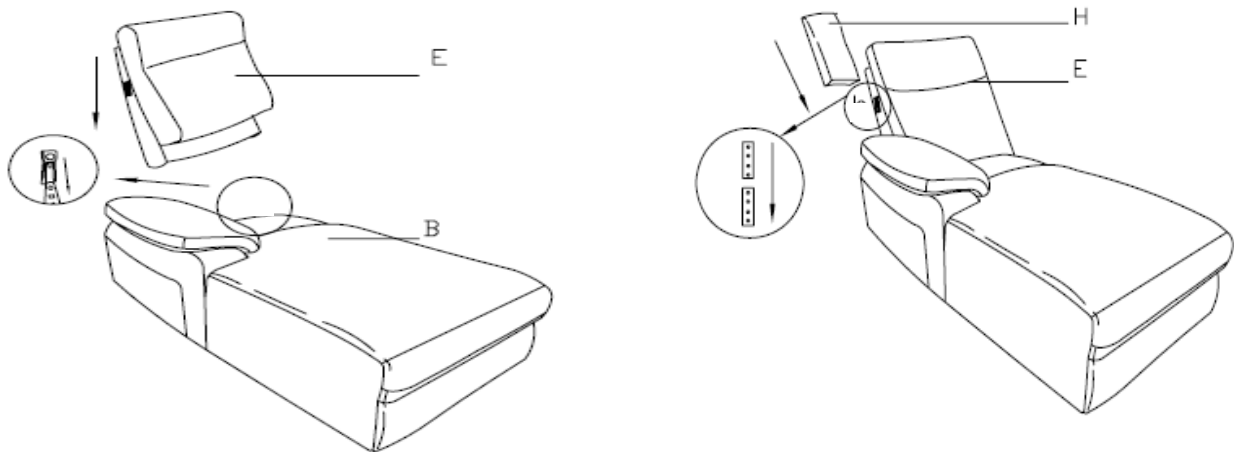
 The console back rest is stored at the bottom of 2 seater, legs and back rests are stored at the bottom of chaise. Please take out for assembly.



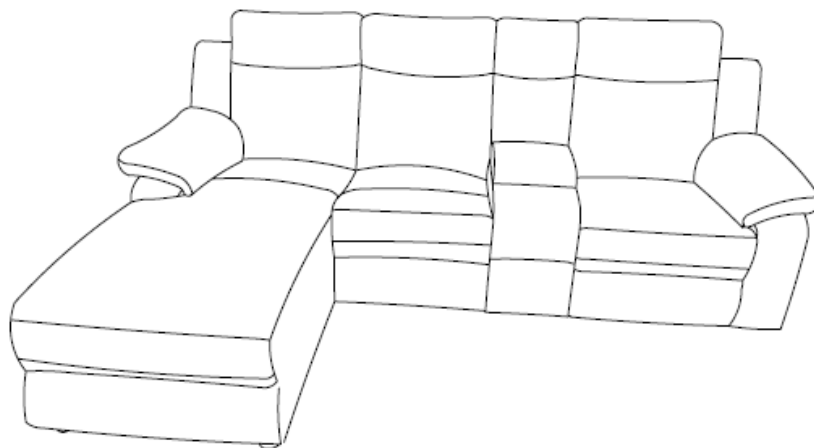
Step 1 Insert the 2 seater back rest to the 2 seater. Align console back rest to the bottom unit and tighten with bolt. Insert the ear to the 2 seater.



Step 2 Insert chaise back rest to the seat. Insert the ear to chaise.



Step 3 Adjust and fix it properly.



Care instruction for PU furniture.

In order to maintain the original appearance of your PU furniture, please follow below simple care procedures:

- Avoid exposing furniture directly to sunlight or heating and air conditioning outlets. Sunlight and/or exposure to heating and air conditioning outlets will fade/damage PU. Do not place your PU surface furniture too close to windows, radiators, or vents, and be sure to use windows, radiators, or vents.
- Vacuum or wipe with a cloth regularly to remove dust.
- Clean PU surface furniture with professional cleanser.



For items use on wooden floor, hard surfaces or carpets, it is recommended to install protective pads under all legs and supports to avoid/prevent from damages/scratches and discoloration.