






## Assembly Instruction

# DOUBLE RECLINING LOVE SEAT

ITEM NO.: 9980-2

**NOTE: Do not use power tools for assembly. Power tools increase the risk of over tightening which leads to splitting or cracking the wood.**

### COMPONENT LIST (LOVE SEAT)

NO.	DRAWING	QTY	DESCRIPTION
A		1	SEAT
B	 BR BL	2	BACK REST BR&BL
C	 CL CR	2	LEFT & RIGHT EAR

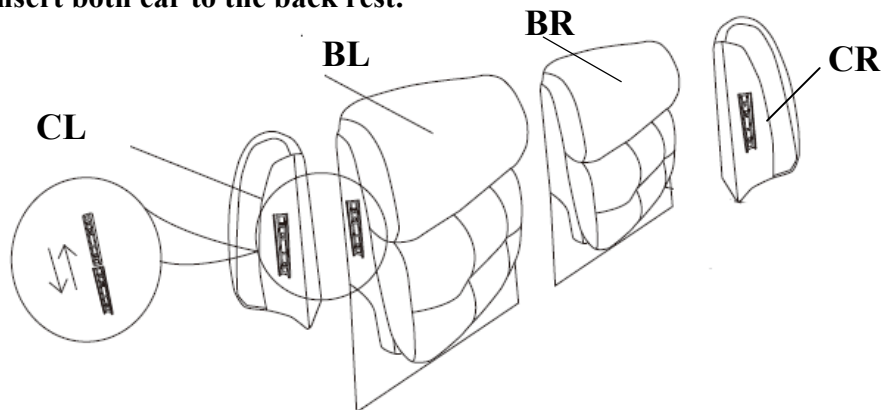
#### STEP# 1

LSF/RSF ear is stores in the bottom of the seat, please take out for assembly.



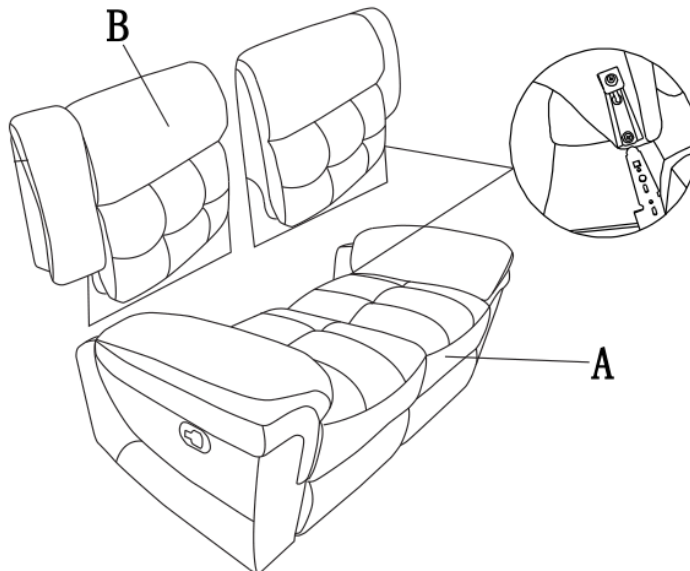
### STEP# 2

Insert both ear to the back rest.



### STEP# 3

Align the female brackets at the back onto the male brackets at the seat, insert back rest to the seat and make sure it is fixed in position securely.



### Care Instruction for Polyester Furniture.

In order to maintain the original appearance of your polyester furniture, please follow below simple care procedures:

- Avoid exposing furniture directly to sunlight or heating and air conditioning outlets. Sunlight and/or exposure to heating and air conditioning outlets will fade/damage polyester. Do not place your fabric furniture too close to windows, radiators, or vents.
- Vacuum or wipe with a soft brush to remove dust.



**For items use on wooden floor, hard surfaces or carpets, it is recommended to Install protective pads under all legs and supports to avoid/prevent from damages/scratches and discoloration.**