



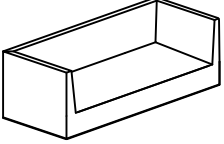
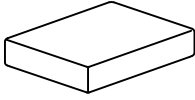
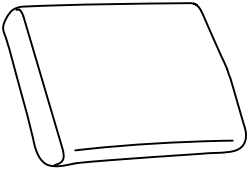

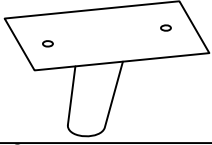
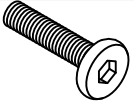
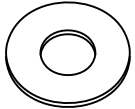

# Assembly Instruction

## Love Seat

ITEM NO. : 8289BU/GY-2

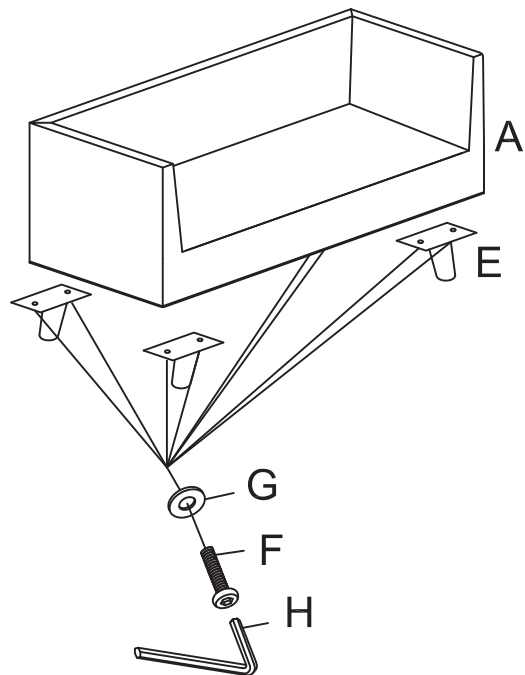
**NOTE:** Do not use power tools for assembly. Power tools increase the risk of over tightening which lead to shitting or cracking the wood.

### COMPONENT LIST

NO.	DRAWING	QTY	DESCRIPTION
A		1	LOVE SEAT
B		2	SEAT CUSHION
C		2	BACK REST
D		2	ARM CUSHION
E		4	LEG
F		8	BOLT ( $\frac{5}{16}$ "*30MM)
G		8	FLAT WASHER (8*19MM)
H		1	ALLEN KEY ( $\frac{5}{16}$ "

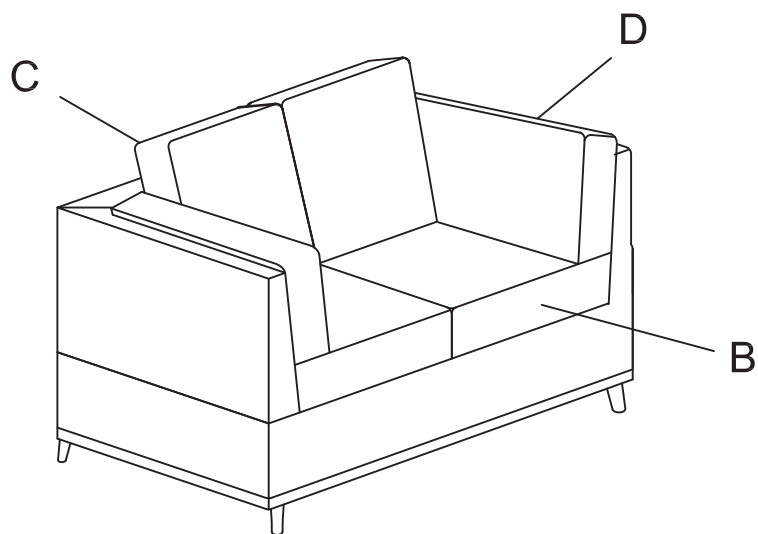
## STEP1 :

Align the legs to the pre-drilled holes at the bottom of the units, insert bolts then tighten with Allen Key.



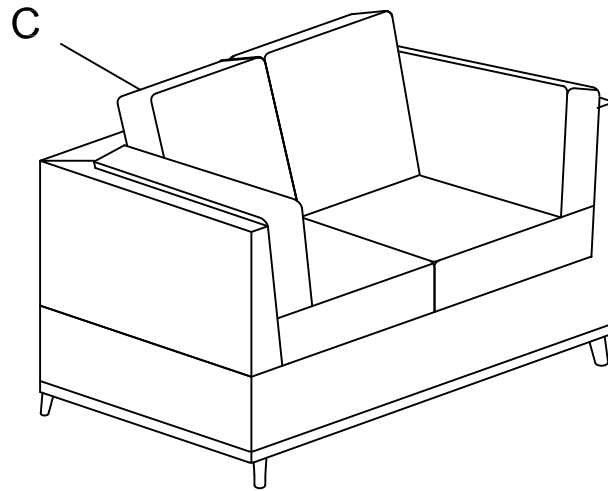
## STEP2 :

Put on cushion,back rest pillow on the love seat



### STEP3 :

Assembly completed.



### Care instruction for Fabric furniture.

In order to maintain the original appearance of your Fabric furniture, please follow below simple care procedures:

- Avoid exposing furniture directly to sunlight or heating and air conditioning outlets. Sunlight and/or exposure to heating and air conditioning outlets will fade/damage fabrics. Do not place your upholstered furniture too close to windows, radiators, or vents, and be sure to use windows, radiators, or vents.
- Vacuum or wipe with a cloth regularly to remove dust.
- Clean Fabric furniture with professional cleanser.



For items use on wooden floor, hard surfaces or carpets, it is recommended to Install protective pads under all legs and supports to avoid/prevent fromdamages/scratches and discoloration.