





## Assembly Instruction

# GLIDER RECLINING CHAIR

### ITEM NO.: 8206BRW-1

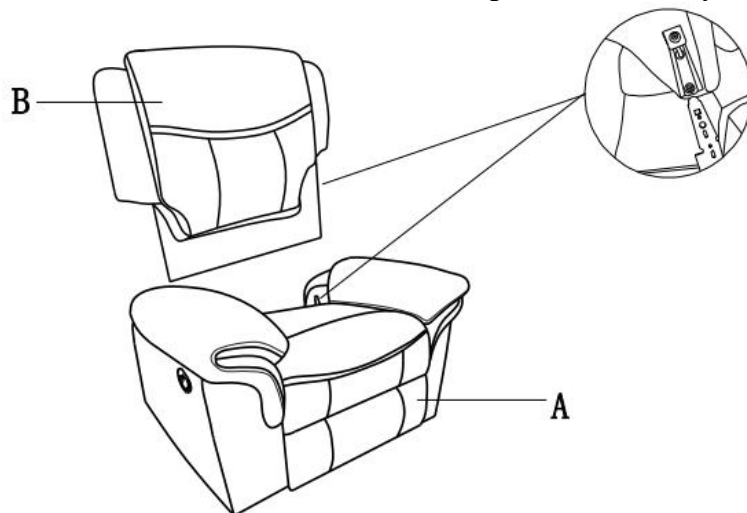
**NOTE:** Do not use power tools for assembly. Power tools increase the risk of over tightening which leads to splitting or cracking the wood.

#### COMPONENT LIST (CHAIR)

| NO. | DRAWING   | QTY | DESCRIPTION |
|-----|---|-----|-------------|
| A   |   | 1   | SEAT        |
| B   |  | 1   | BACK REST   |

#### STEP# 1

Align the female brackets at the back onto the male brackets at the seat, insert back rest to the seat and make sure it is fixed in position securely.



**STEP#2 Chair Assembly is completed. Enjoy it!**



### **Care Instruction for AIREHYDE Match Furniture.**

In order to maintain the original appearance of your AIREHYDE match furniture, please follow below simple care procedures:

- Avoid exposing furniture directly to sunlight or heating and air conditioning outlets. Sunlight and/or exposure to heating and air conditioning outlets will fade/damage AIREHYDE match. Do not place your AIREHYDE match furniture too close to windows, radiators, or vents.
- Vacuum or wipe with a soft brush to remove dust.
- Clean AIREHYDE with professional cleanser.



**For items use on wooden floor, hard surfaces or carpets, it is recommended to install protective pads under all legs and supports to avoid/prevent from damages/scratches and discoloration.**