

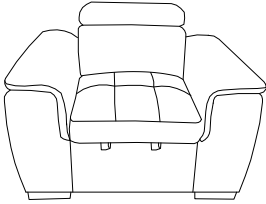


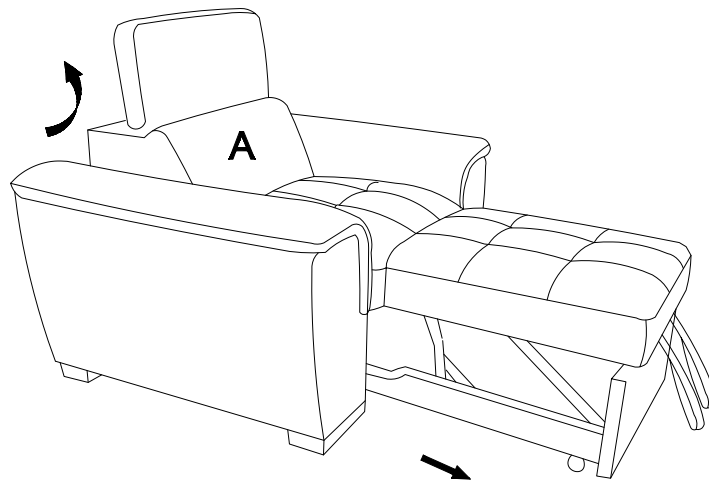
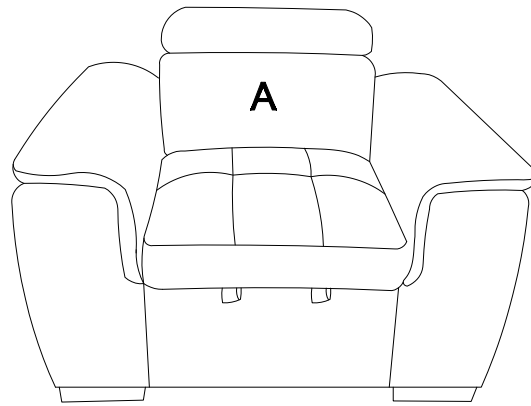
# ASSEMBLY INSTRUCTION

ITEM NO.: 9808SGY/STP-1  
Chair with Pull-out Ottoman

**NOTE:** Do not use power tools for assembly. Power tools increase the risk of over tightening which lead to splitting or cracking the wood.

## COMPONENT LIST

NO.	DRAWING	QTY	DESCRIPTION
A		1	CHAIR



## Care instruction for fabric furniture.

In order to maintain the original appearance of your furniture, please follow below simple care procedures:

- Avoid exposing furniture directly to sunlight or heating and air conditioning outlets. Sunlight and or exposure to heating and air conditioning outlets will fade/damage fabric.
- Do not place your upholstered furniture too close to windows, radiators, or vents, and be sure to use windows, radiators, or vents.
- Vacuum or wipe with a cloth regularly to remove dust.



For items used on wooden floor, hard surfaces or carpets, it is recommended to install protective pads under all legs and supports to avoid/prevent from damages/scratches discoloration.