



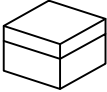


Assembly Instruction

OTTOMAN

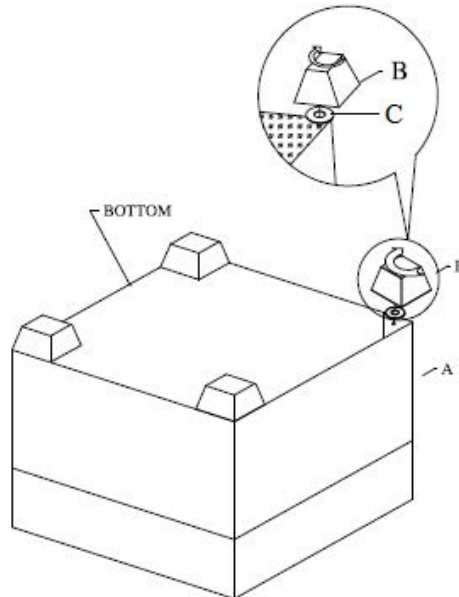
ITEM NO.: 8225NGY-4

NOTE: Do not use power tools for assembly. Power tools increase the risk of over tightening which leads to splitting or cracking the wood.

COMPONENT LIST

NO.	DESCRIPTION	SKETCH	QTY
A	SEAT		1PC
B	LEG		4PCS
C	GASKET		4PCS

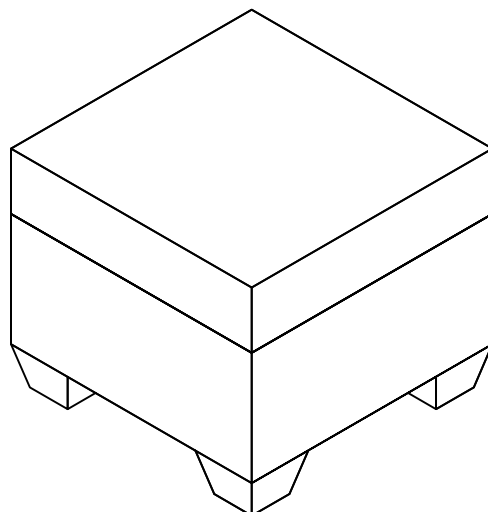
STEP 1



Remove the dust cover, take out the leg stored at the bottom of the seat for assembly

STEP 2

COMPLETED !



CARE INSTRUCTION FOR POLYESTER:

In order to maintain the original appearance of your polyester furniture, please follow below simple care procedure:

- **Avoid exposing furniture directly to sunlight or heating and air conditioning outlets. Exposure to sunlight or heating and air conditioning outlets will fade/damage polyester.**
- **Wipe gently with a damp soft cloth to remove dust, dirt and any grime build up.**
- **Wipe polyester with professional cleanser.**



It is recommended to install protective pads under all legs and supports to avoid damage or scratches when placing furniture on a wood floor or other hard surface, and to limit indentation and prevent discoloration if placing on carpet.



Il est recommandé de placer des coussins protecteurs sous tous les pieds et toutes les bases des meubles pour éviter d'endommager ou d'égratigner les planchers en bois ou autres surfaces dures, et pour limiter l'empreinte et empêcher la décoloration quand les meubles reposent sur la moquette.