



# Assembly Instruction



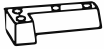
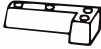


ITEM NO.: 9355CC-RC  
 (2/4)RIGHT SIDE CHAISE WITH  
 ADJUSTABLE HEADREST AND  
 HIDDEN STORAGE



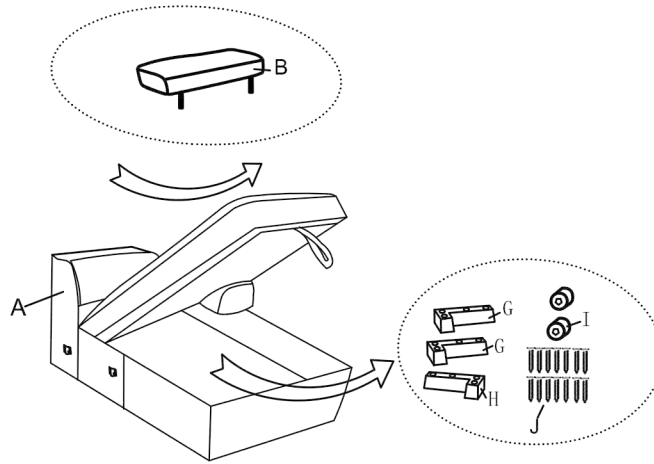
Parts are stored in each unit as show in drawings,  
 please take out for assembly.

Note: Do not use power tools for assembly. Power tools increase the risk of over tightening which lead to spliting or cracking the wood.

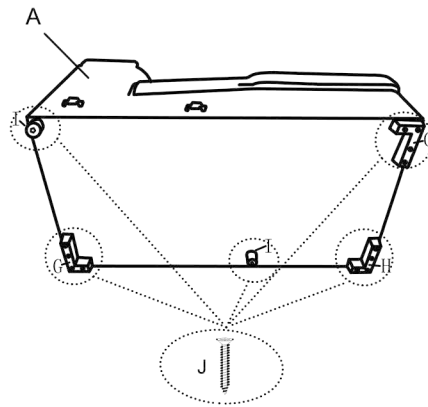
## Component list (chaise)

No	Drawing	Qty	Description
A		1	Chaise
B		1	Headrest
G		2	Plastic Leg (205*110*50mm)
H		1	Plastic Leg (205*110*50mm)
I		2	Plastic Leg (φ55*50mm)
J		14	Screw (M5*50mm)

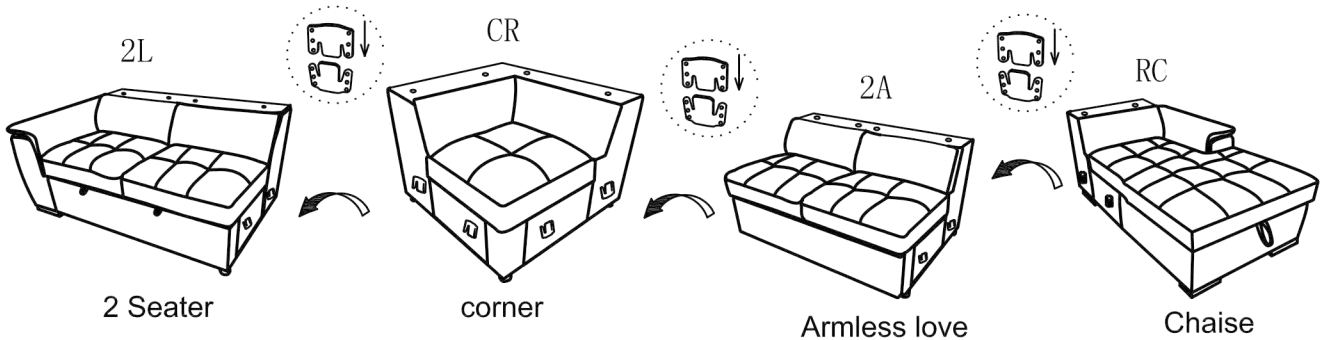
Step #1 Please take out parts which stored inside the seat for assembly.



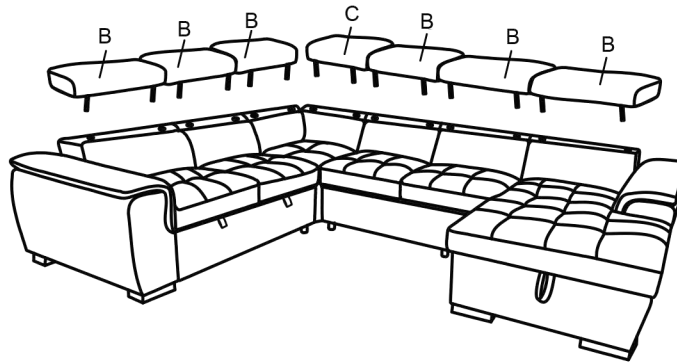
Step #2 Align legs to the pre-drilled holes, insert screws and tighten with screw driver.



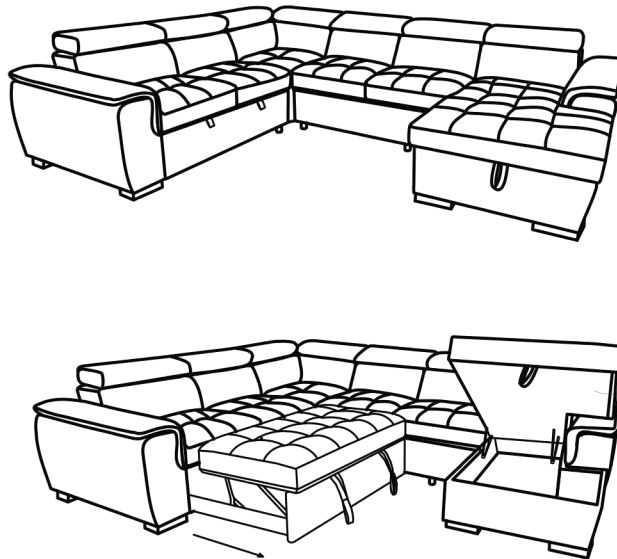
Step #3 Align and connect metal hooks to assemble the sectional.



Step #4 Align and insert all headrest to backrest, push to the end to secure in place properly.



Step #5 Sectional assembly is completed.



## Care Instruction for Chenille Furniture:

In order to maintain the original appearance of your Chenille Furniture, please follow below simple care procedures:

- Avoid exposing furniture directly to sunlight or heating and air conditioning outlets. Sunlight and or exposure to heating and air conditioning outlets will fade/damage Chenille.
- Vacuum or wipe with a soft cloth to remove dust.



For items use on wooden floor, hard surfaces or carpets, it is recommended to Install protective pads under all legs and supports to avoid/prevent from damages/scratches and discoloration.