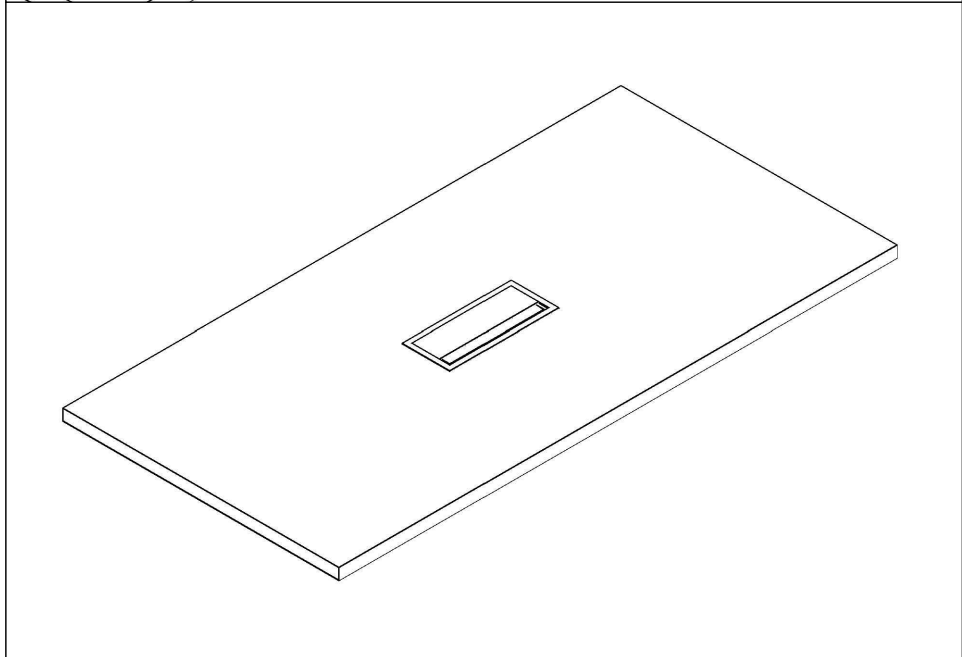
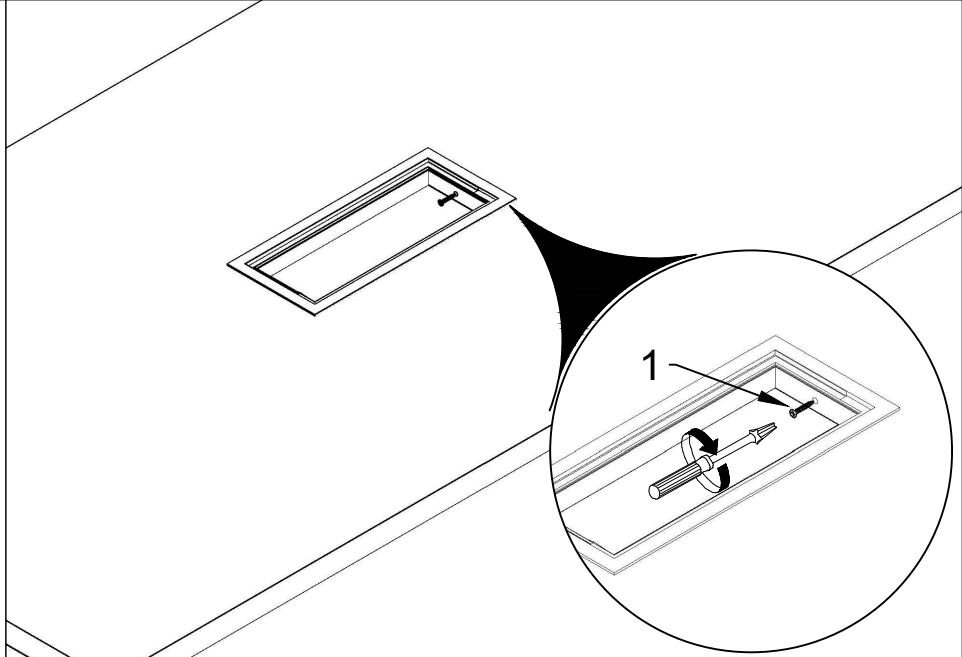
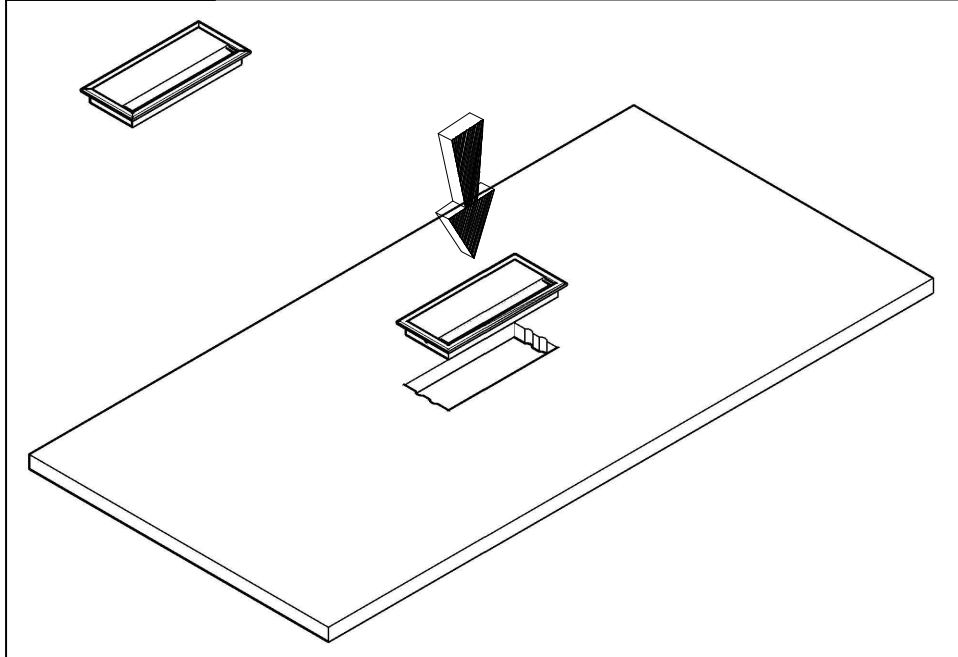


1



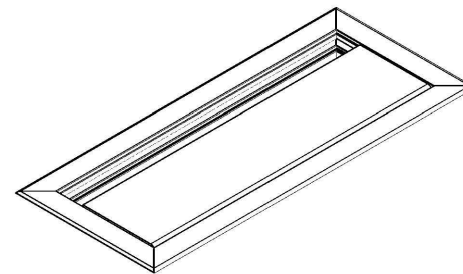
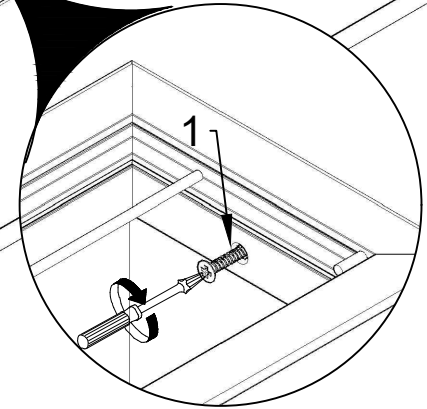
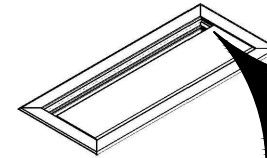
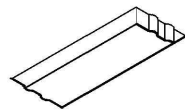
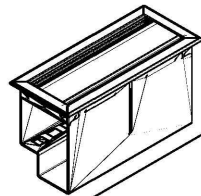
M05



1



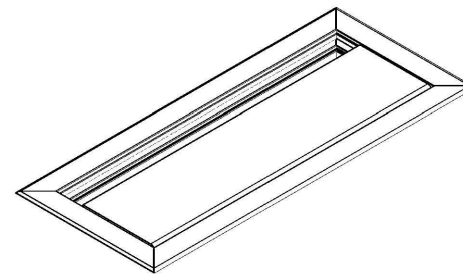
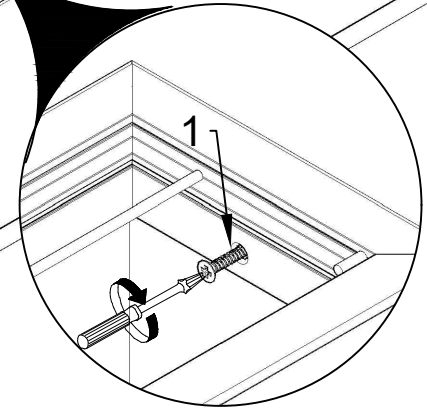
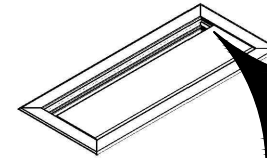
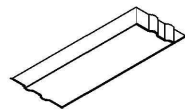
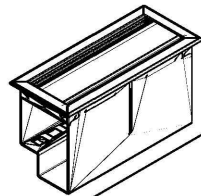
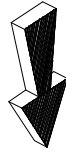
# M04

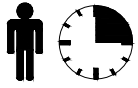


1



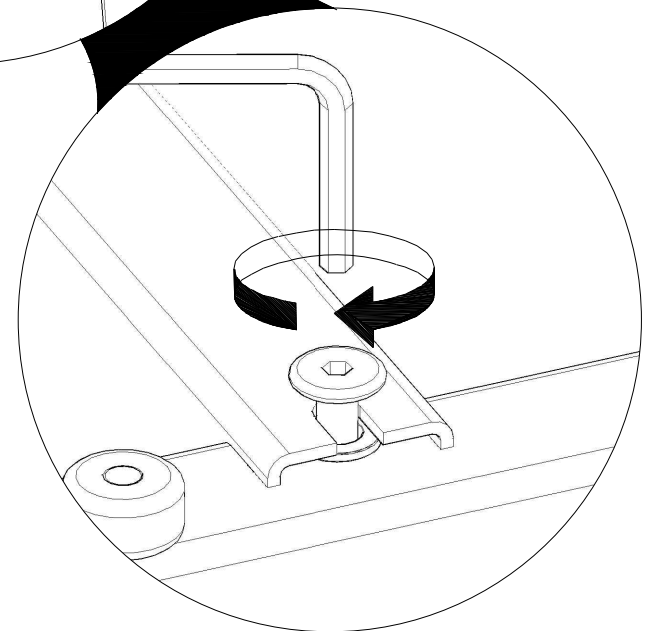
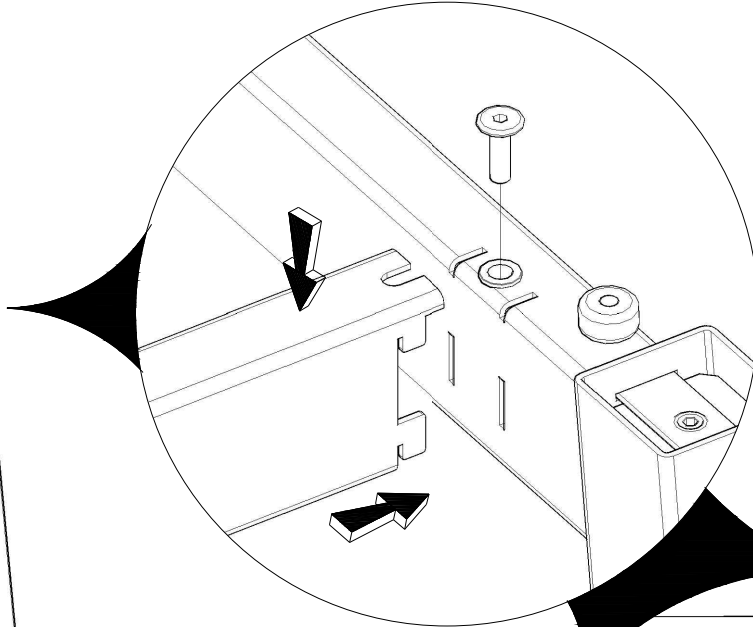
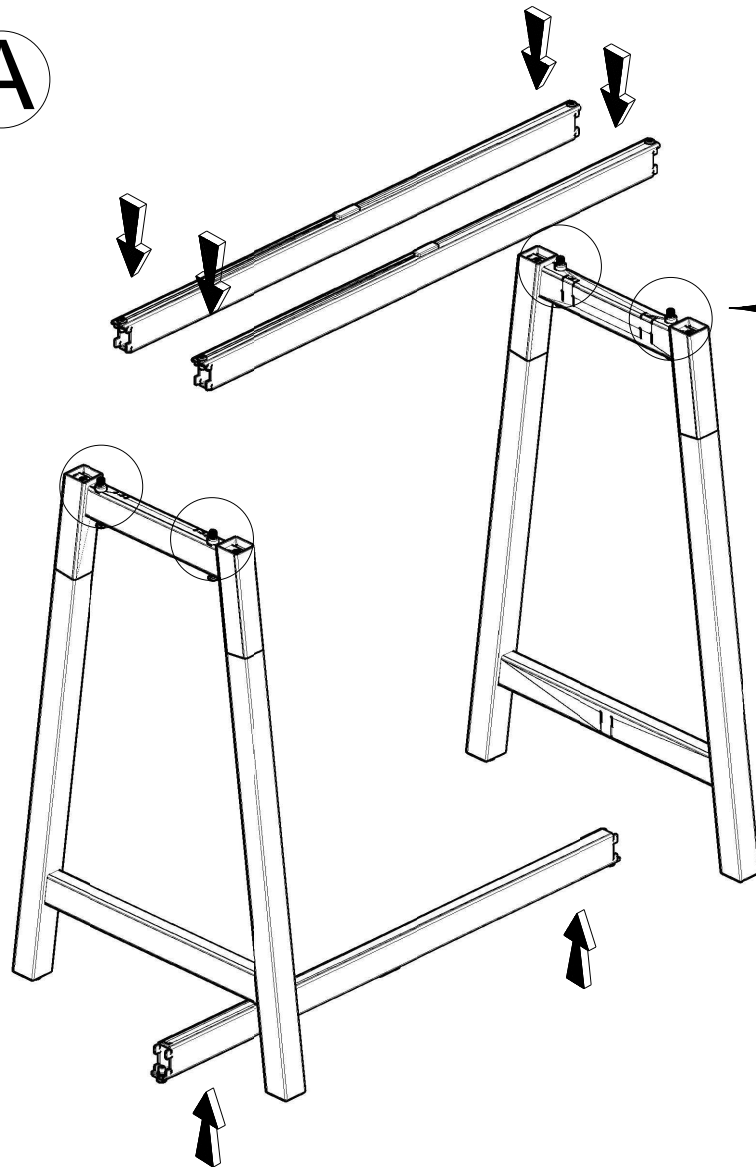
M04



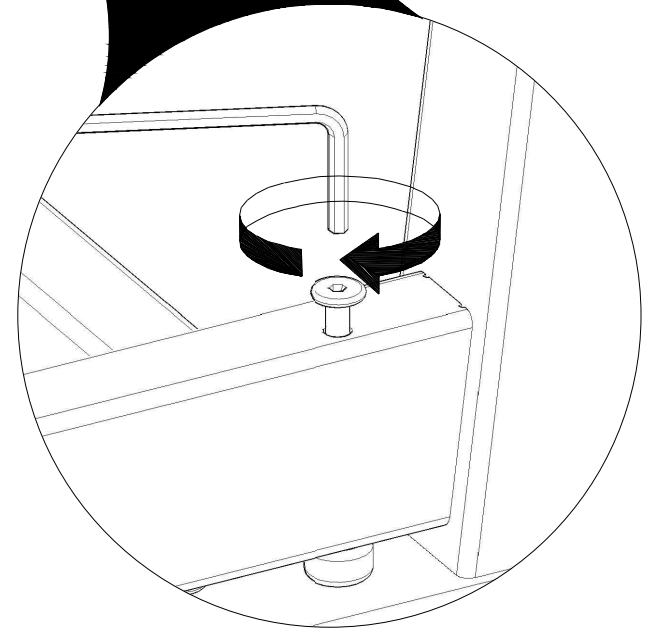
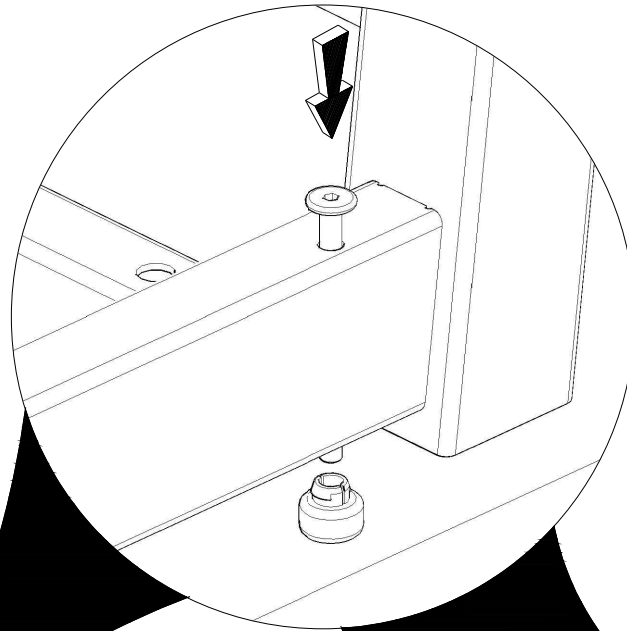
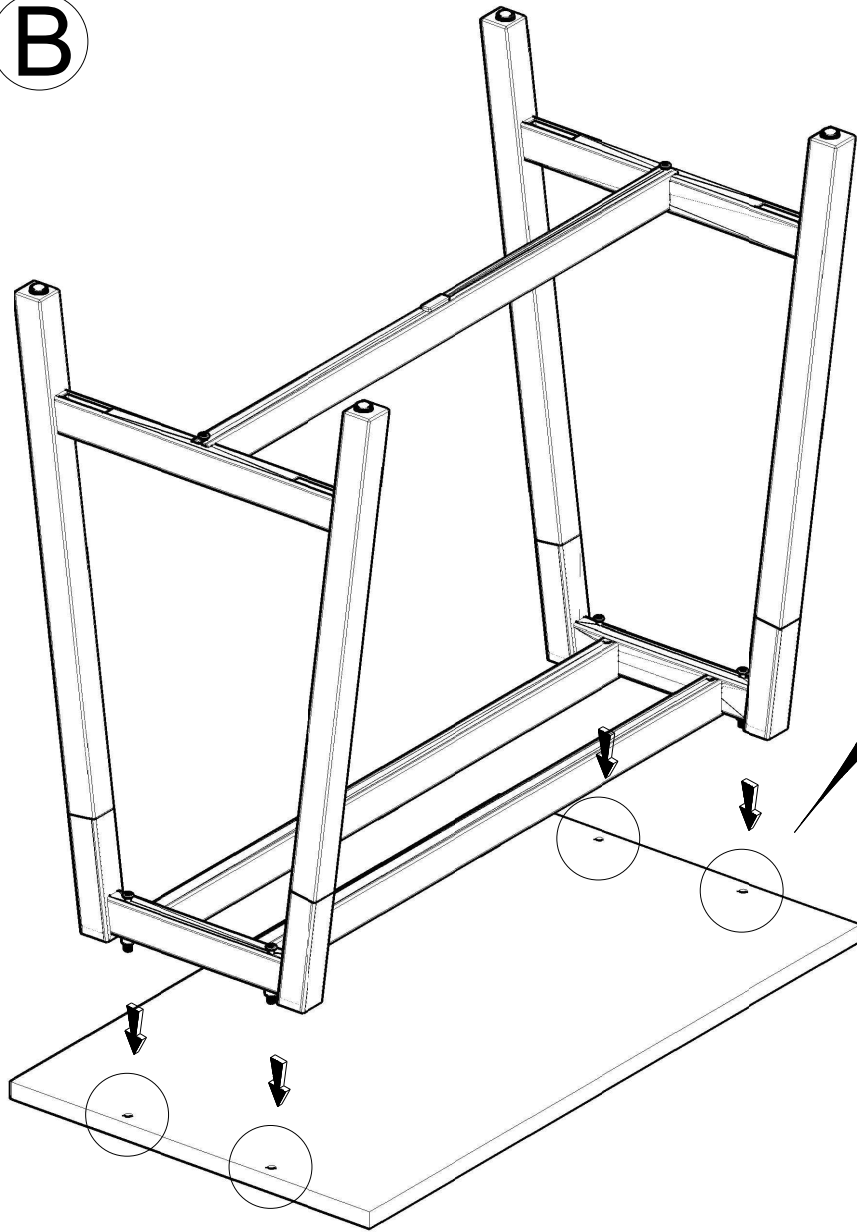


**PSD / PSM**

**A**



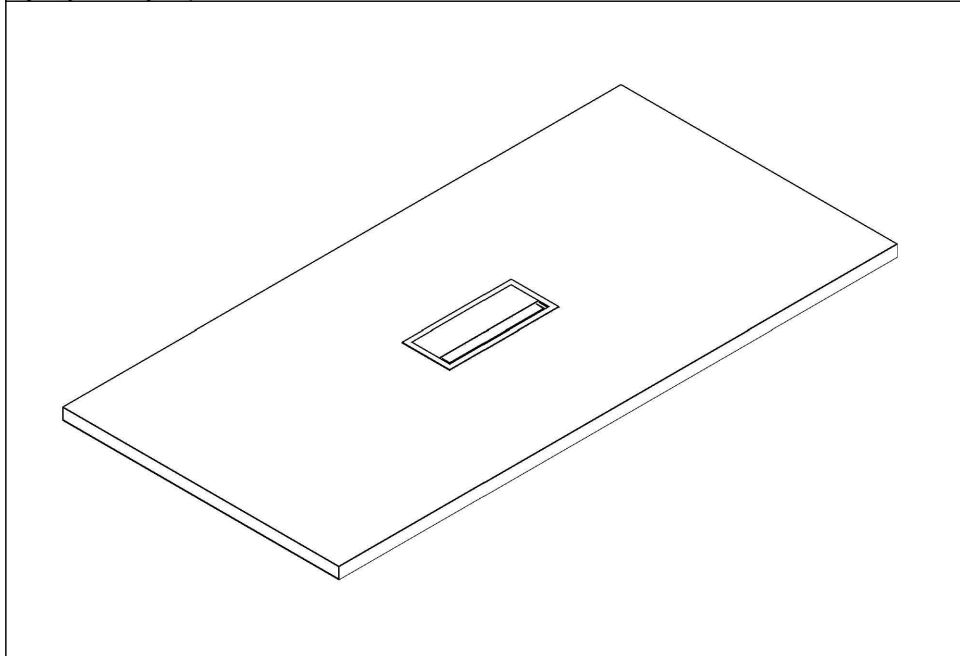
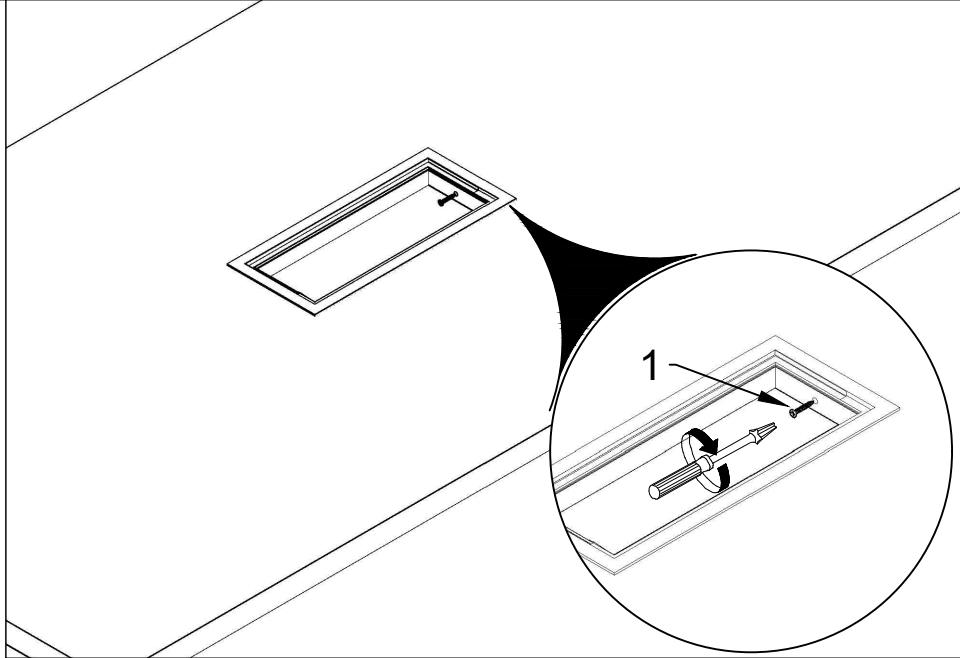
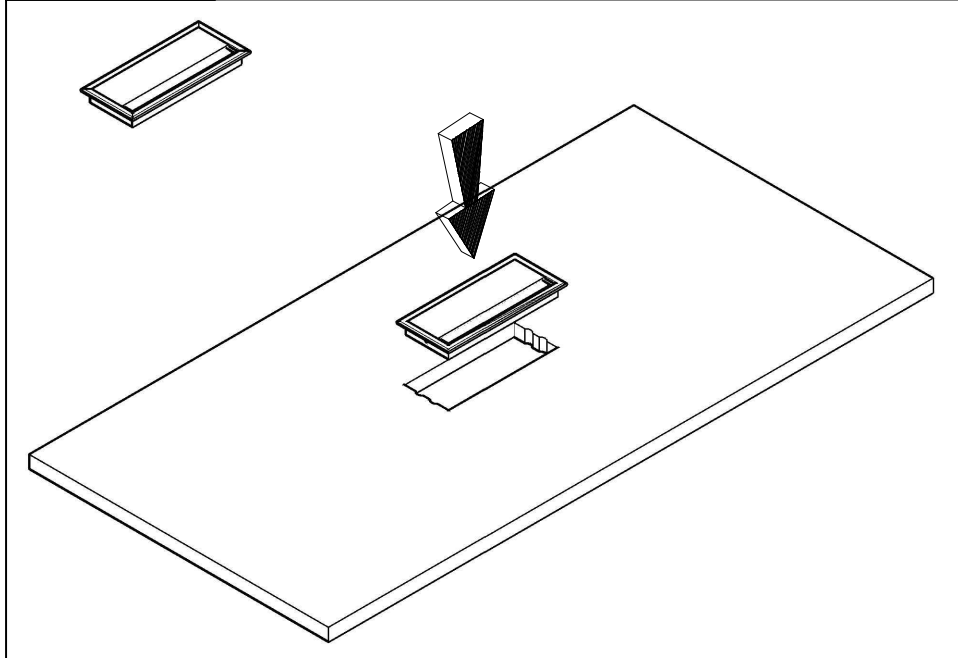
**B**



1



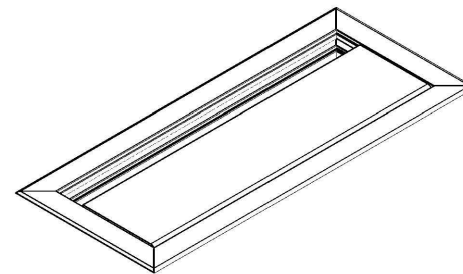
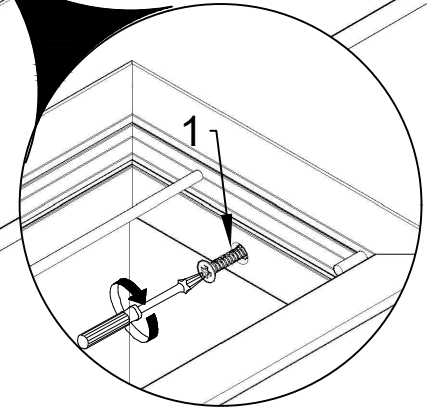
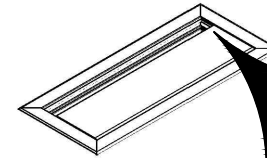
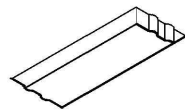
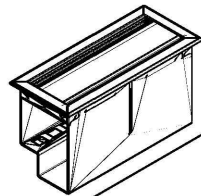
M05



1



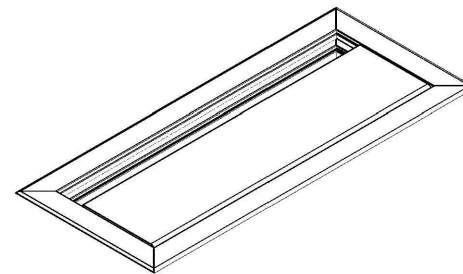
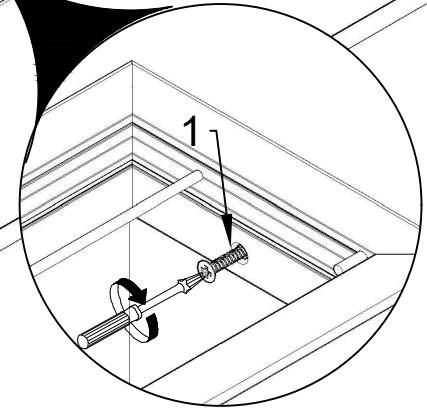
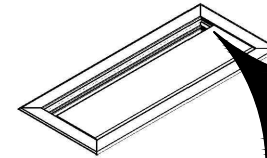
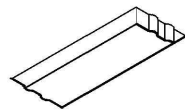
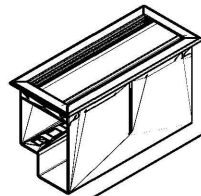
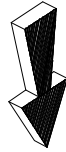
M04

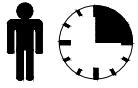


1



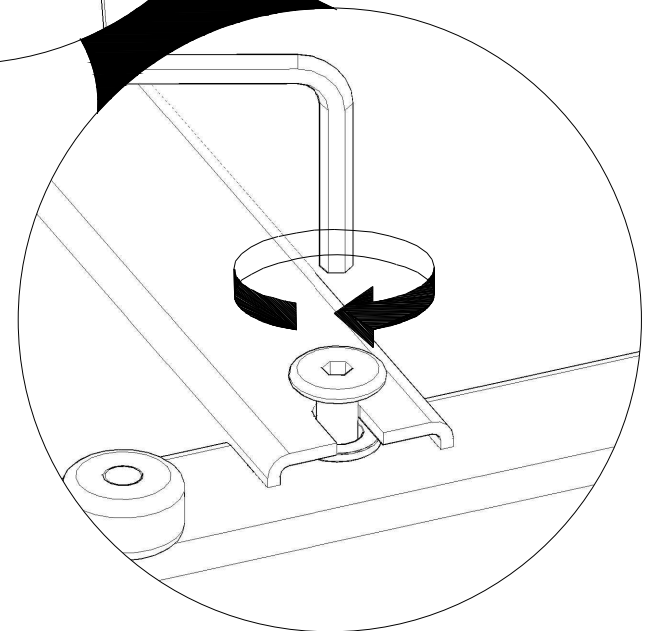
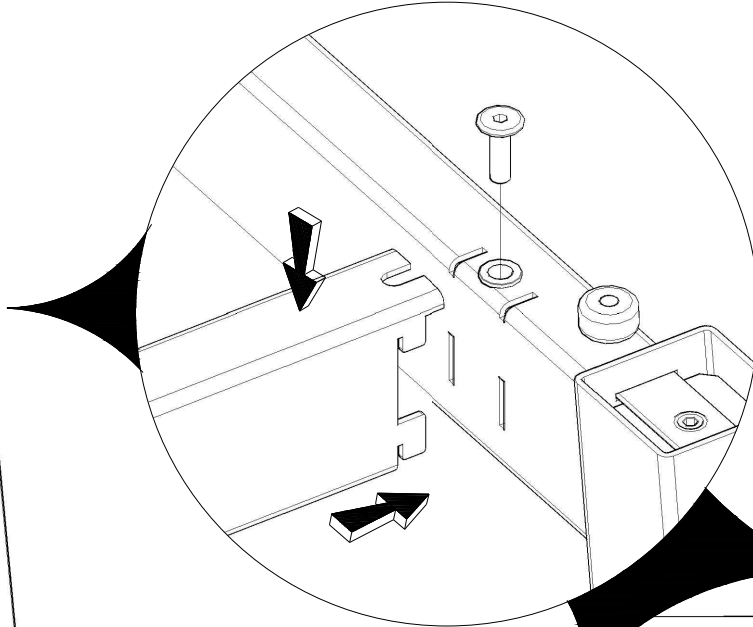
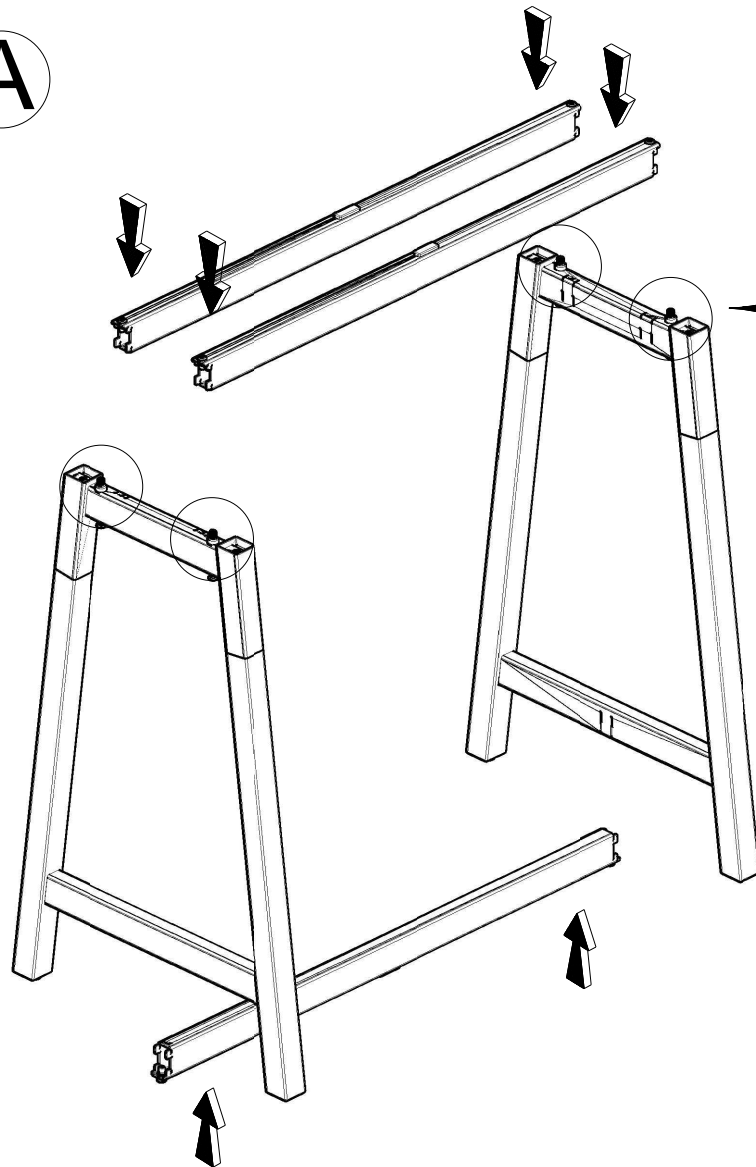
M04



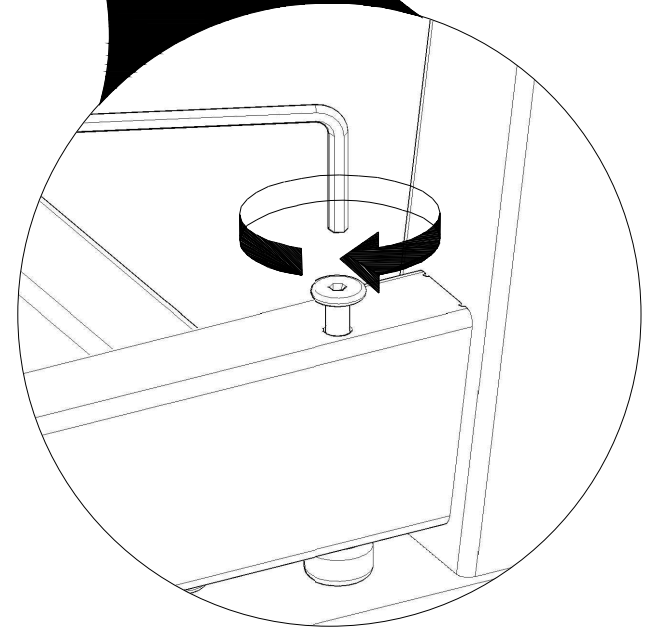
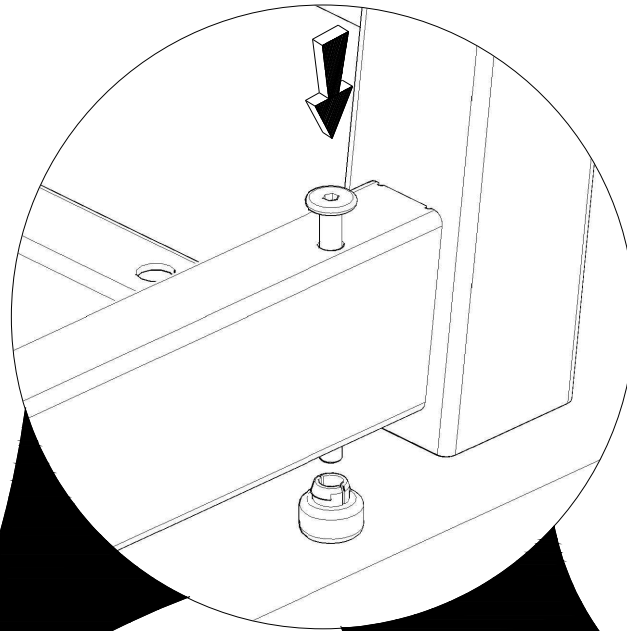
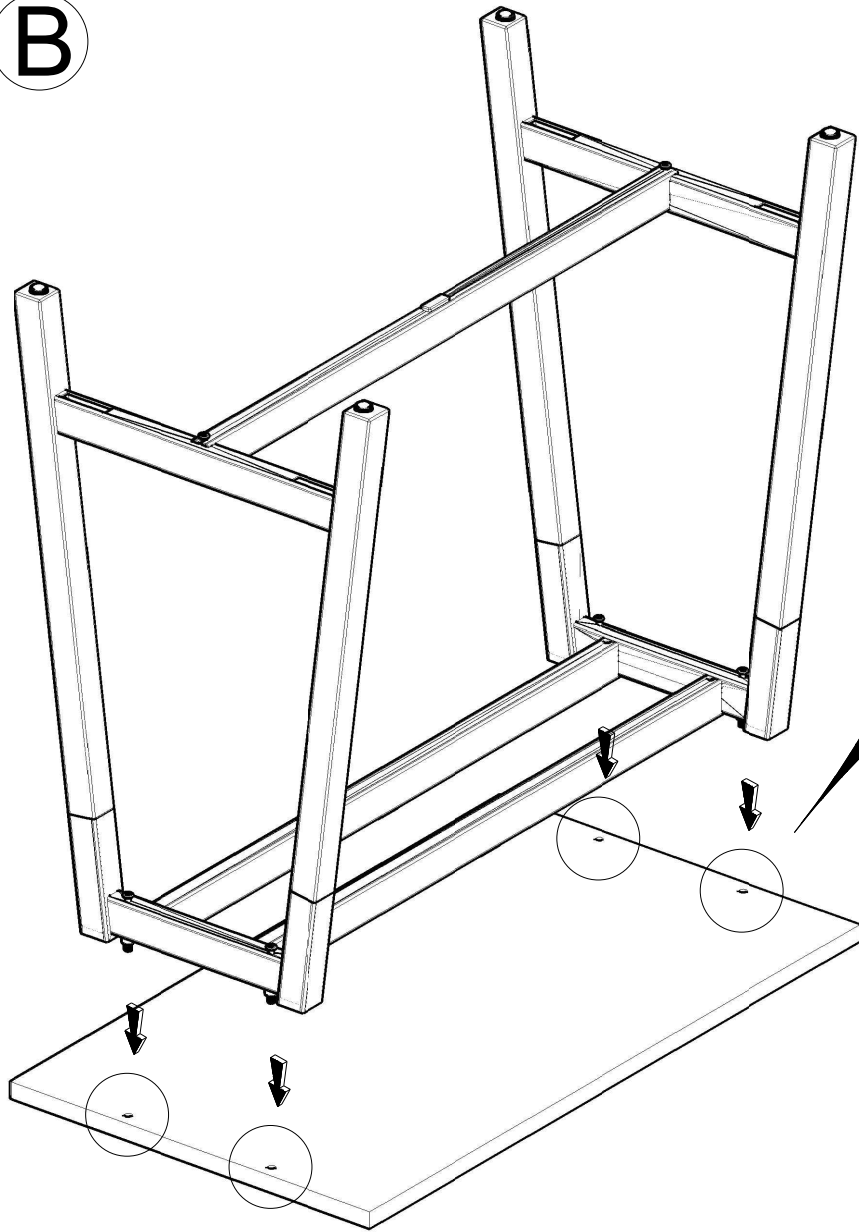


**PSD / PSM**

**A**



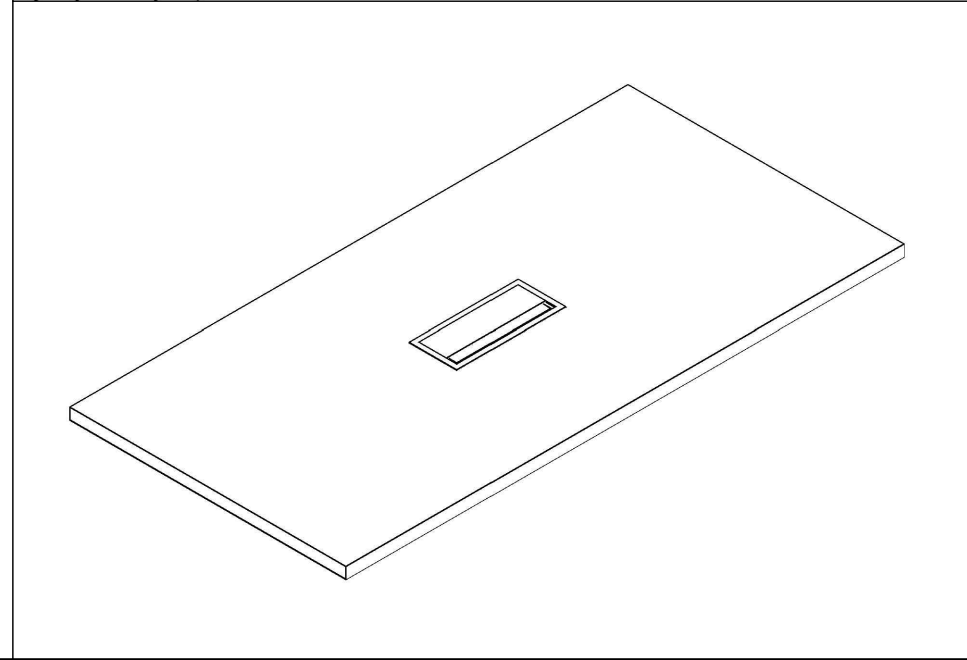
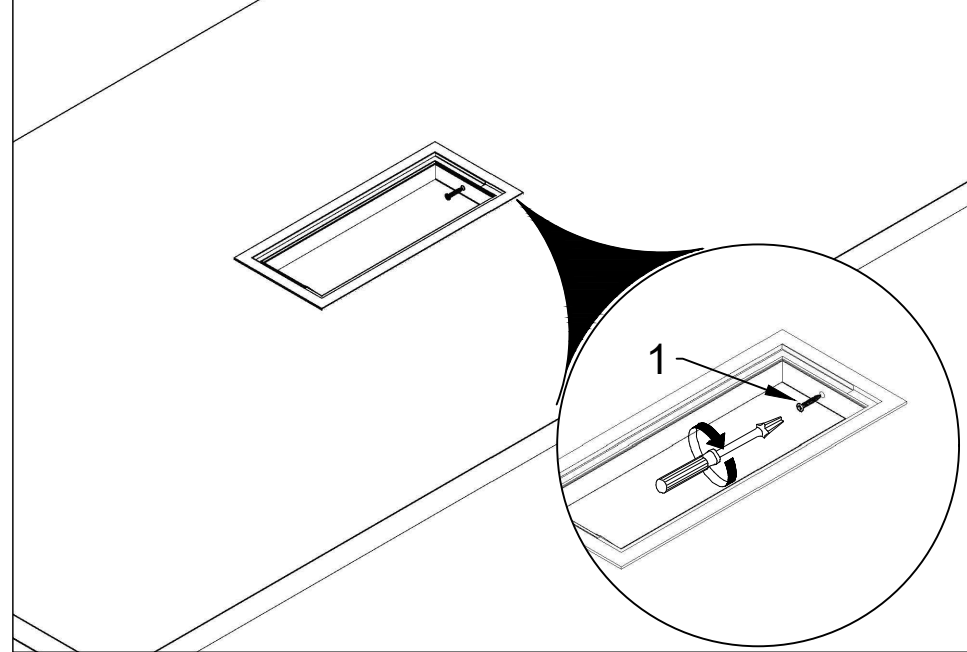
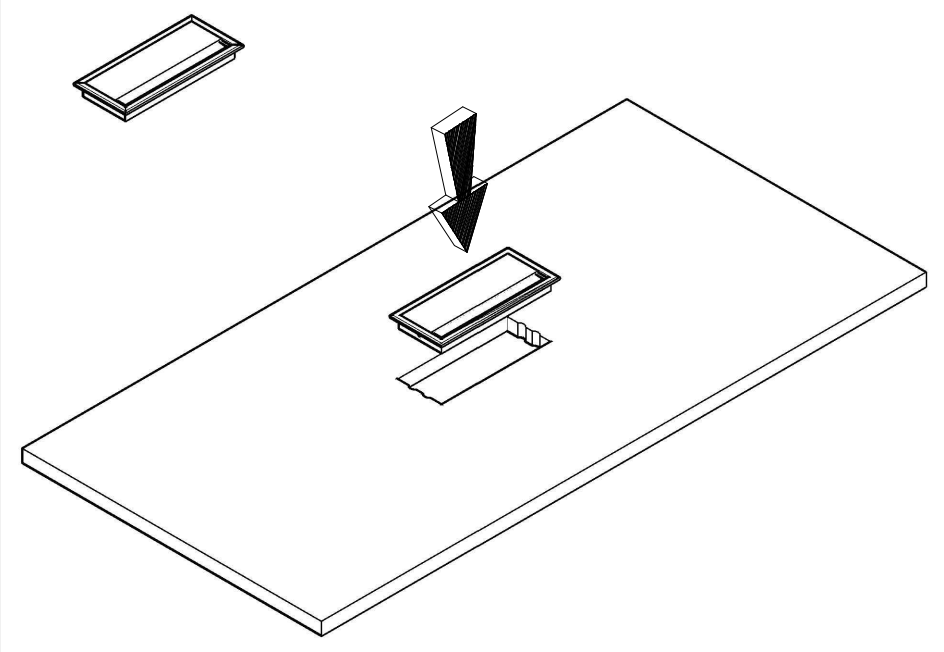
**B**



1



# M05

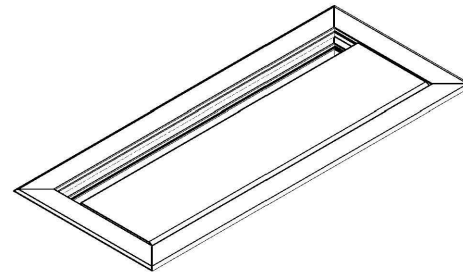
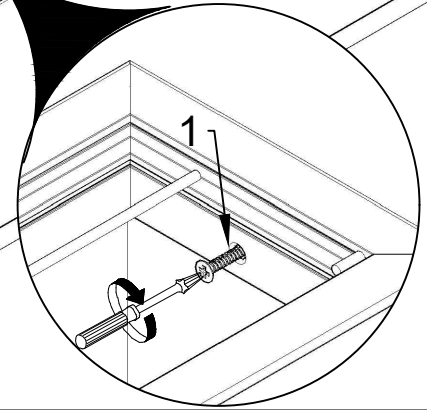
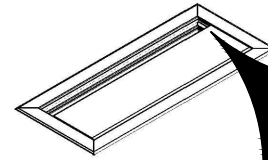
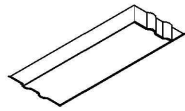
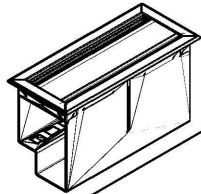
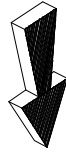


1



3x20

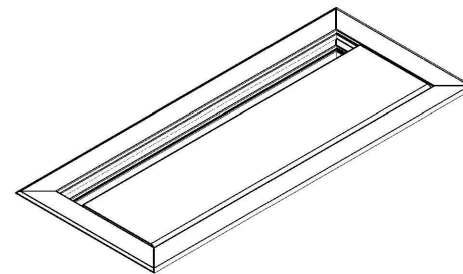
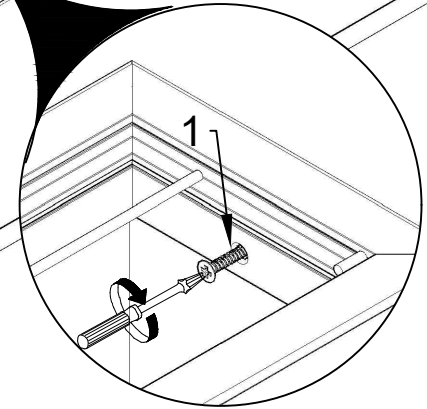
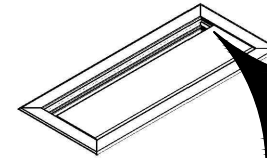
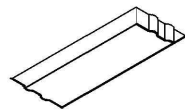
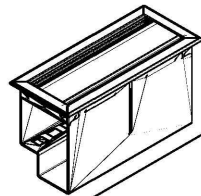
M04

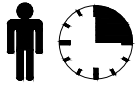


1



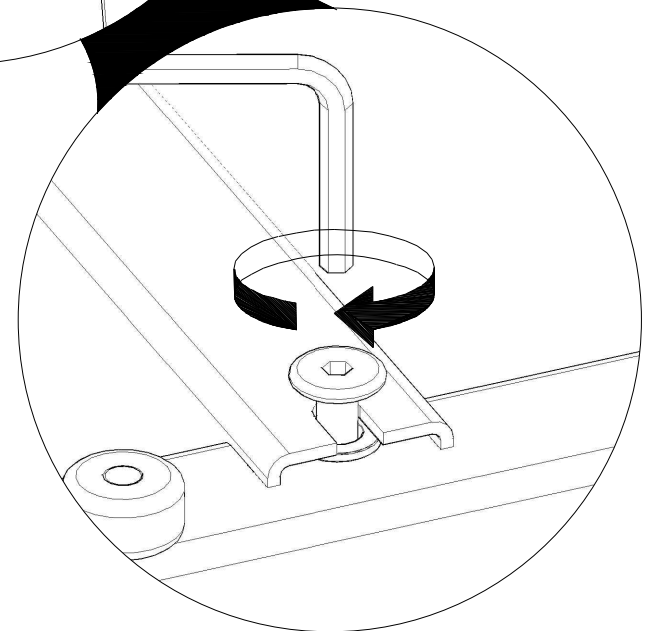
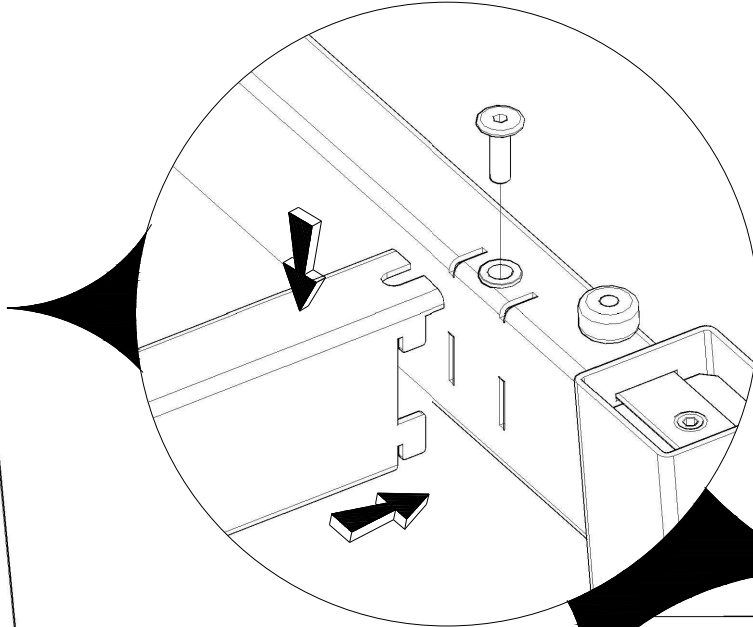
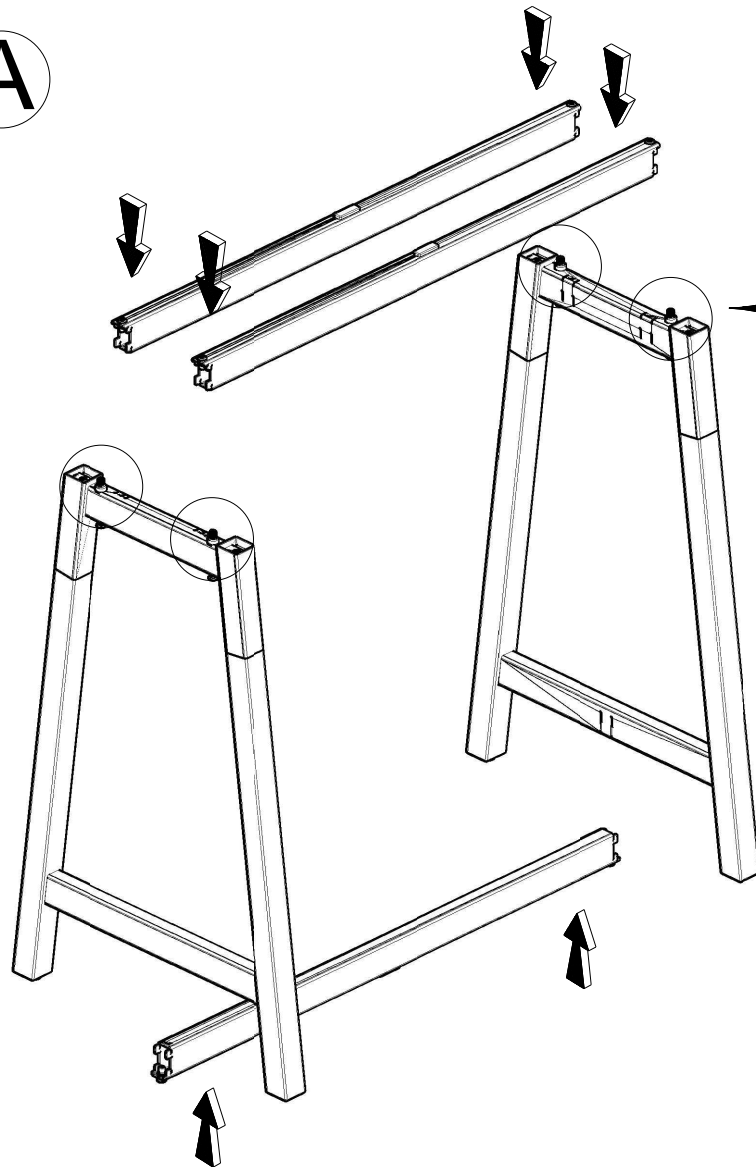
M04



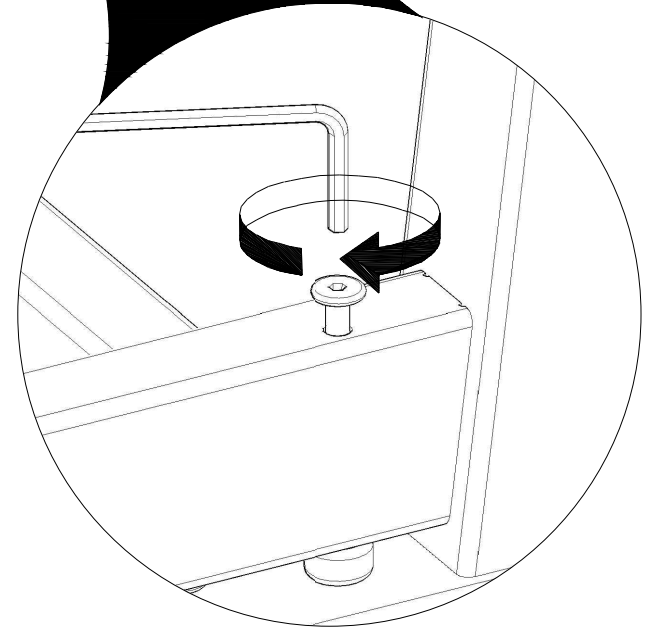
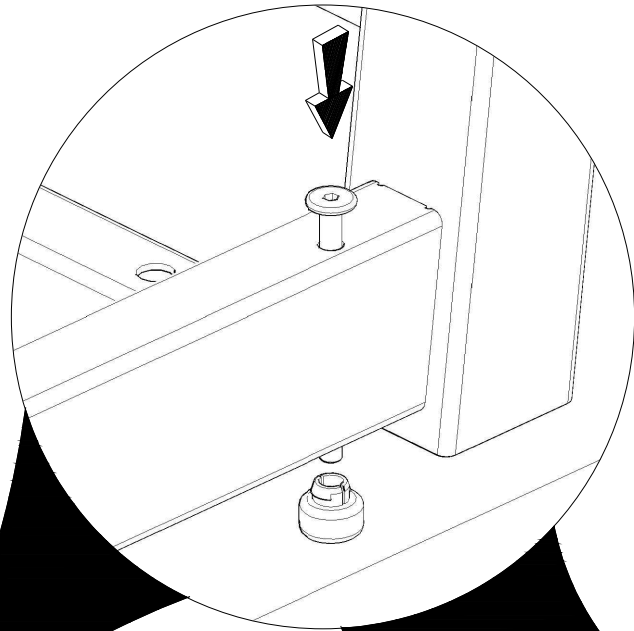
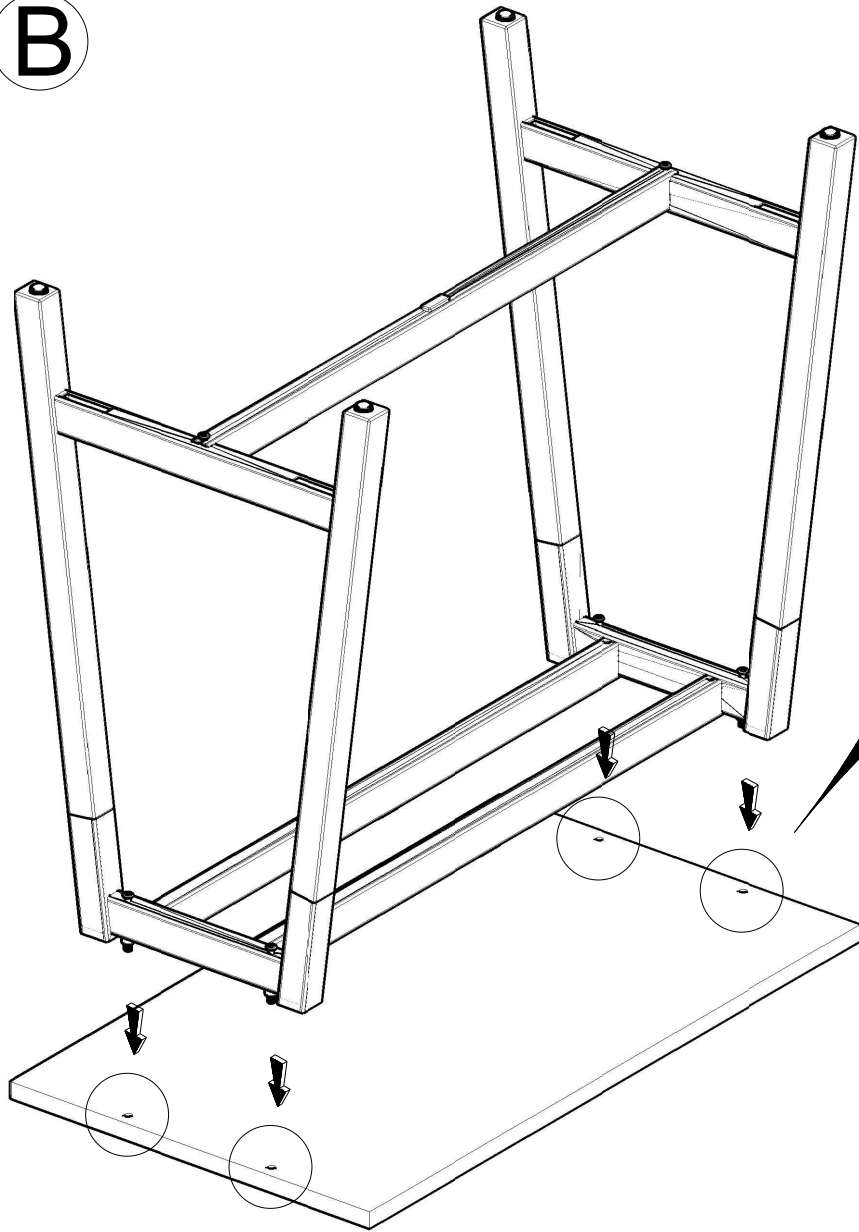


**PSD / PSM**

**A**

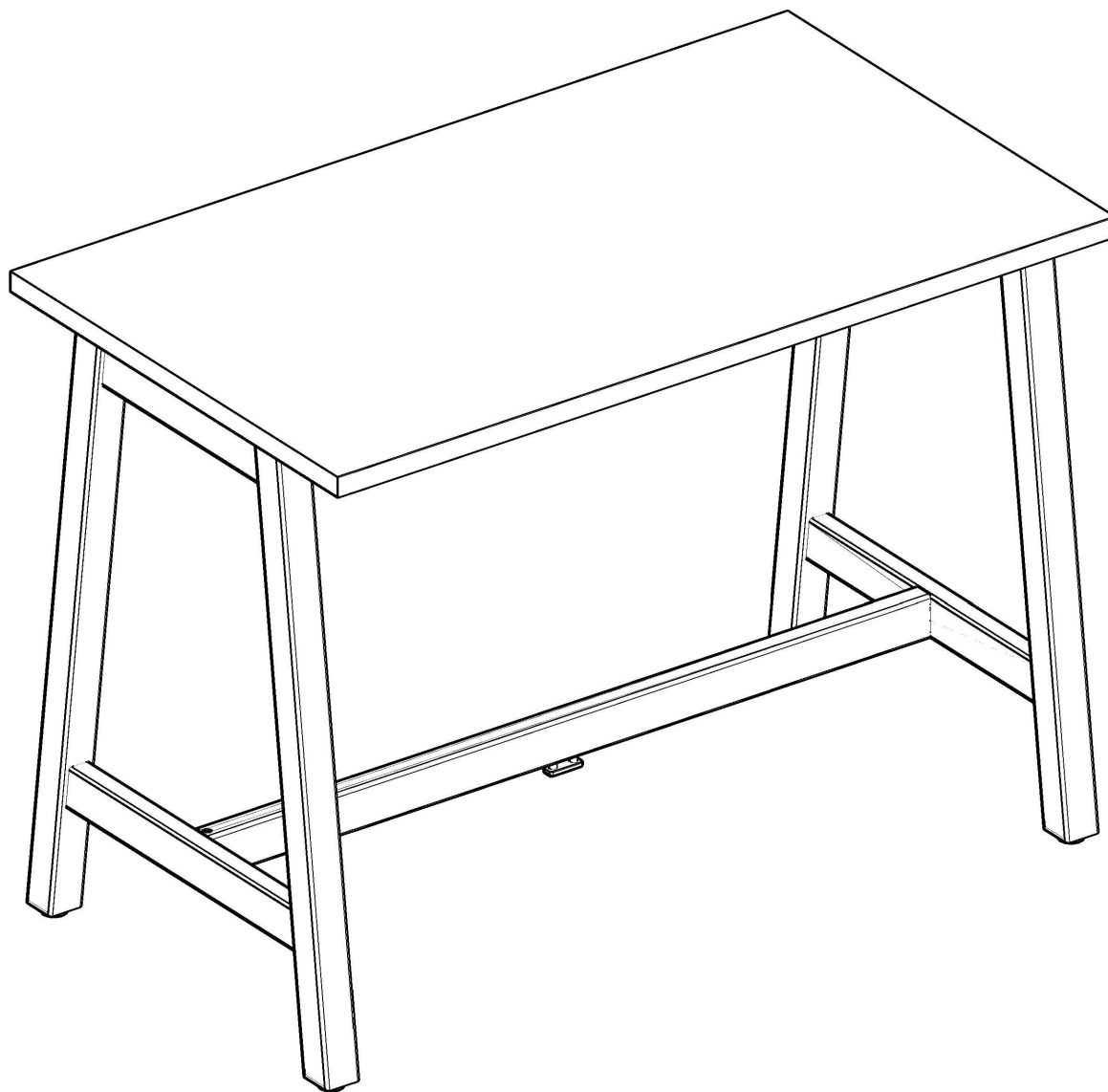


**B**

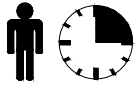


---

**.mdd**

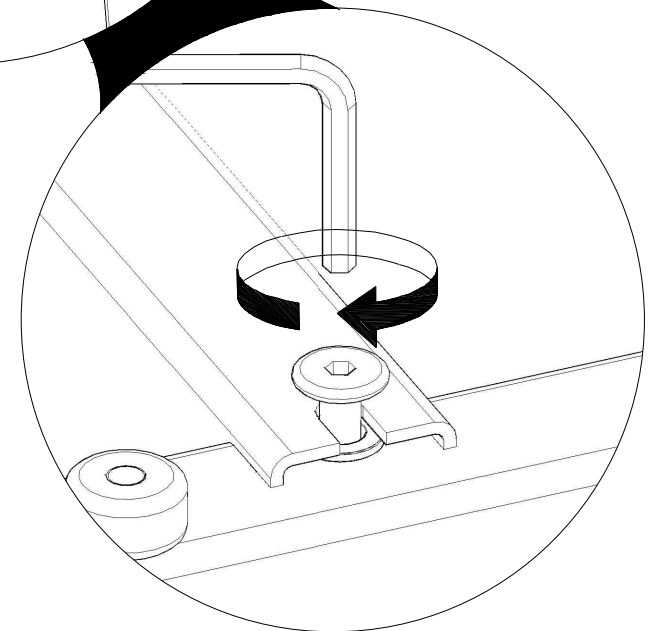
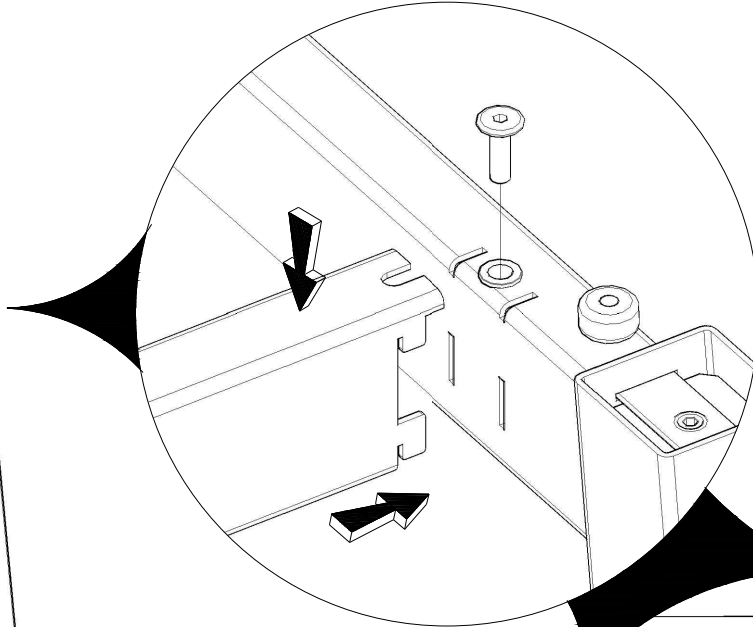
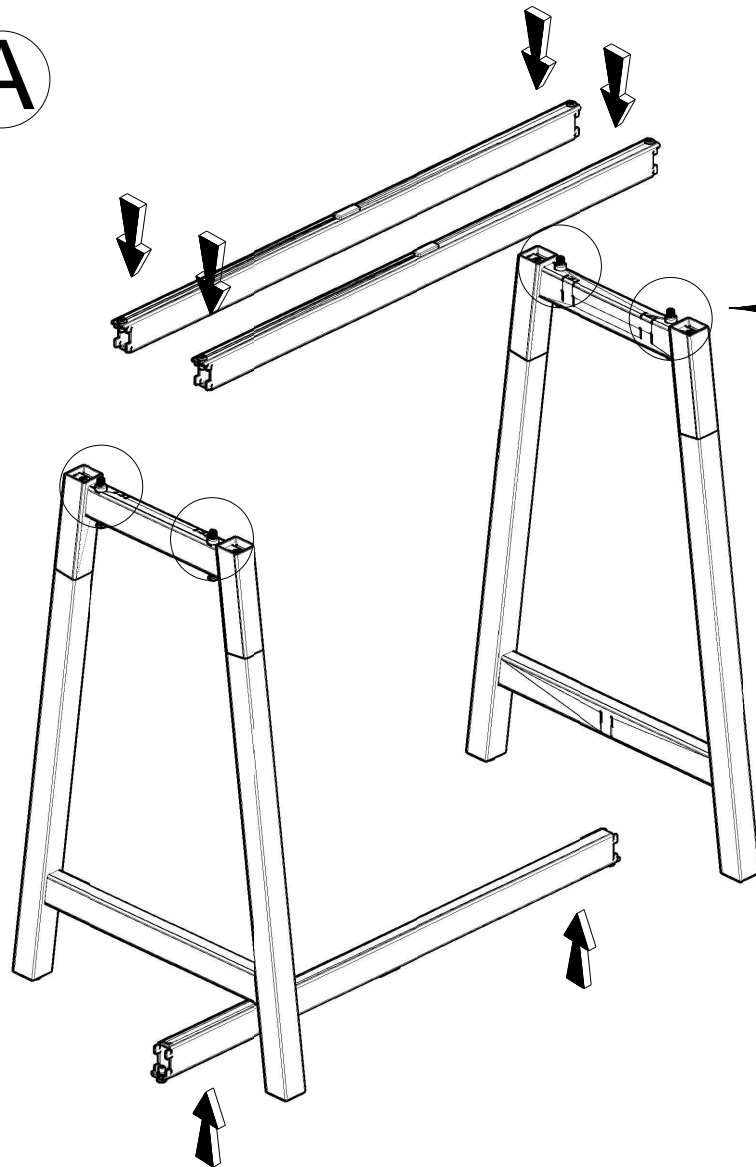


**PSM82**

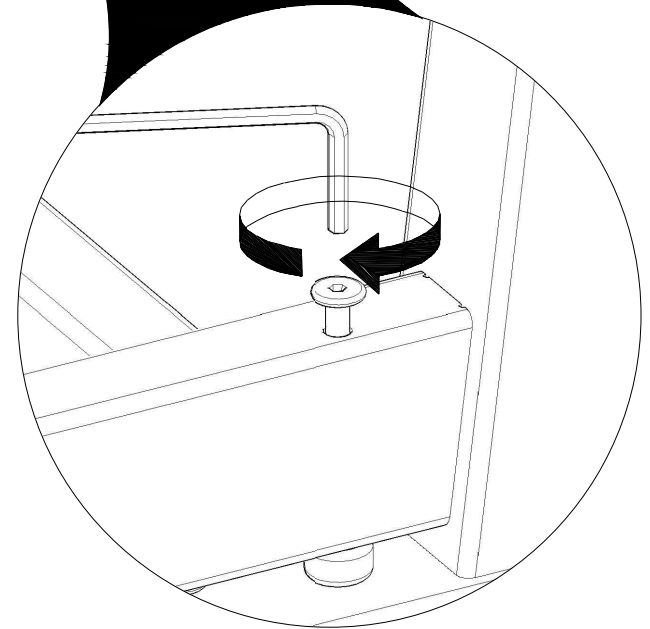
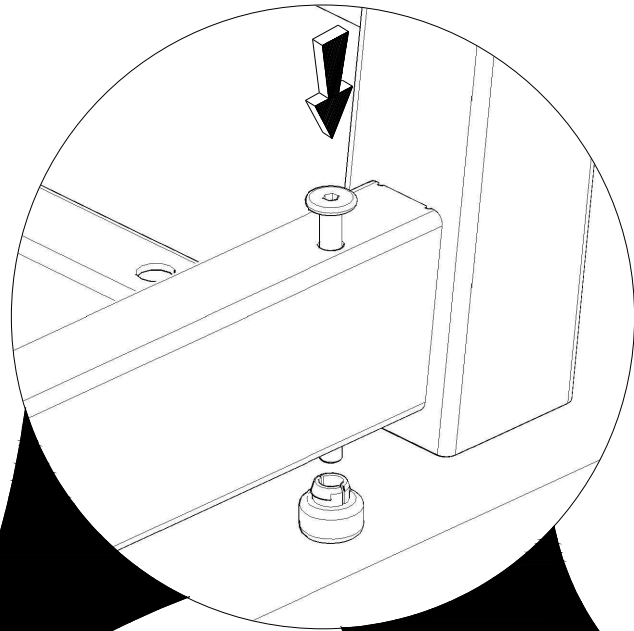
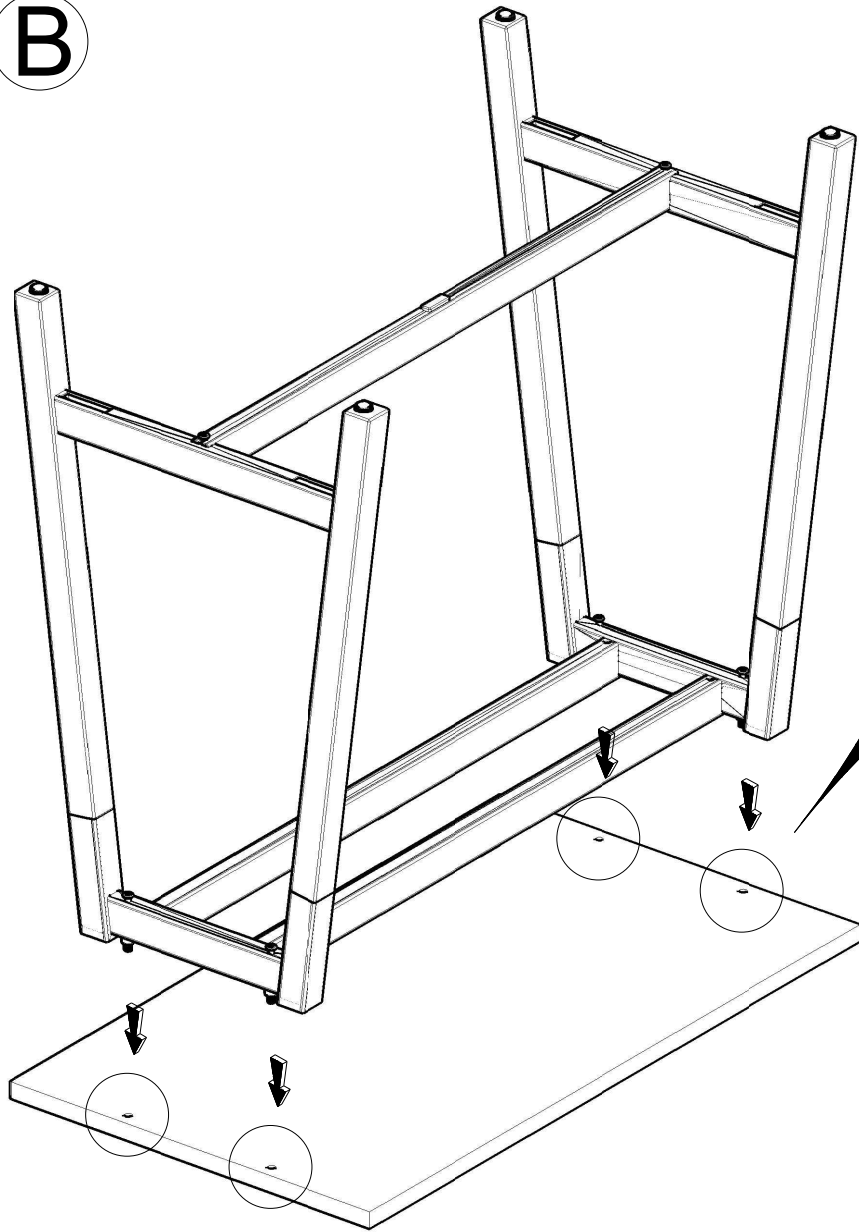


**PSD / PSM**

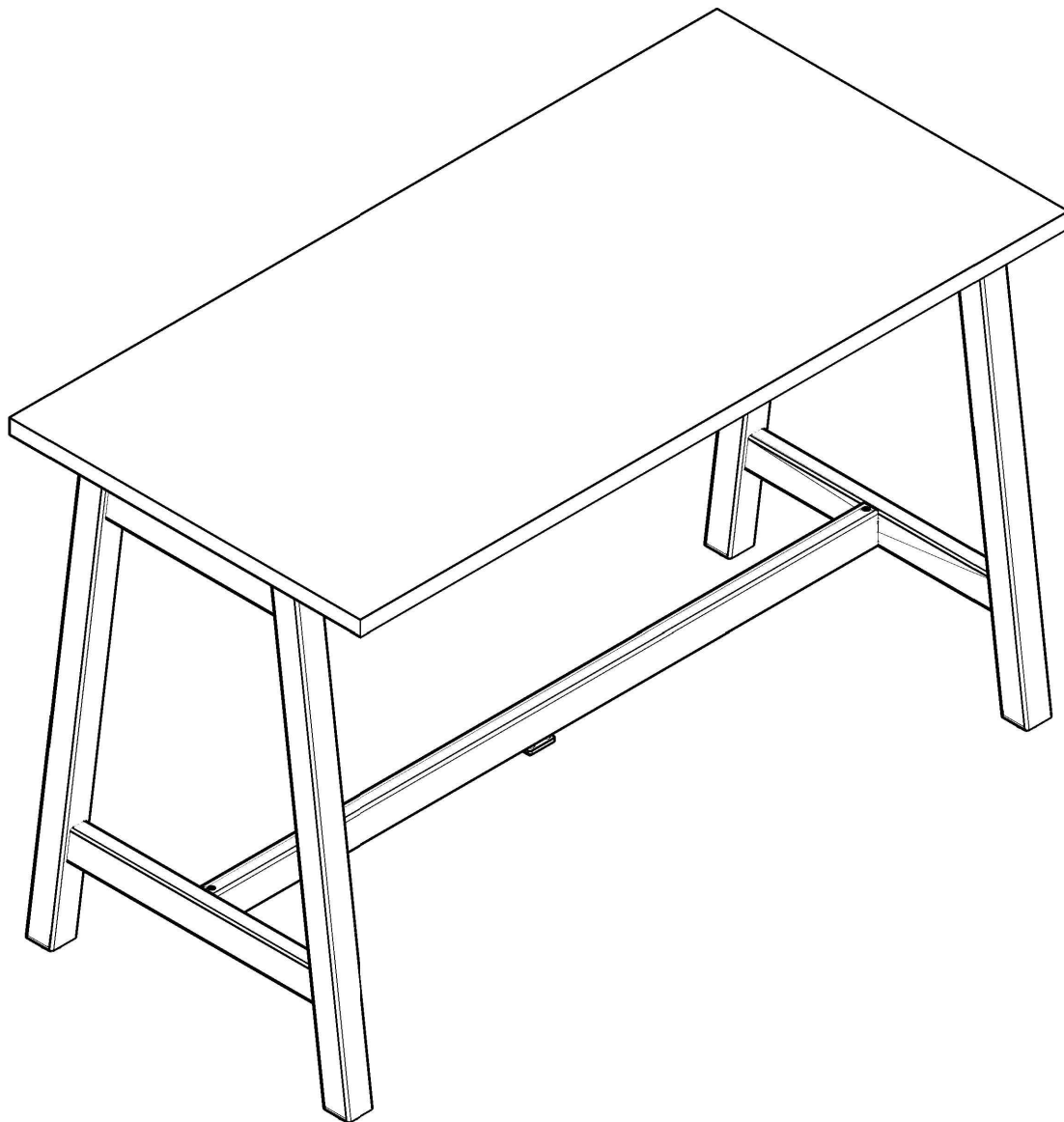
**A**



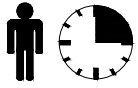
**B**



**.mdd**

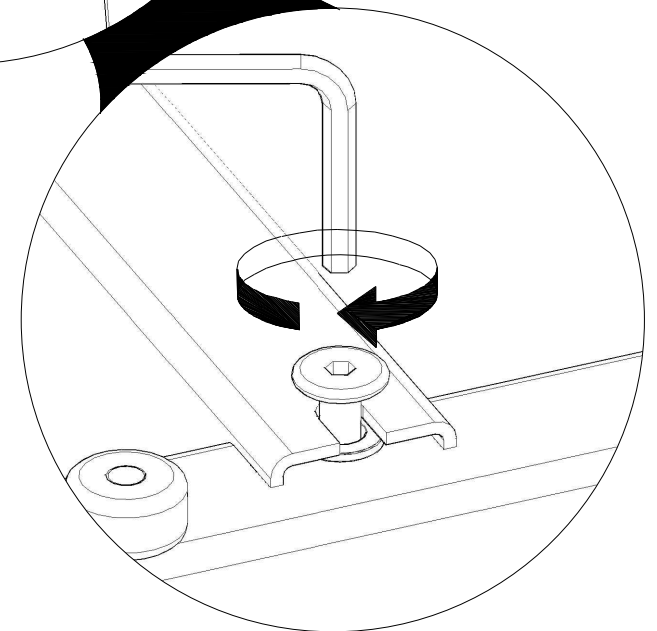
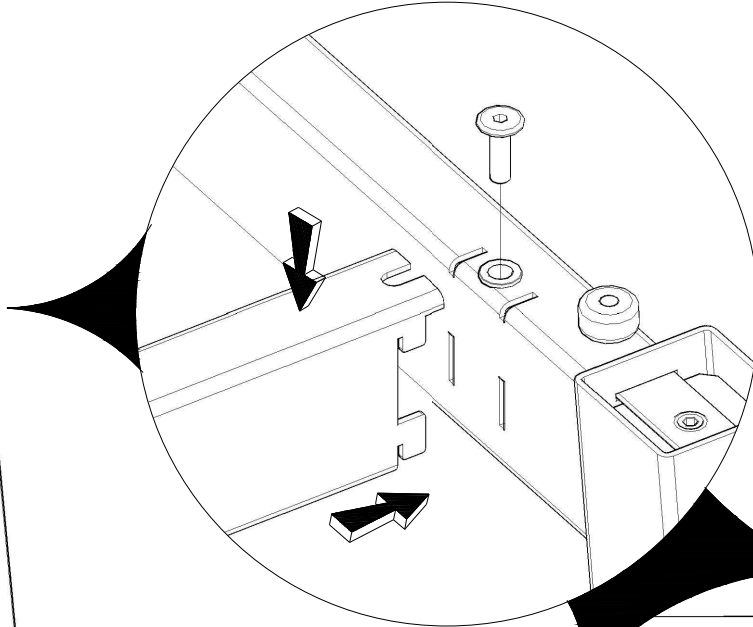
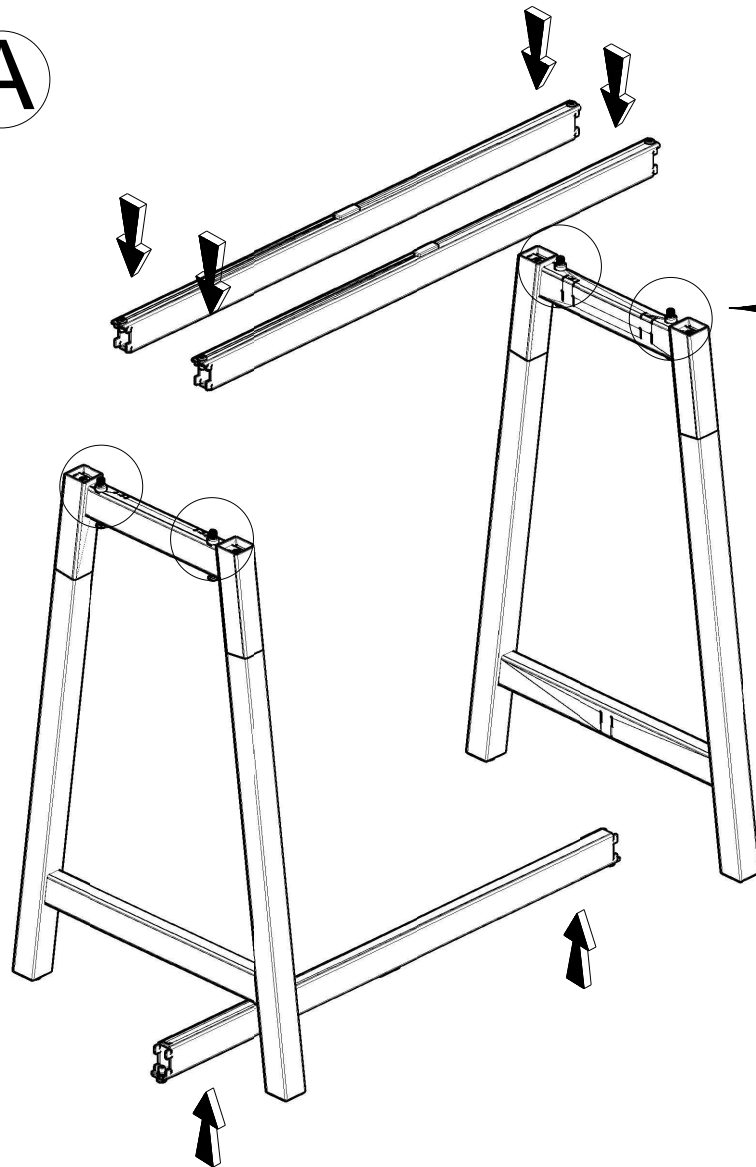


**PSM84**

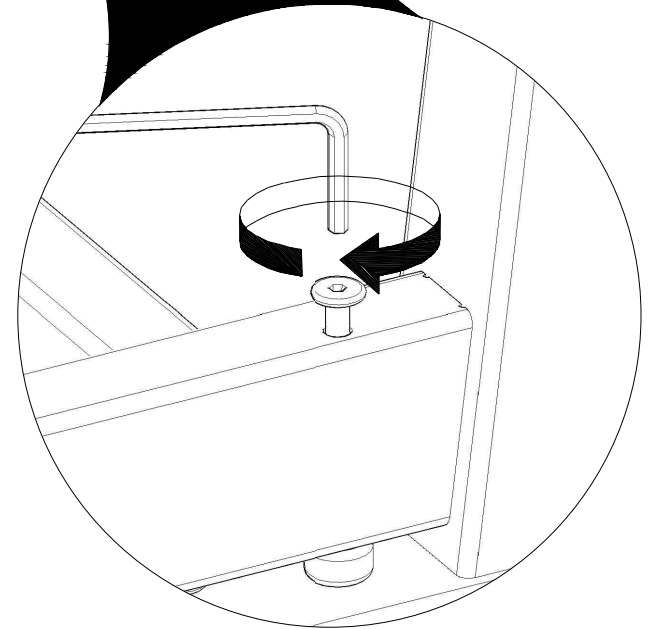
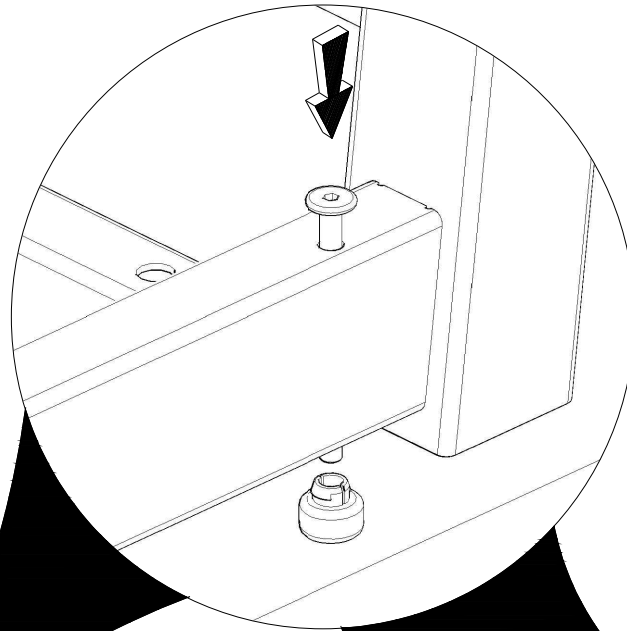
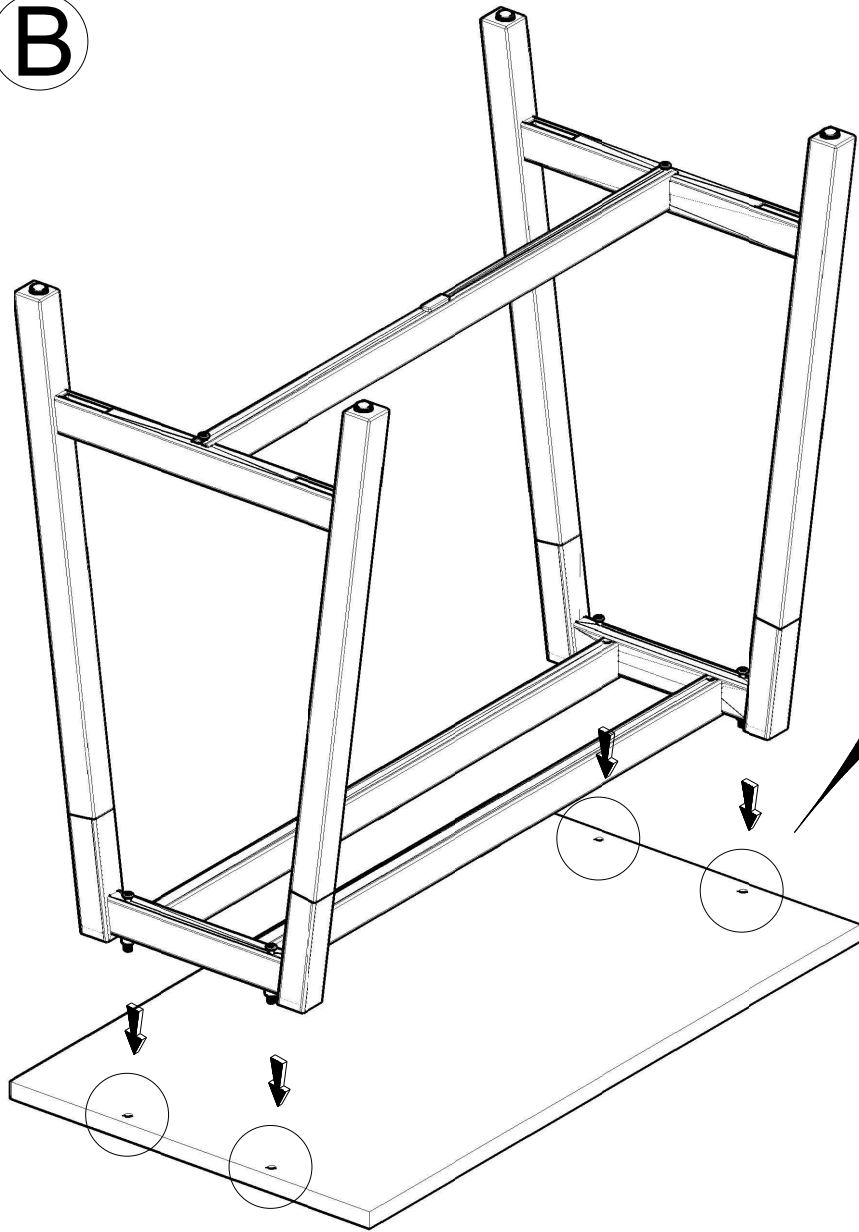


**PSD / PSM**

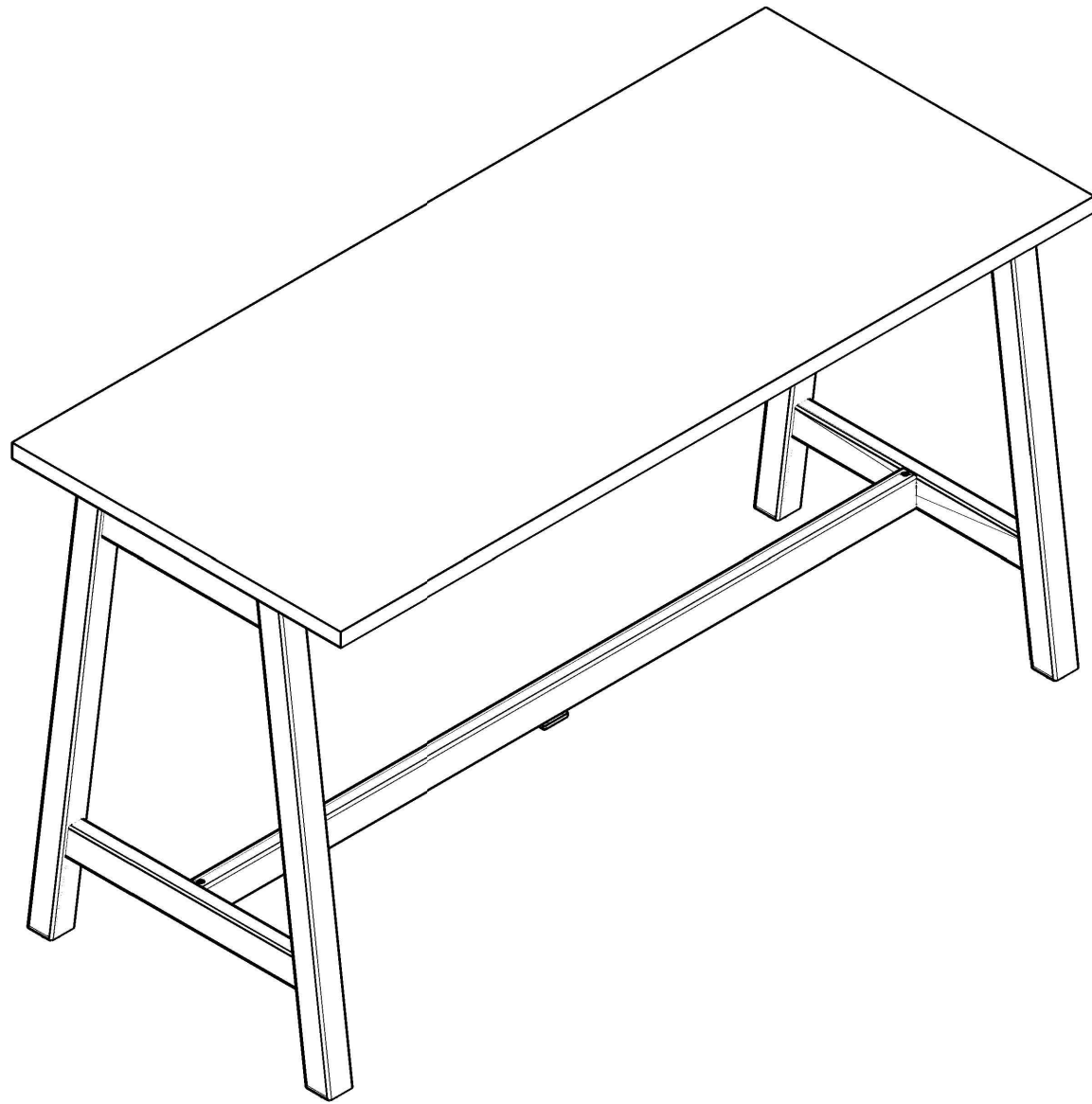
**A**



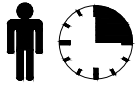
**B**



**.mdd**

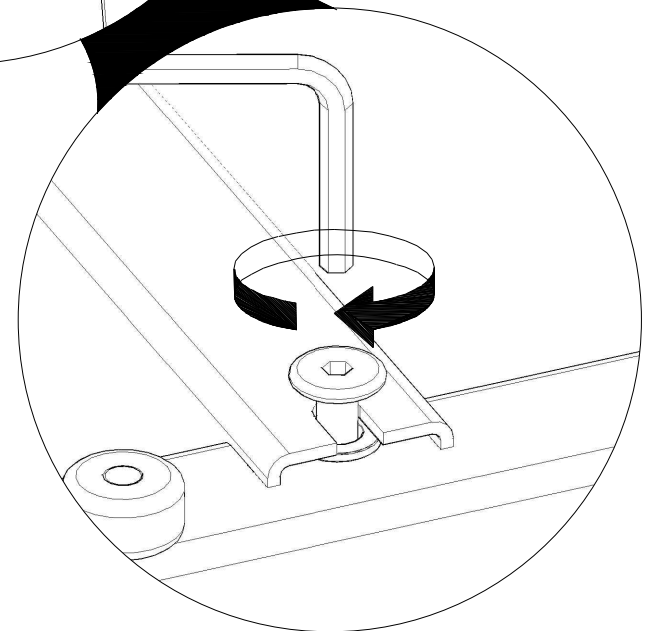
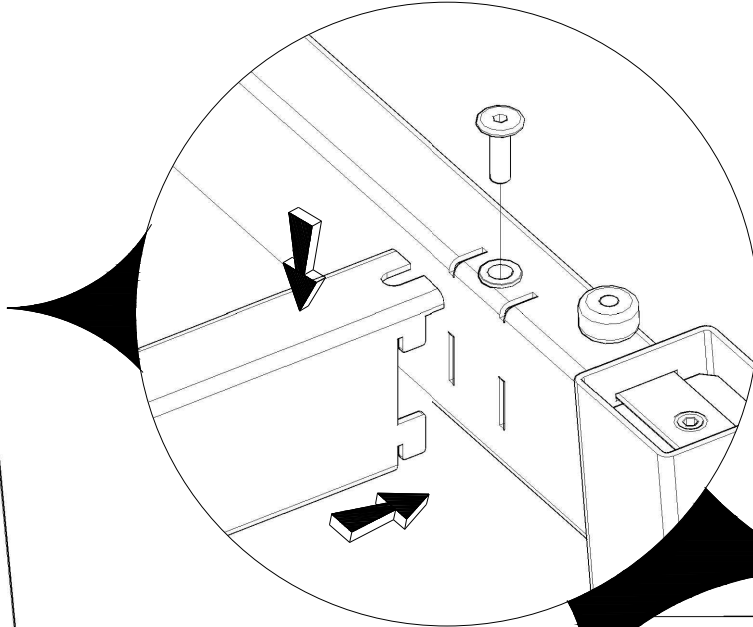
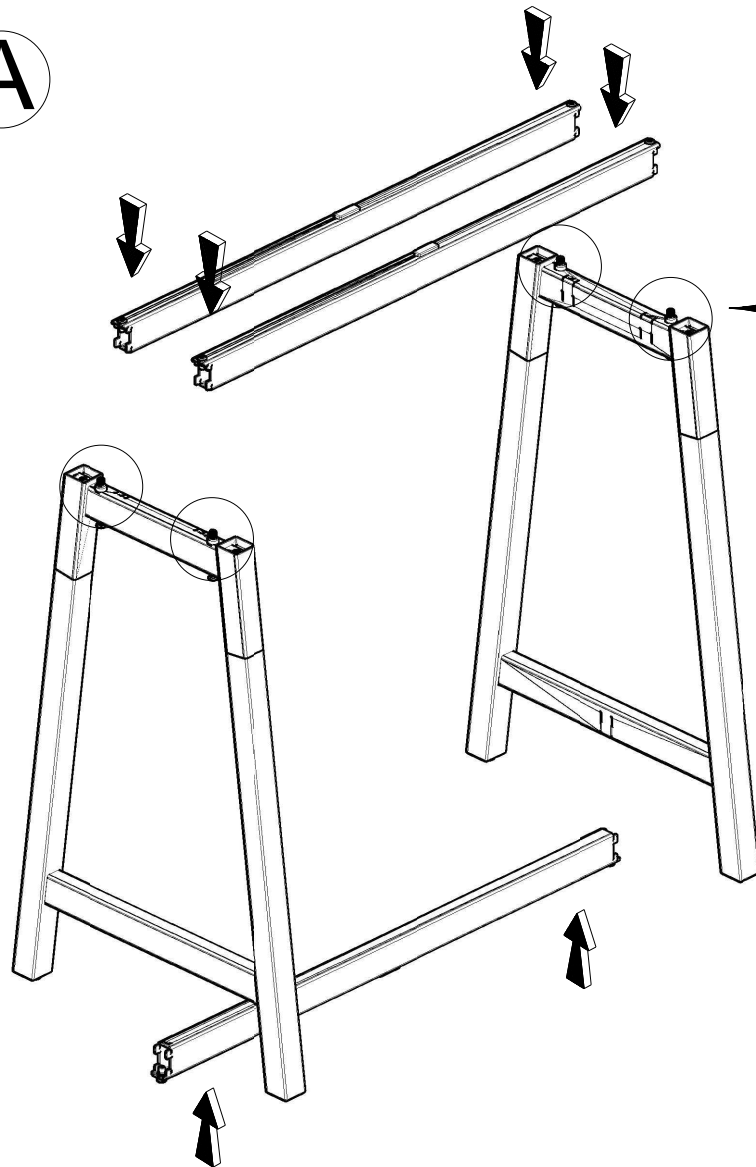


**PSM86**

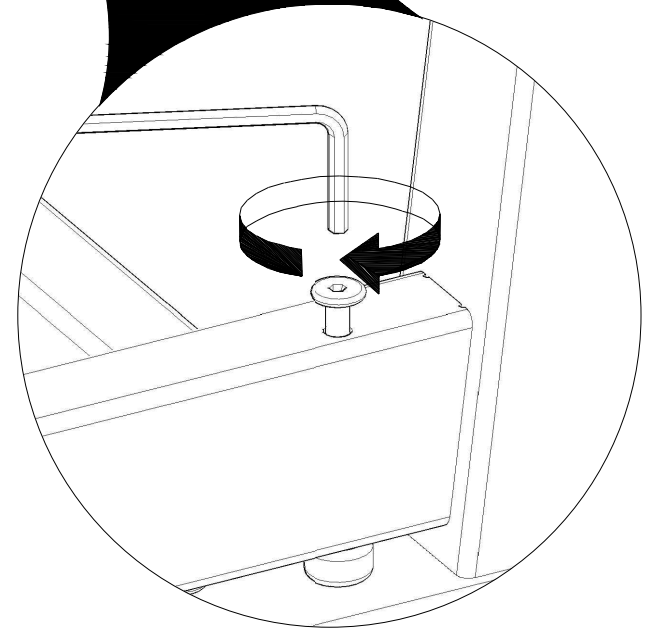
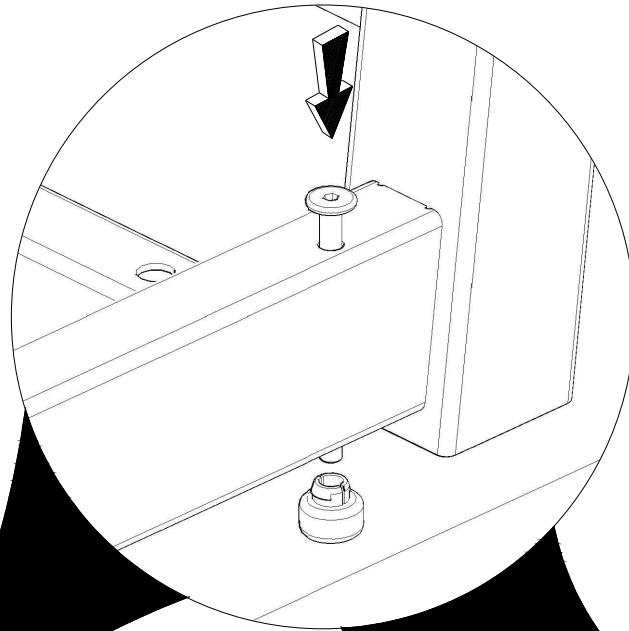
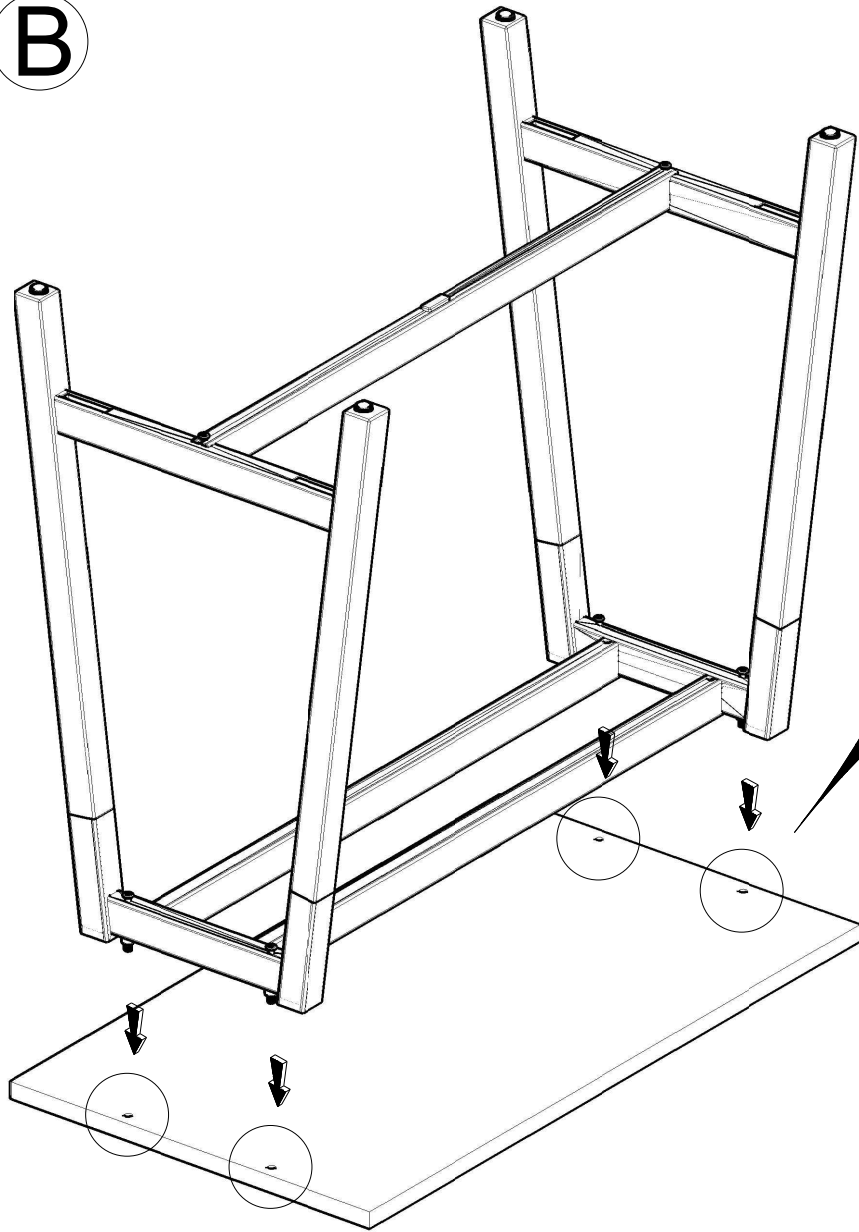


**PSD / PSM**

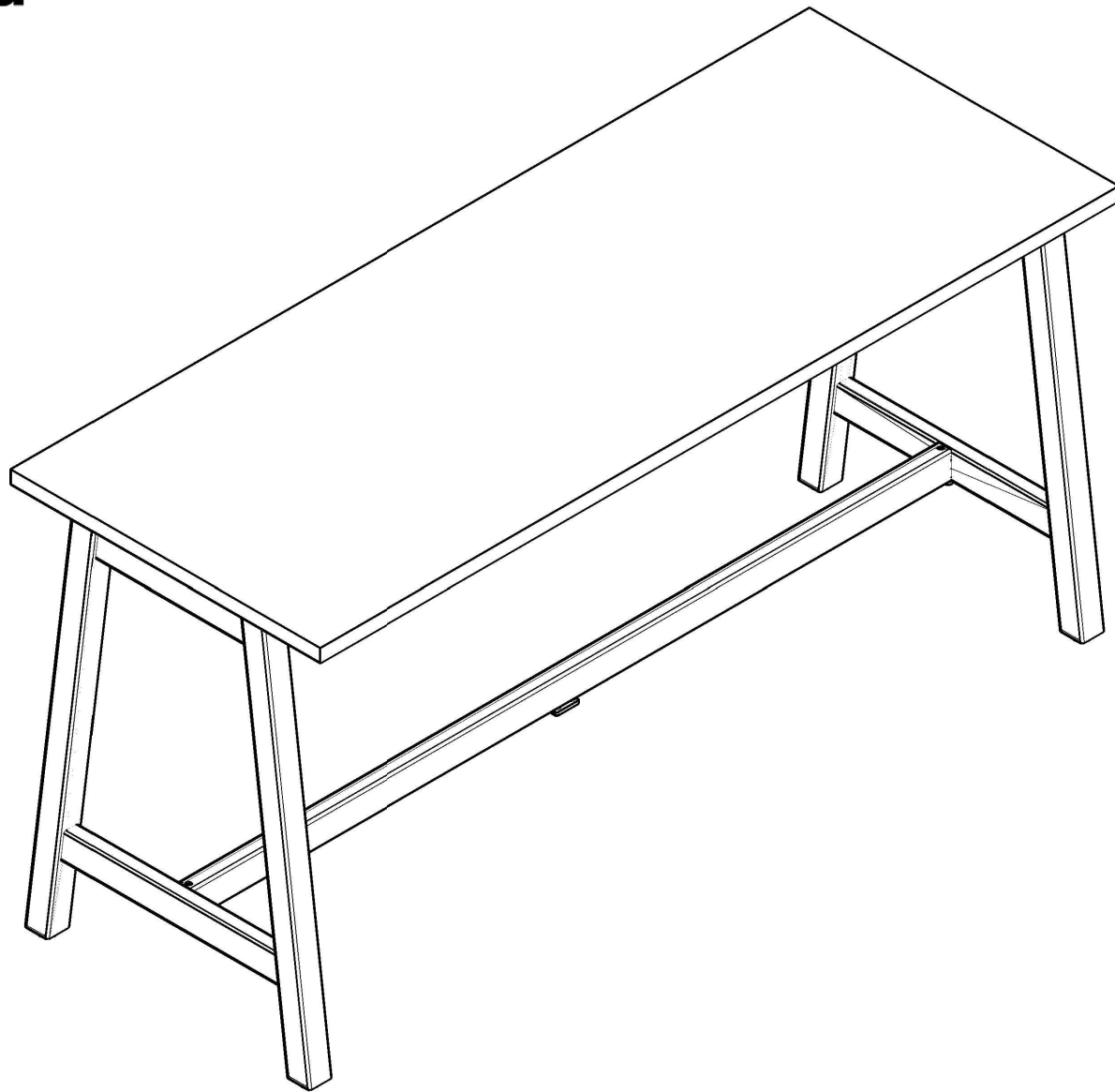
**A**



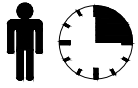
**B**



**.mdd**

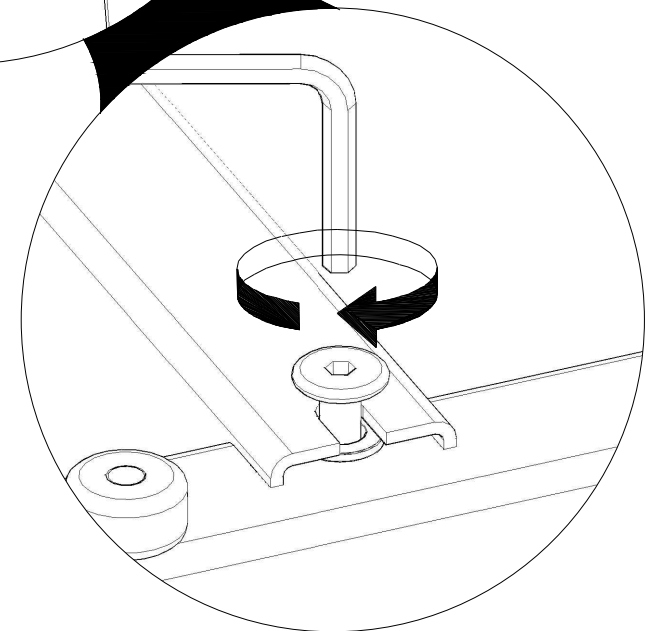
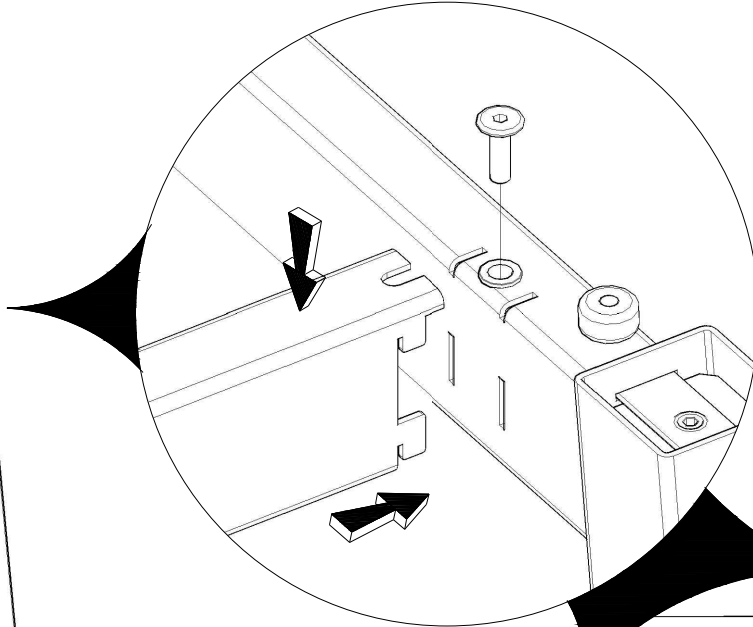
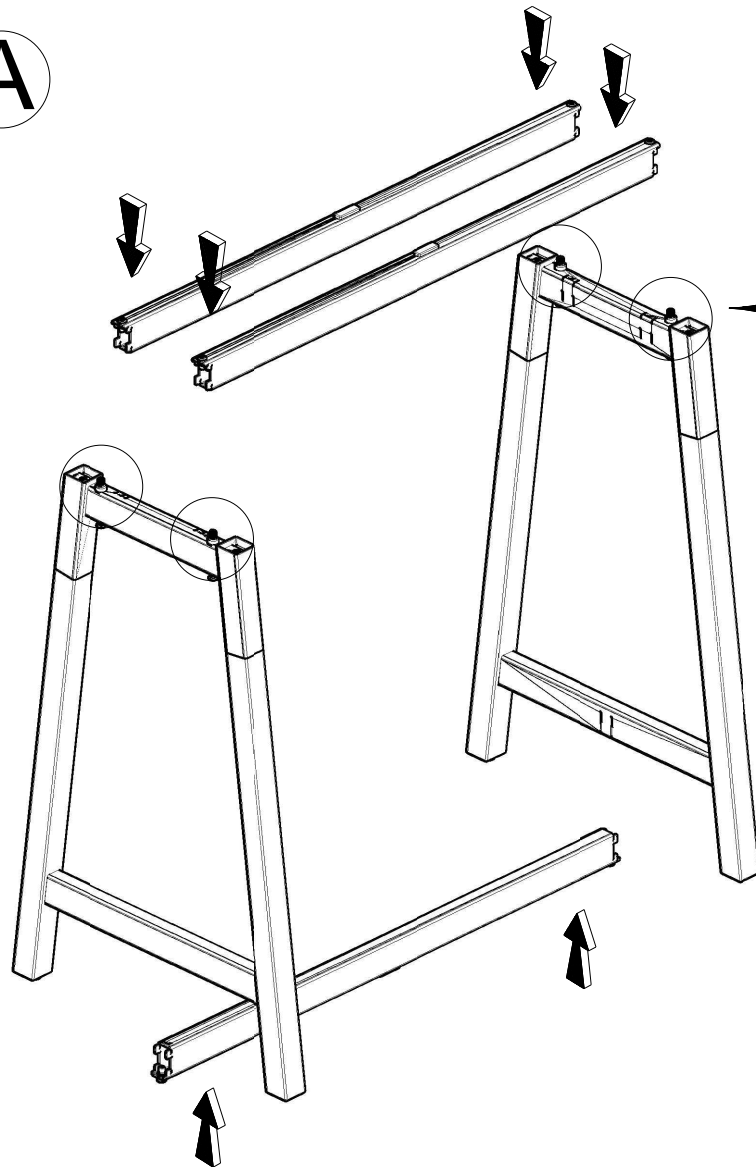


**PSM88**

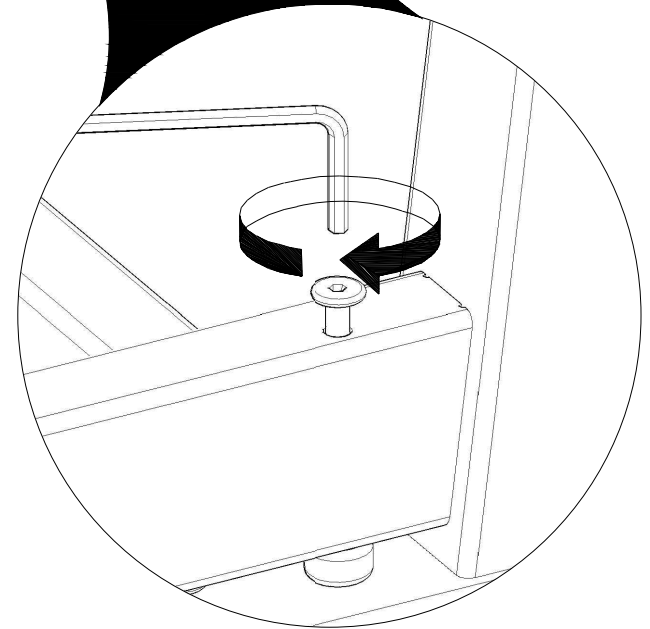
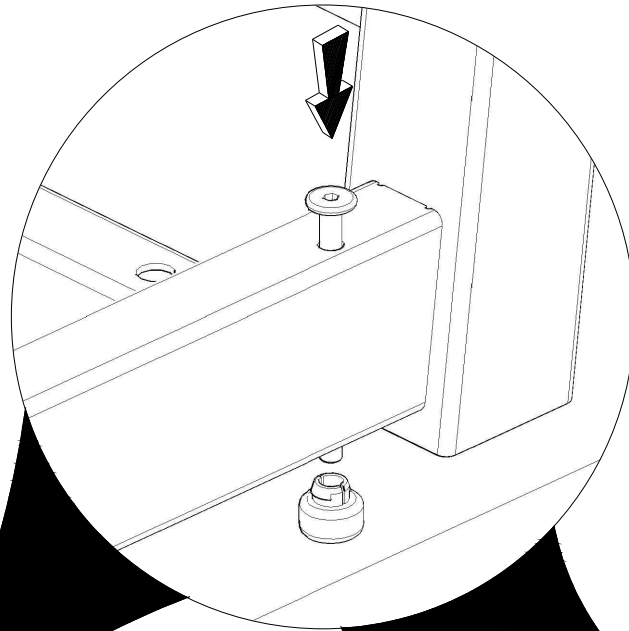
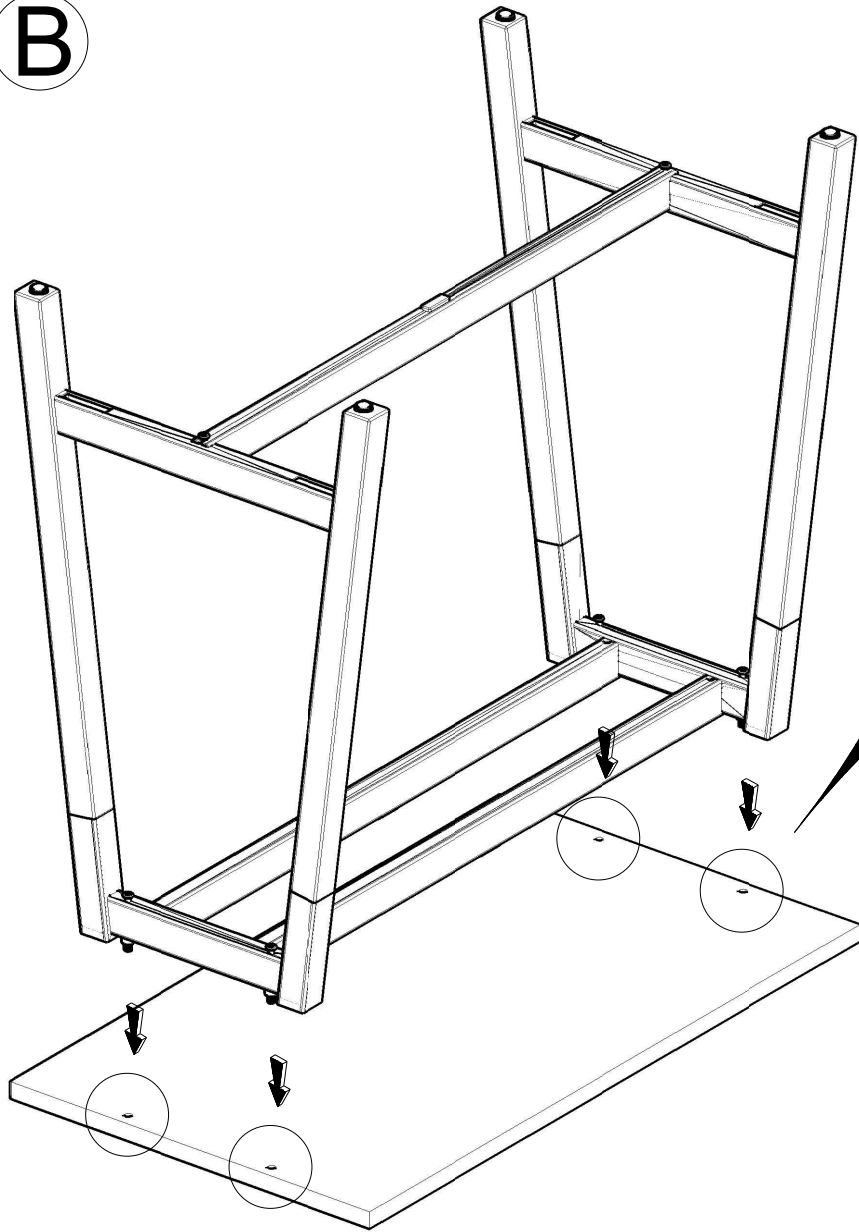


**PSD / PSM**

**A**



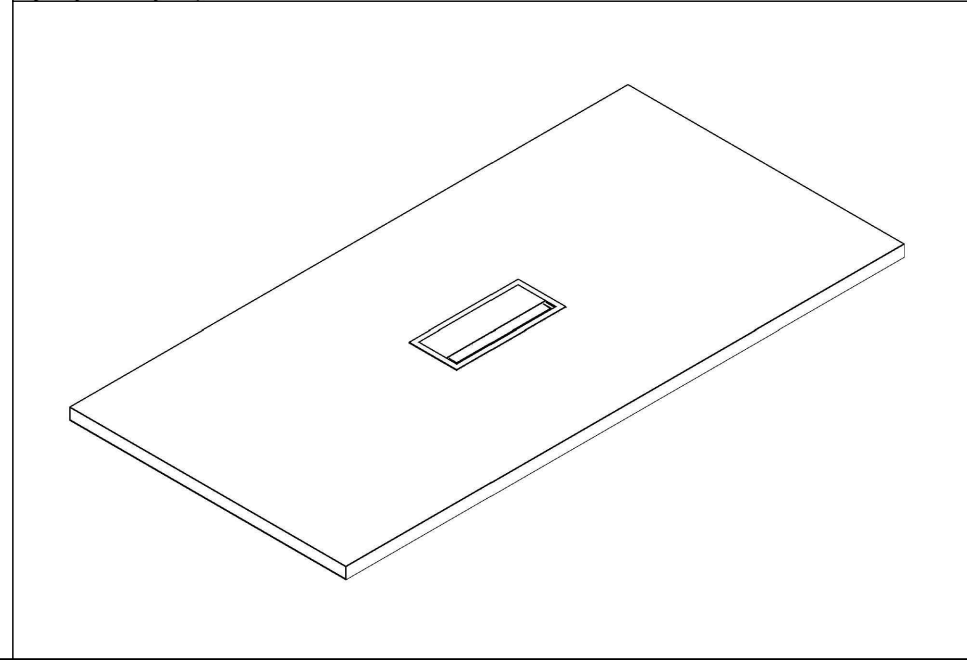
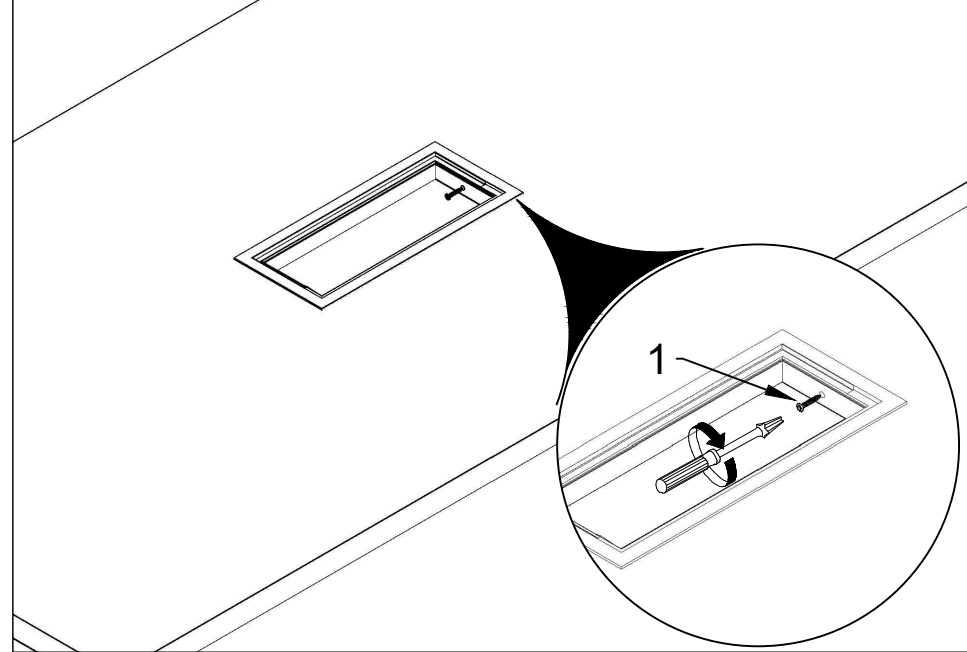
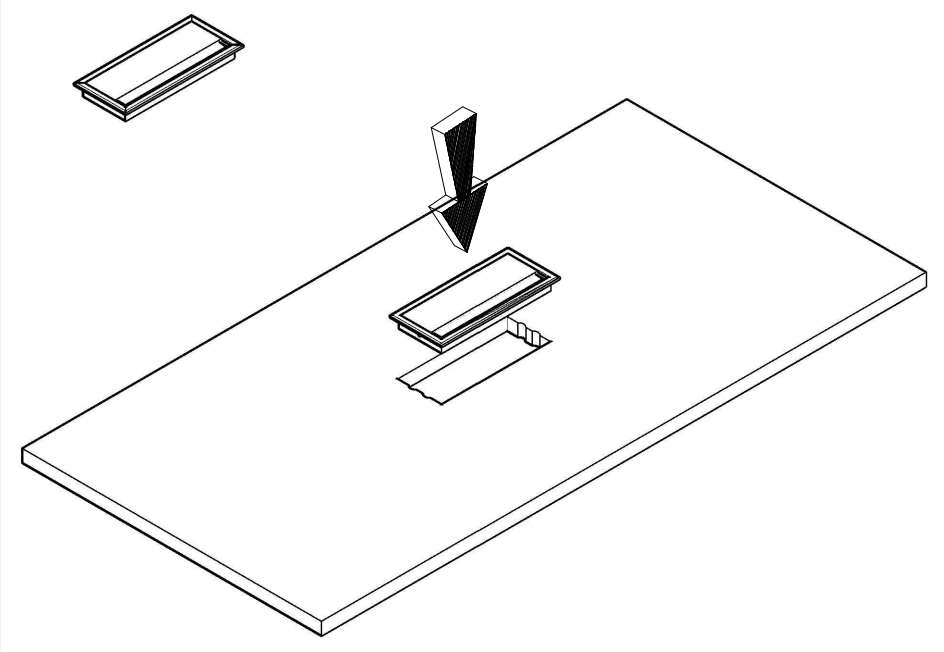
**B**



1



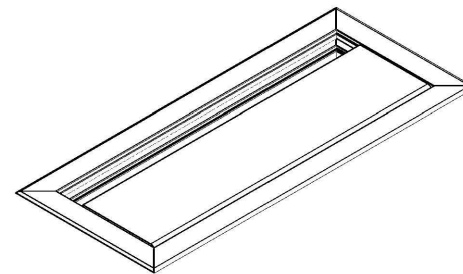
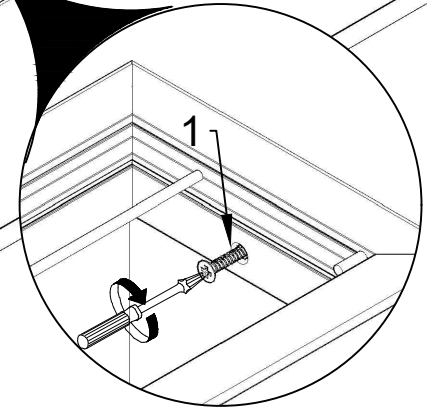
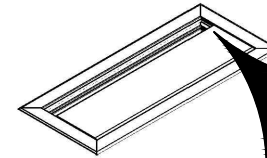
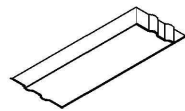
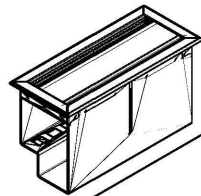
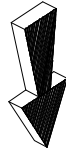
# M05



1



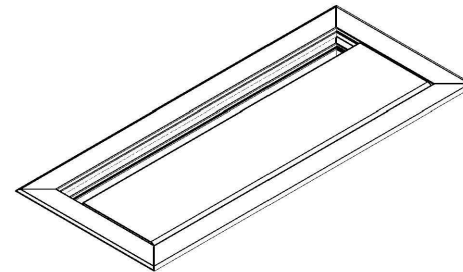
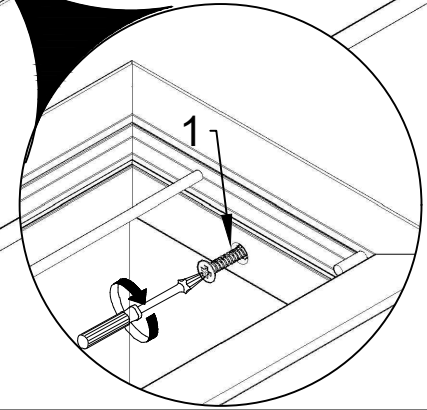
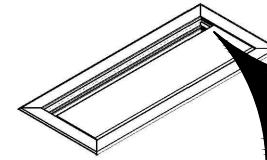
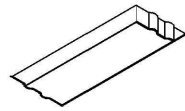
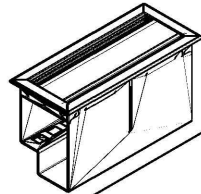
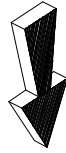
# M04

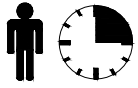


1



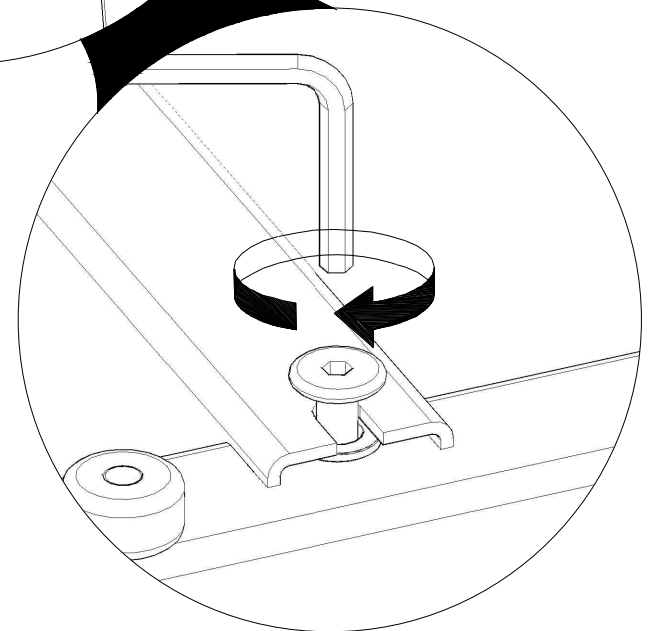
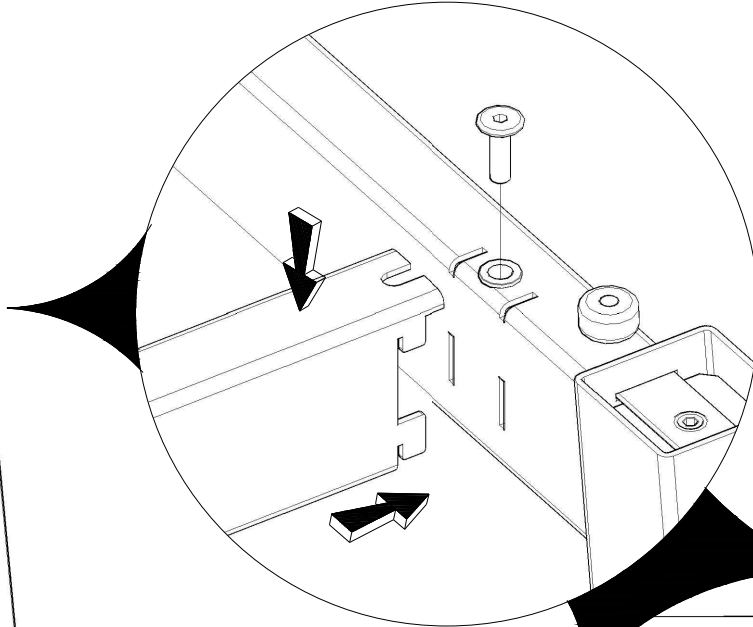
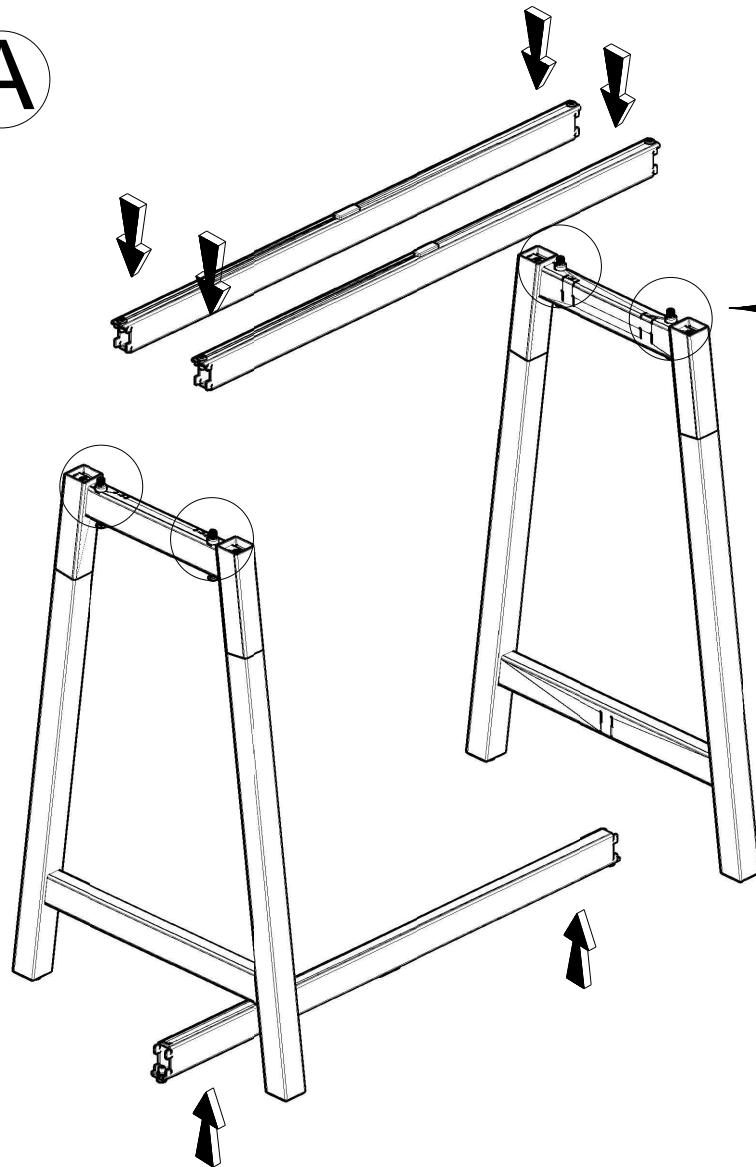
M04





**PSD / PSM**

**A**



**B**

