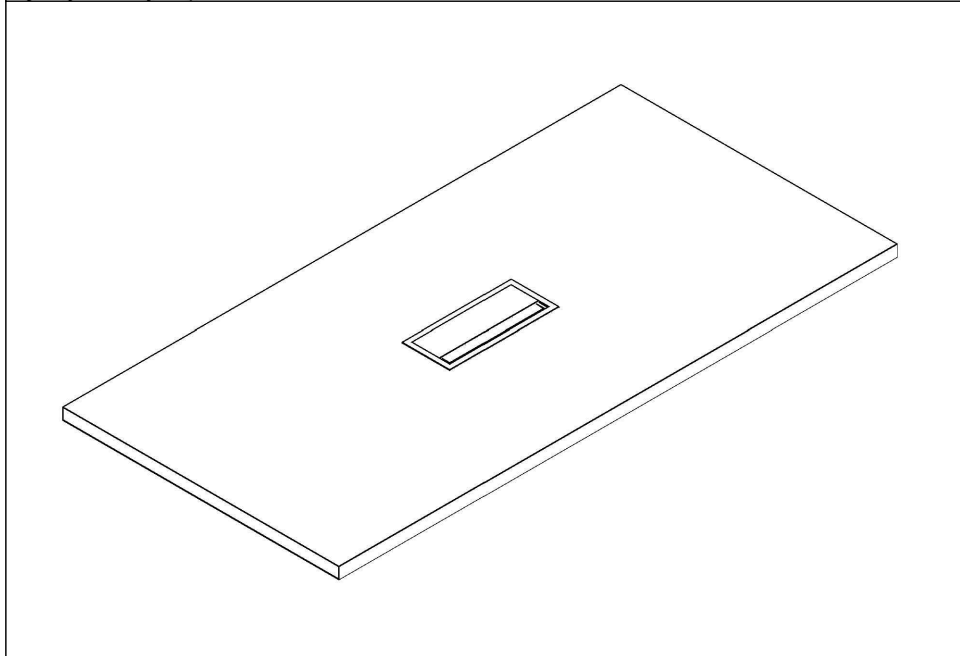
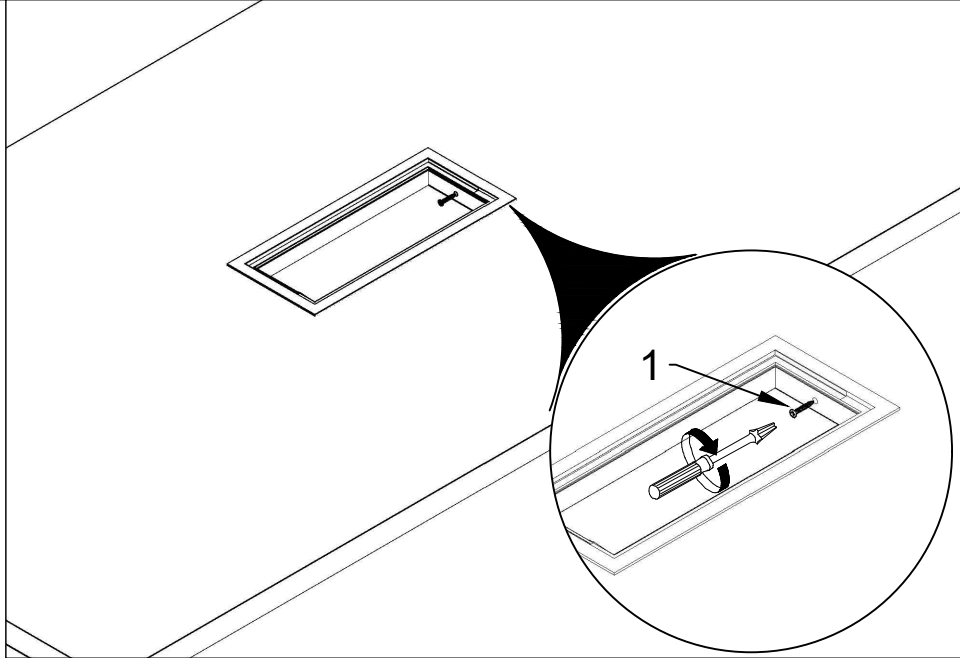
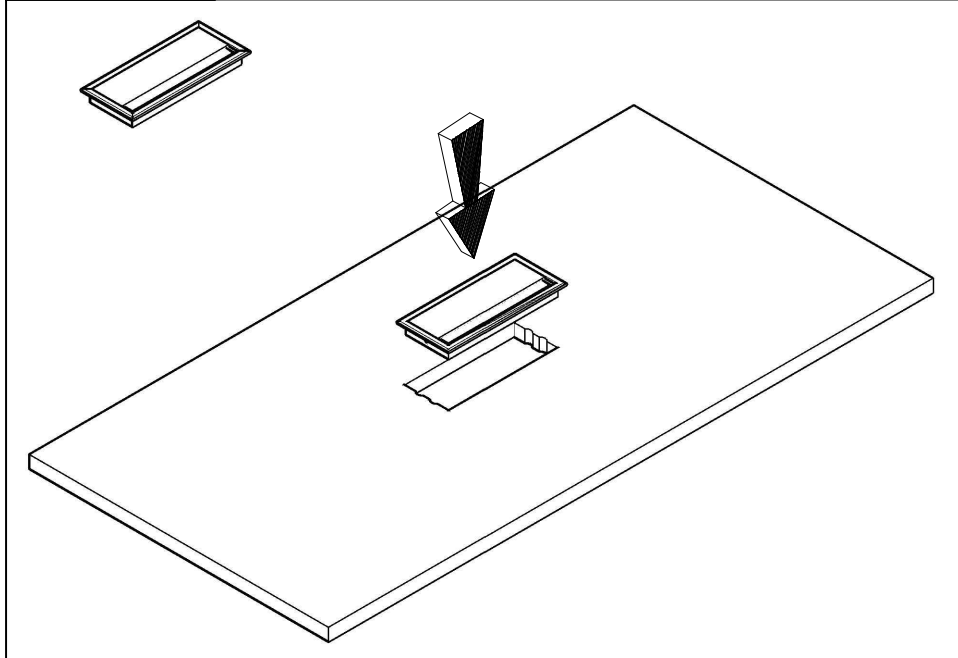


1



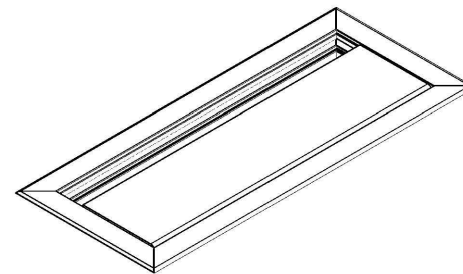
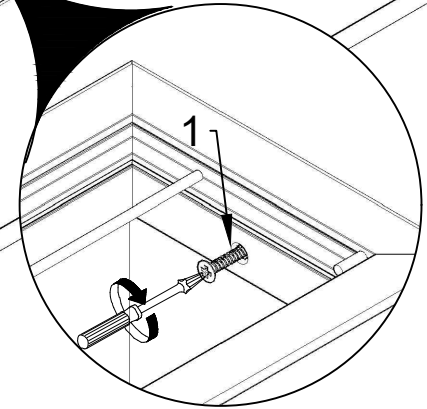
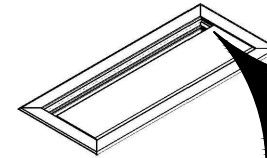
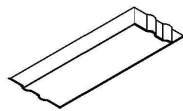
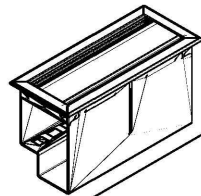
M05



1



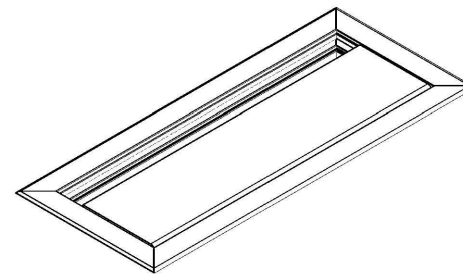
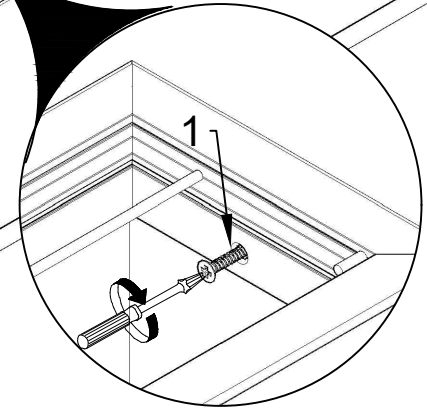
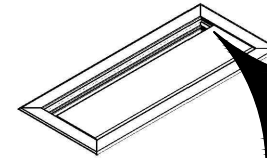
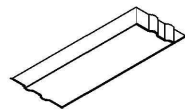
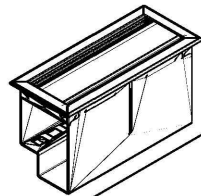
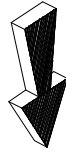
M04

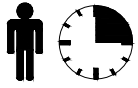


1



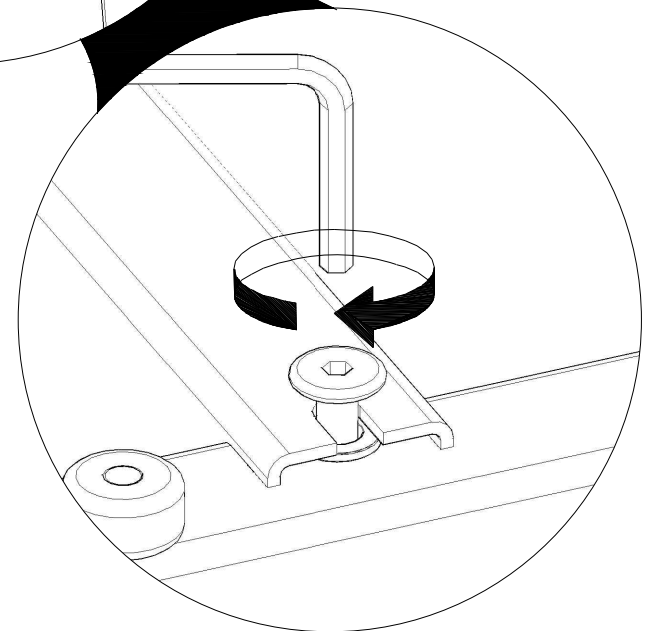
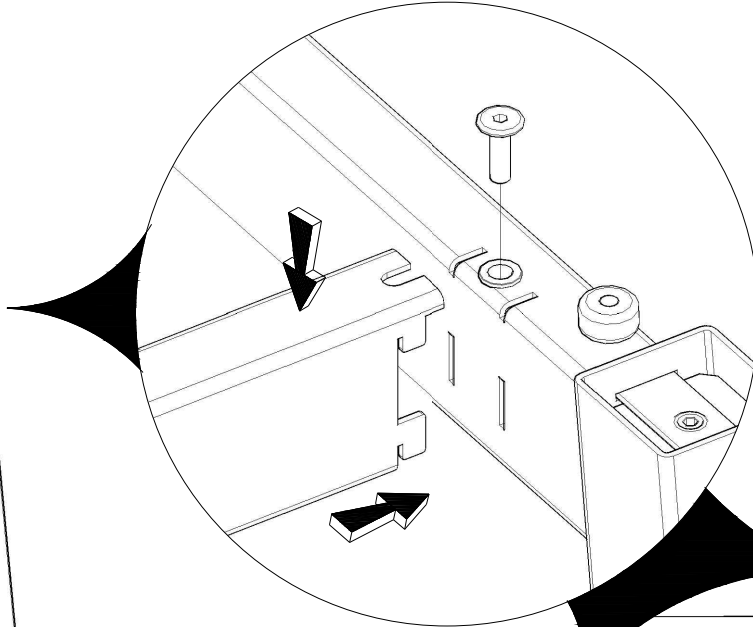
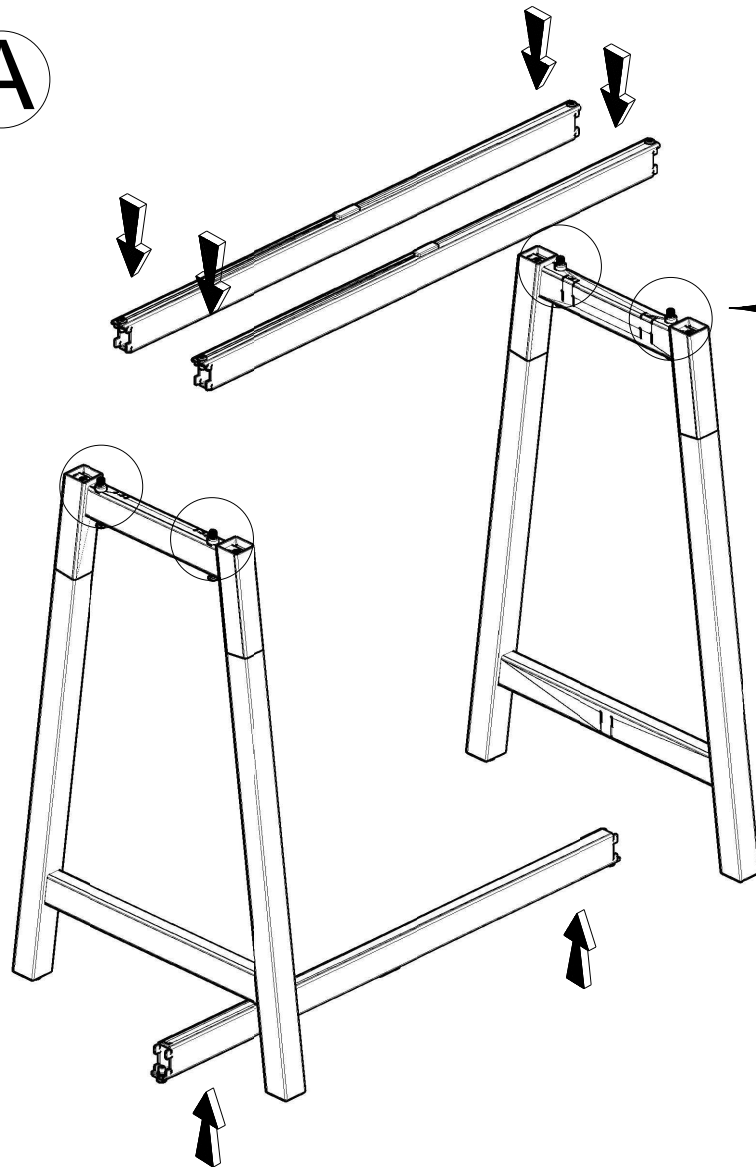
M04



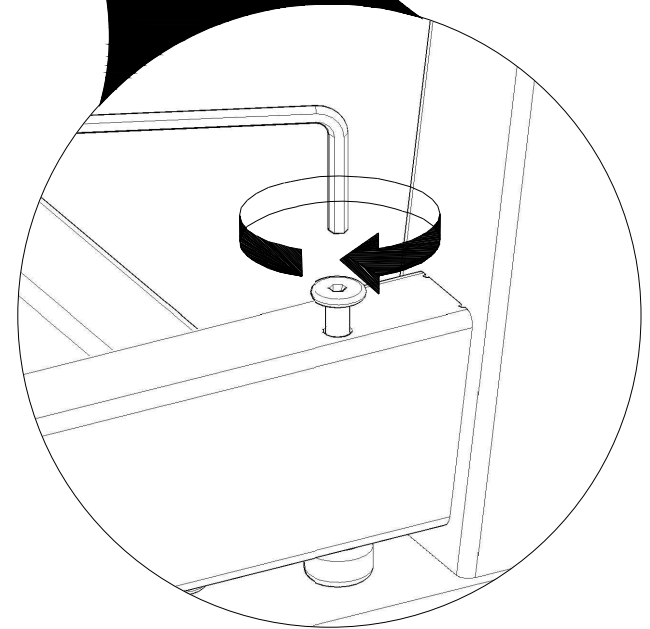
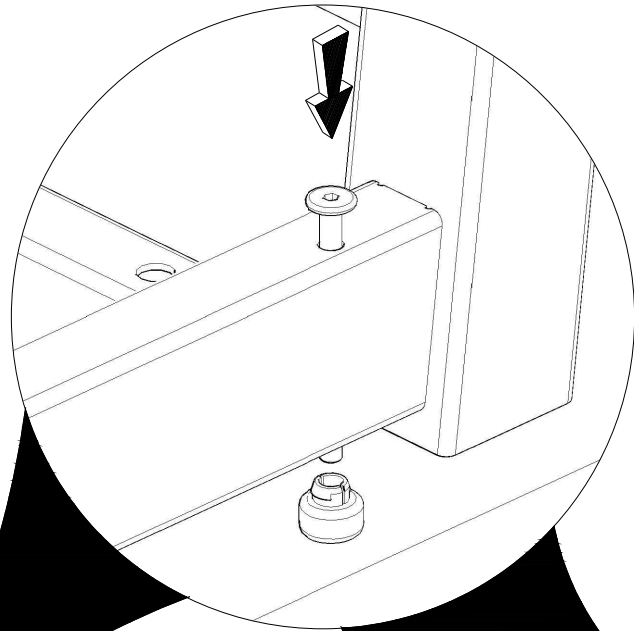
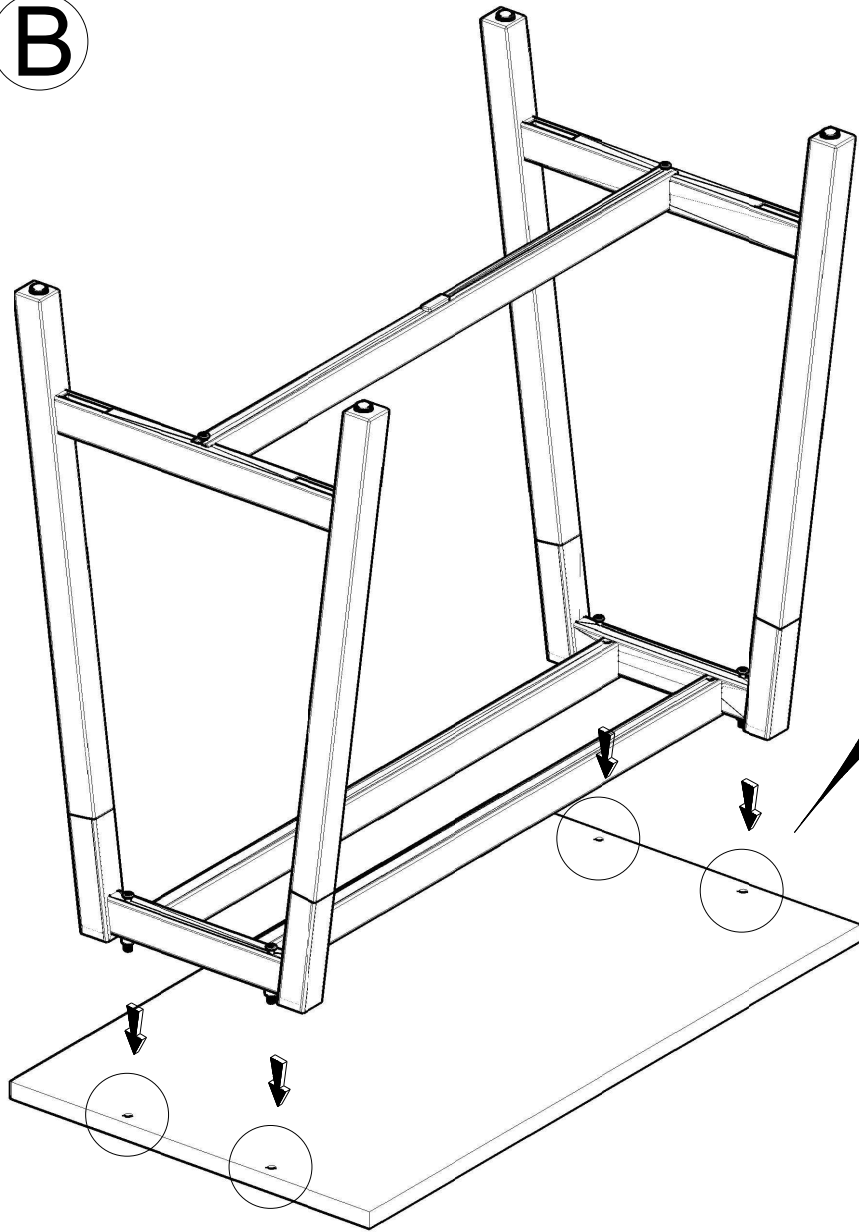


**PSD / PSM**

**A**



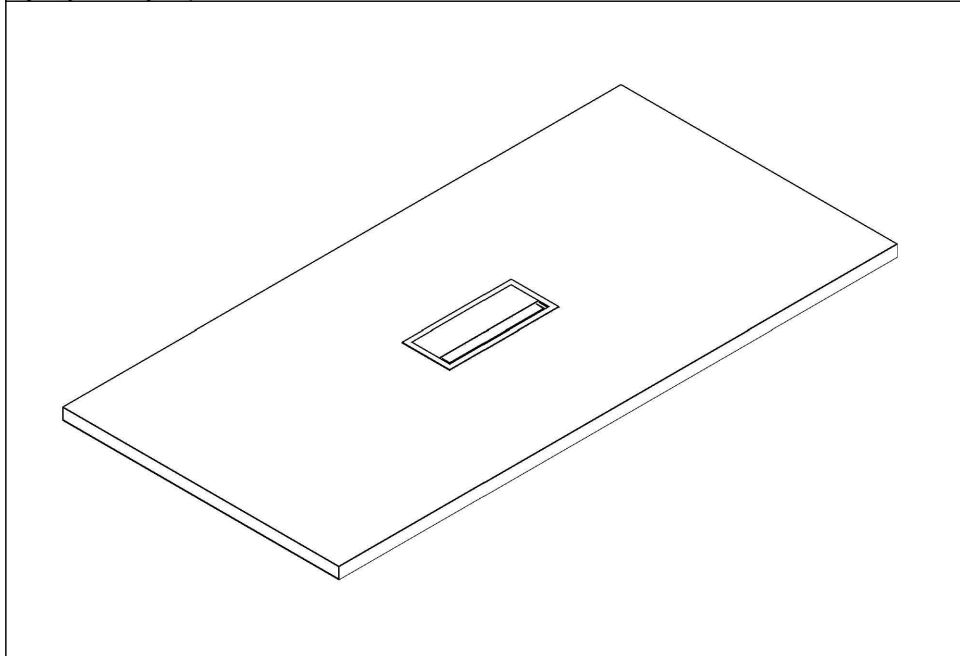
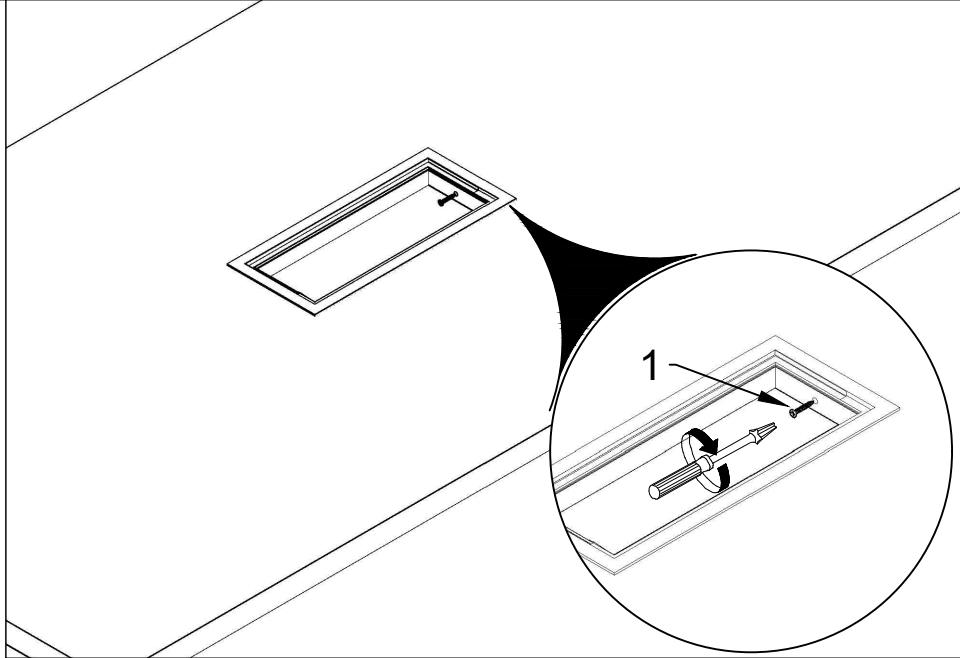
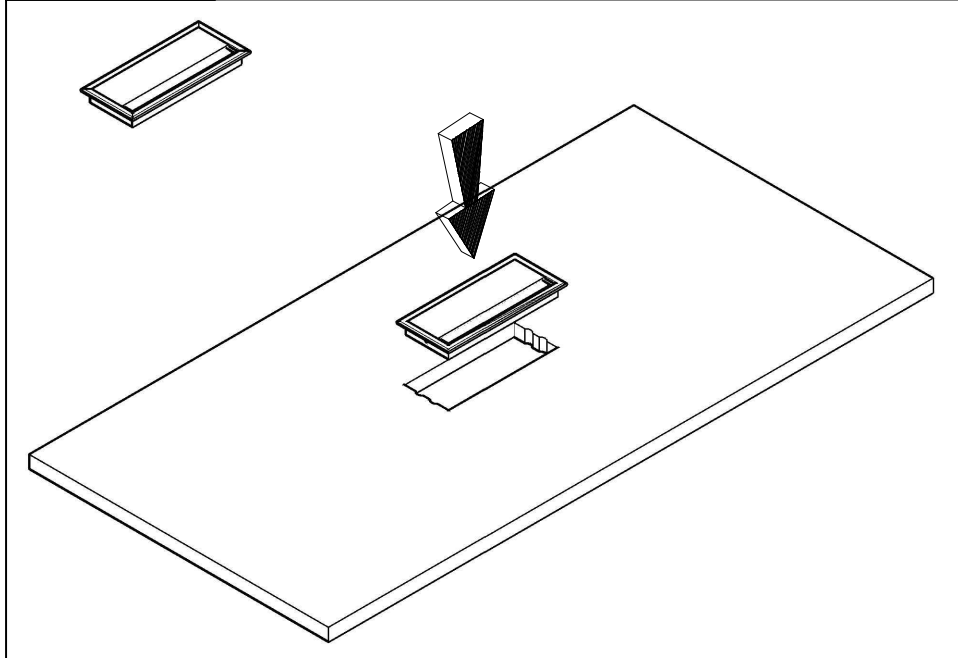
**B**



1



M05

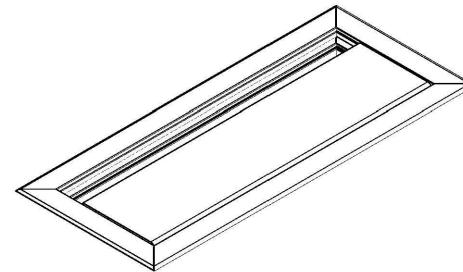
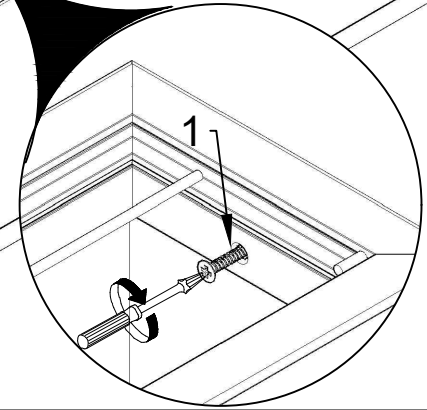
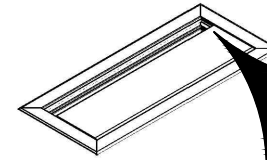
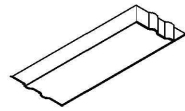
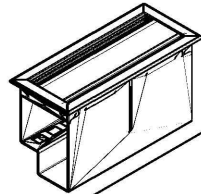
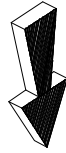


1



3x20

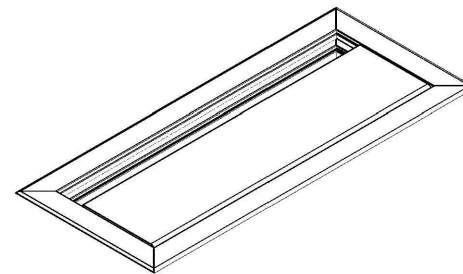
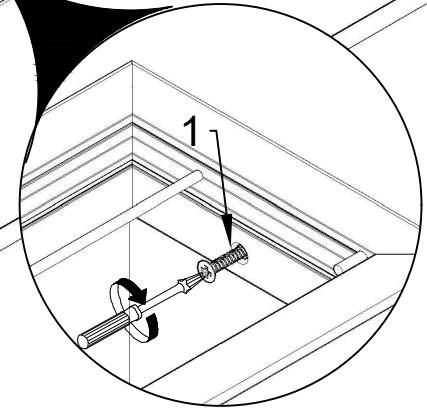
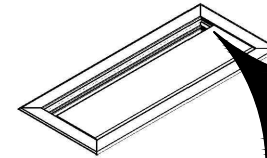
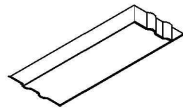
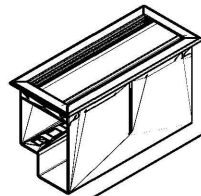
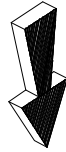
M04

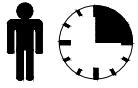


1



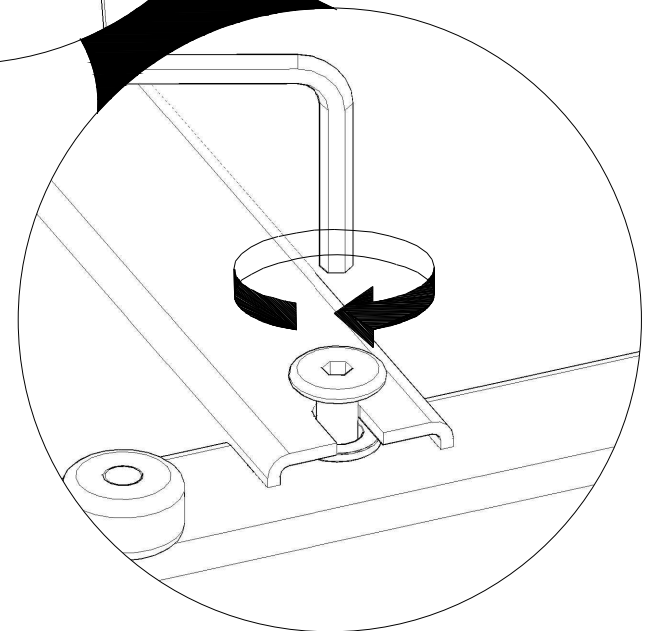
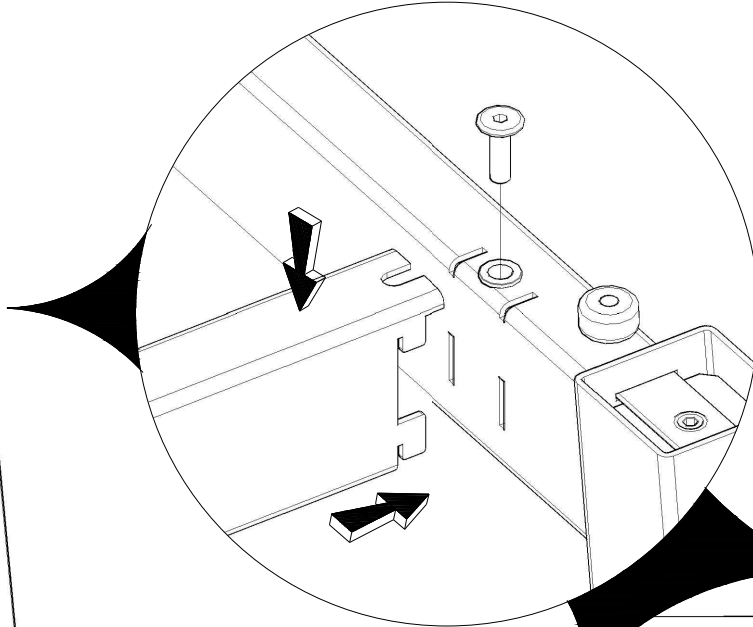
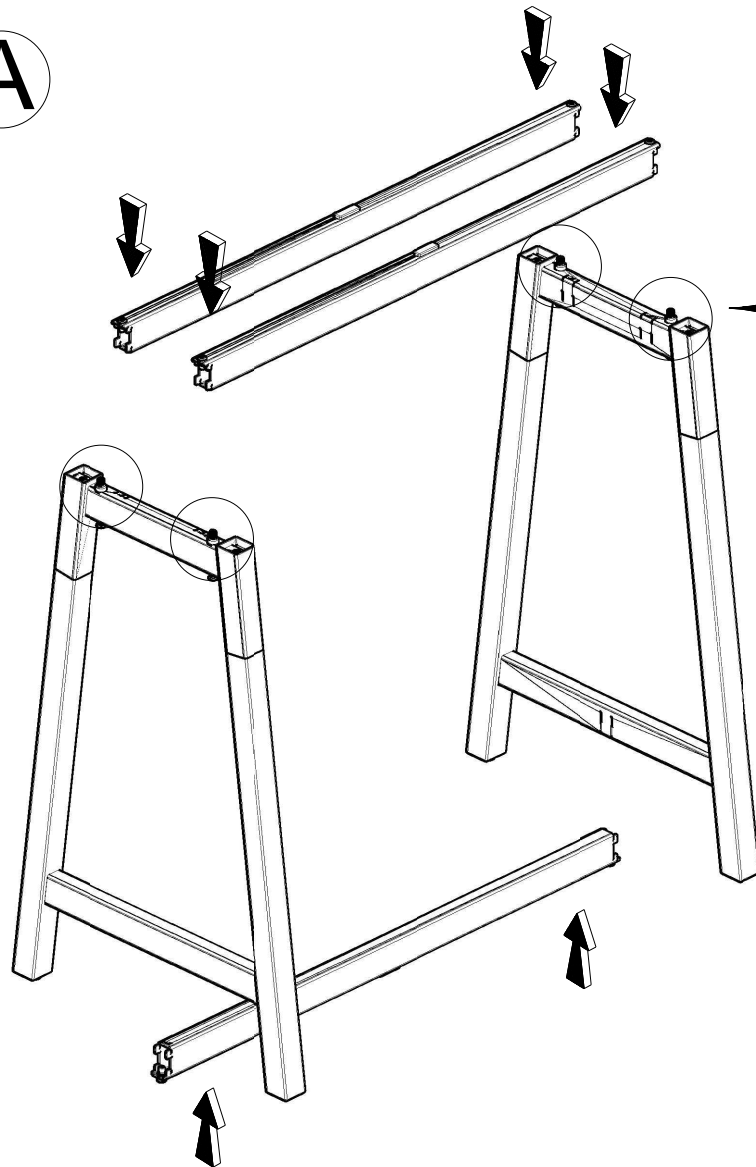
# M04



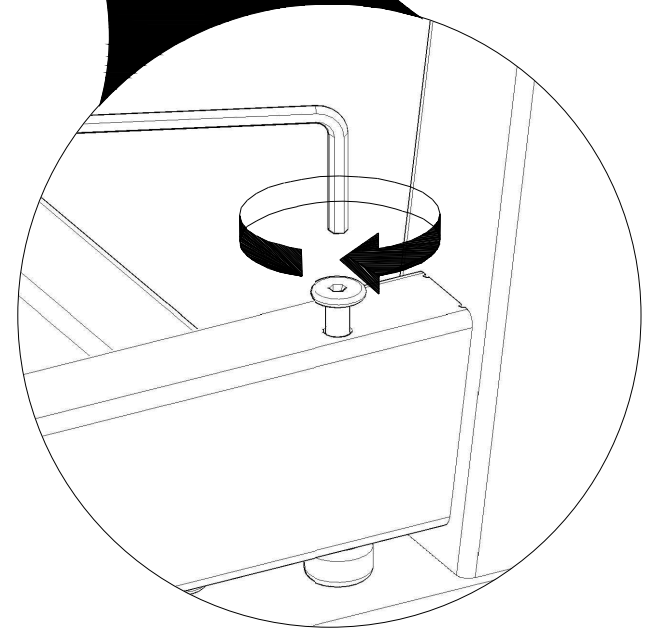
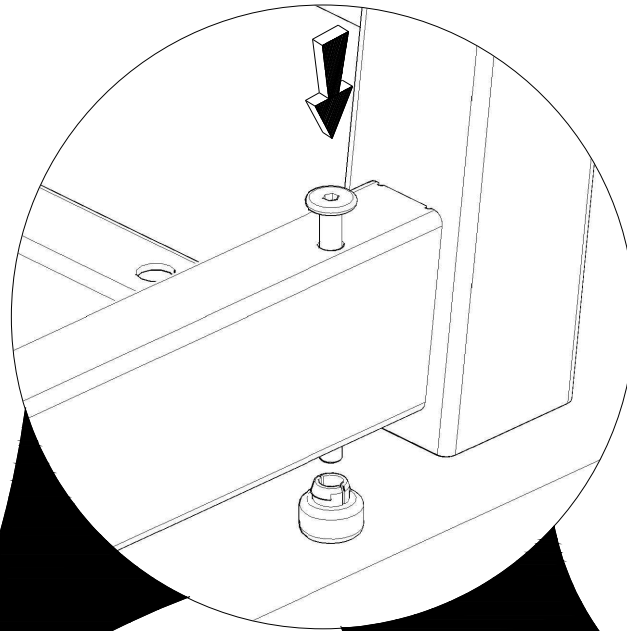
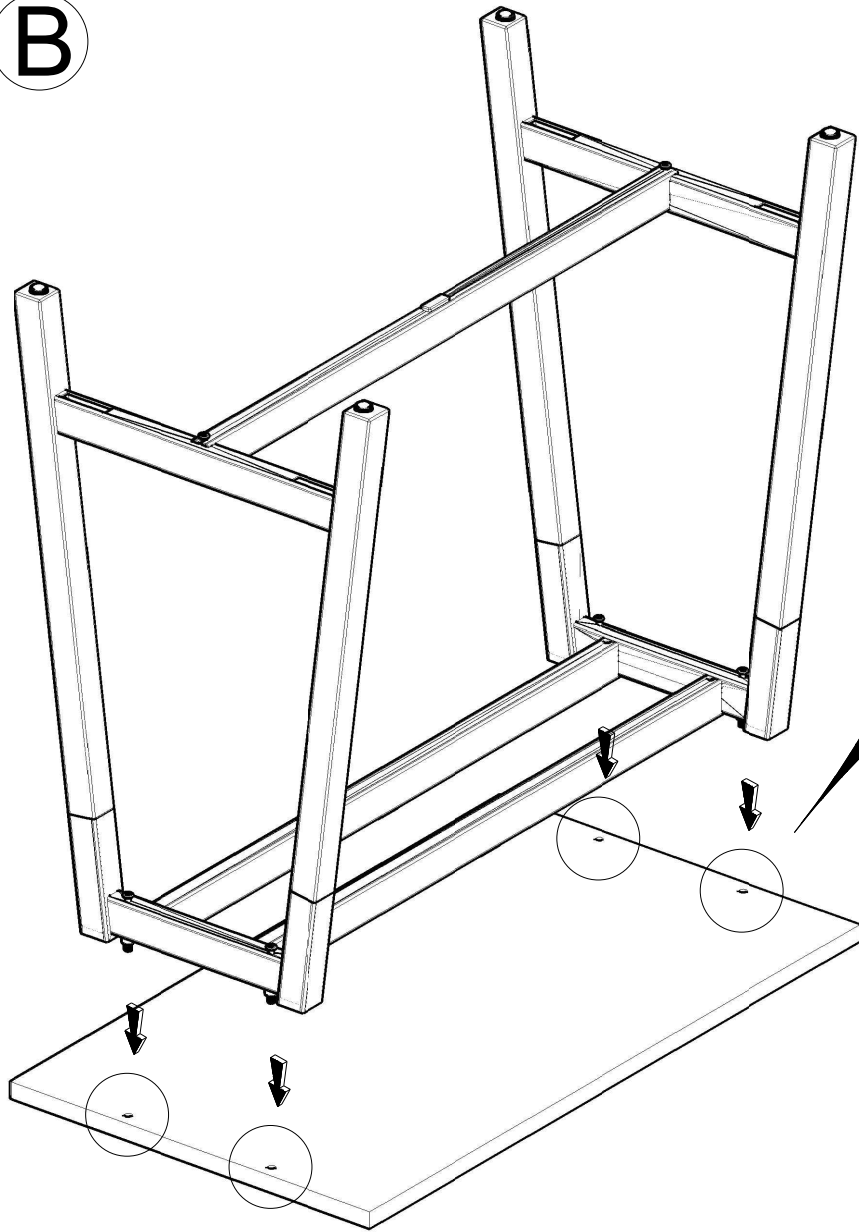


**PSD / PSM**

**A**



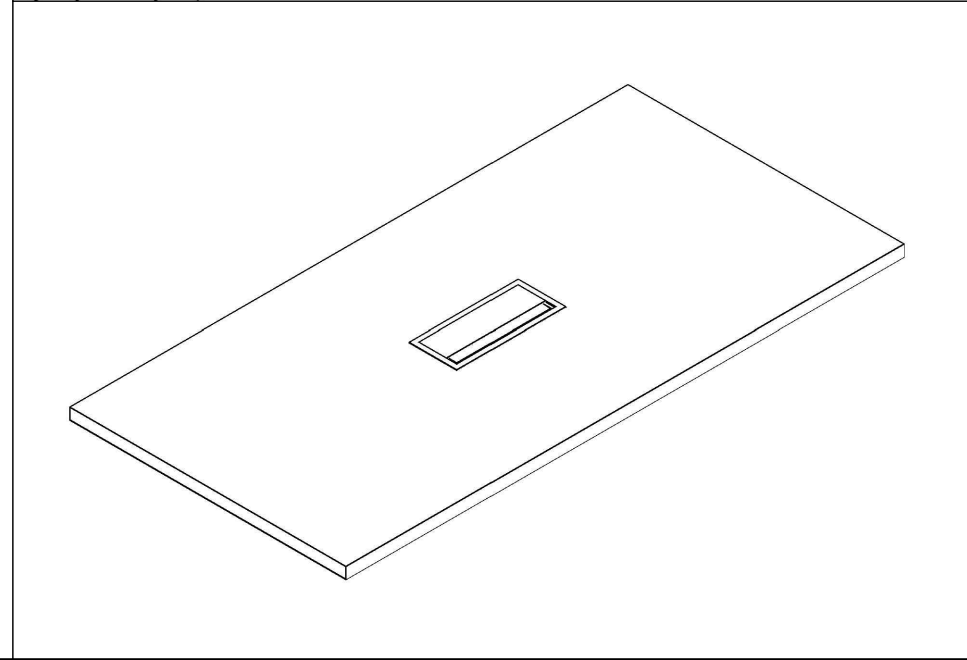
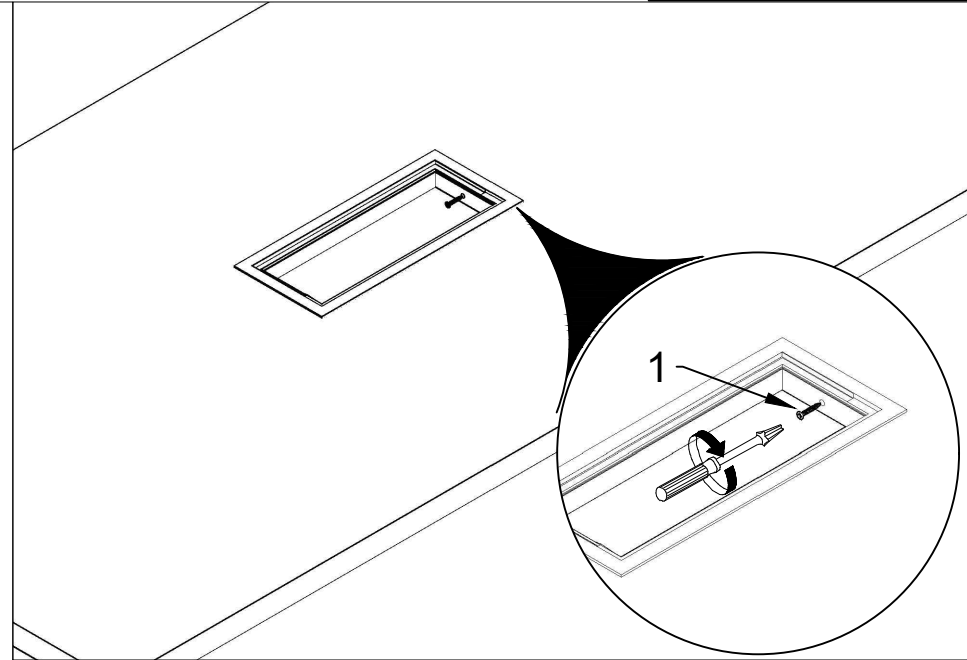
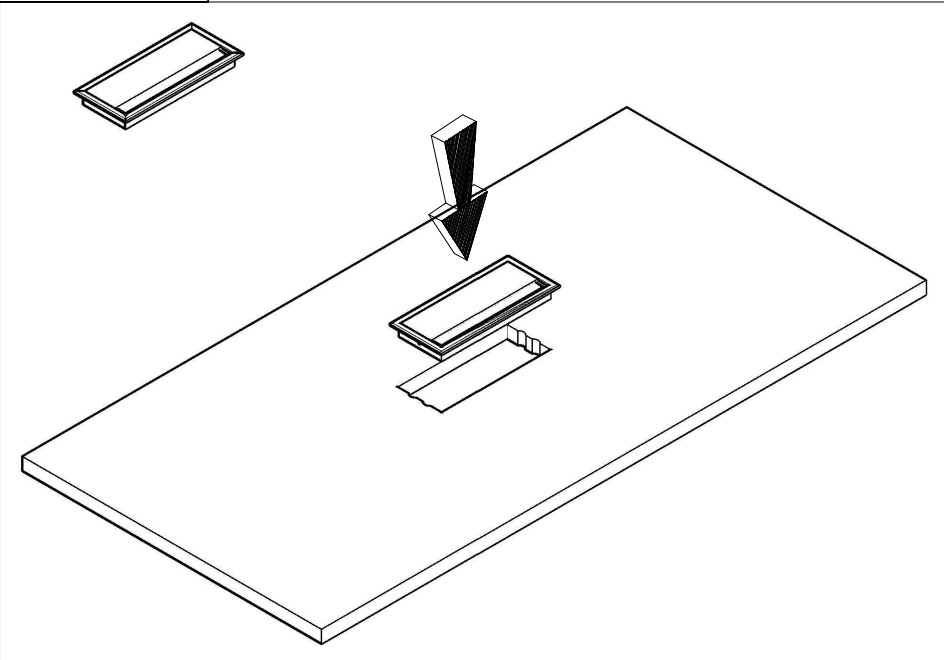
**B**



1



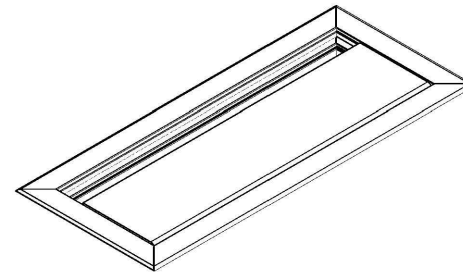
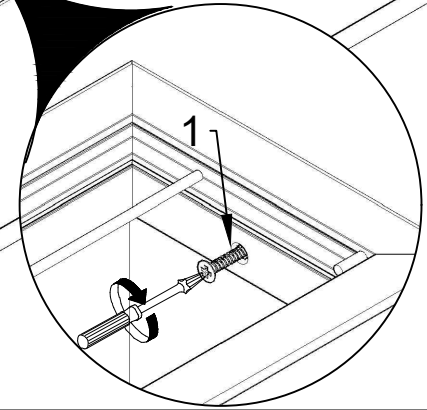
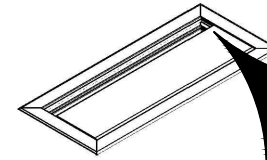
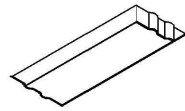
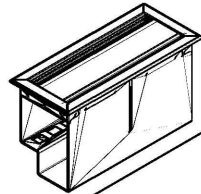
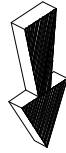
M05



1



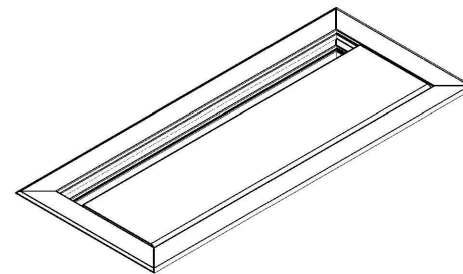
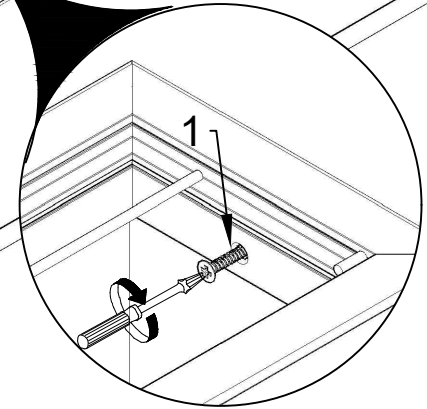
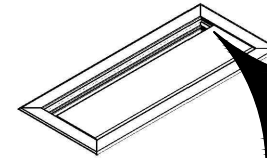
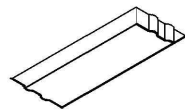
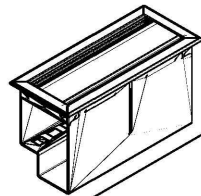
M04

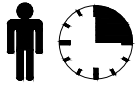


1



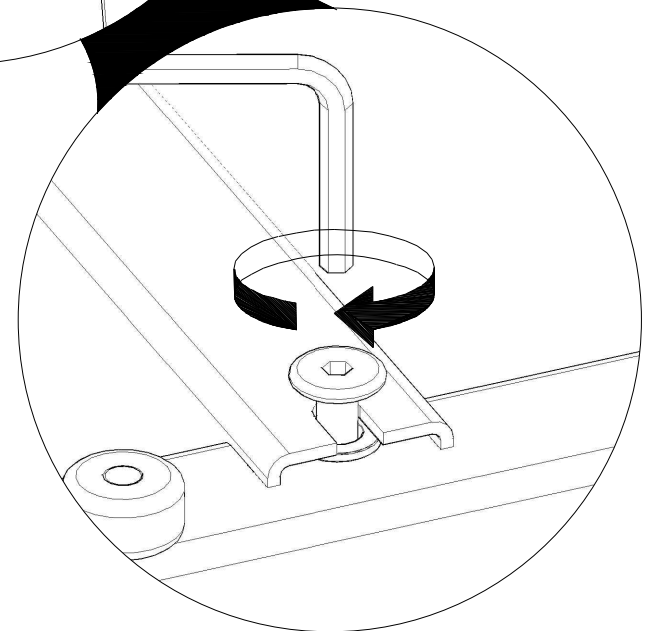
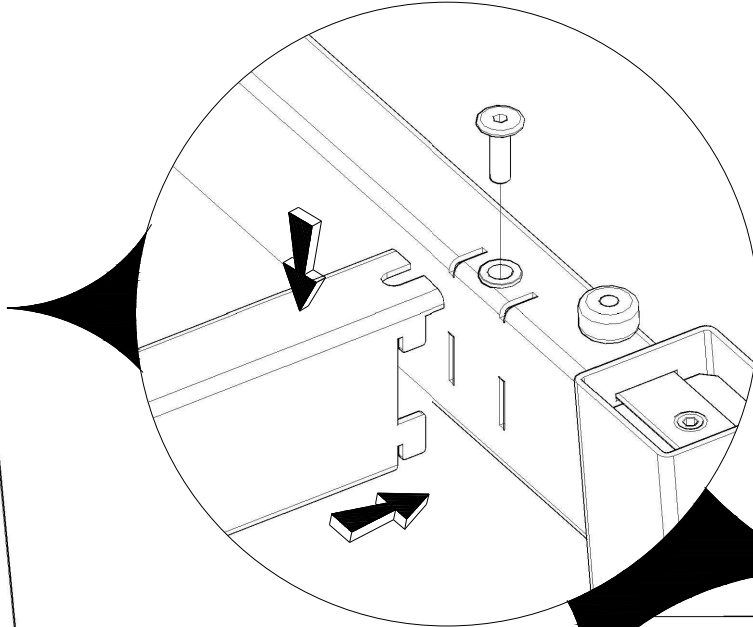
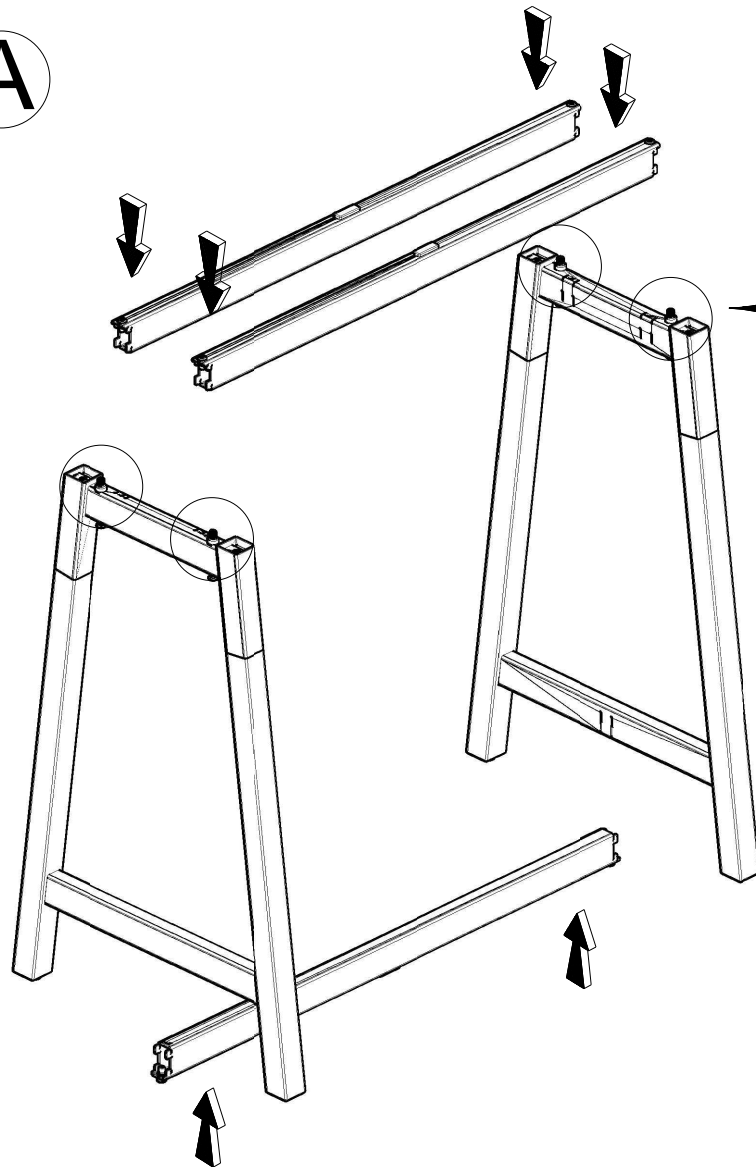
M04



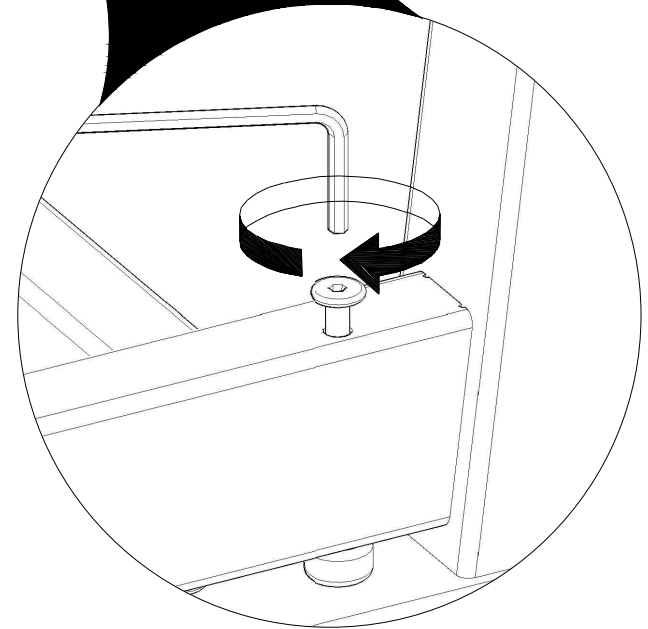
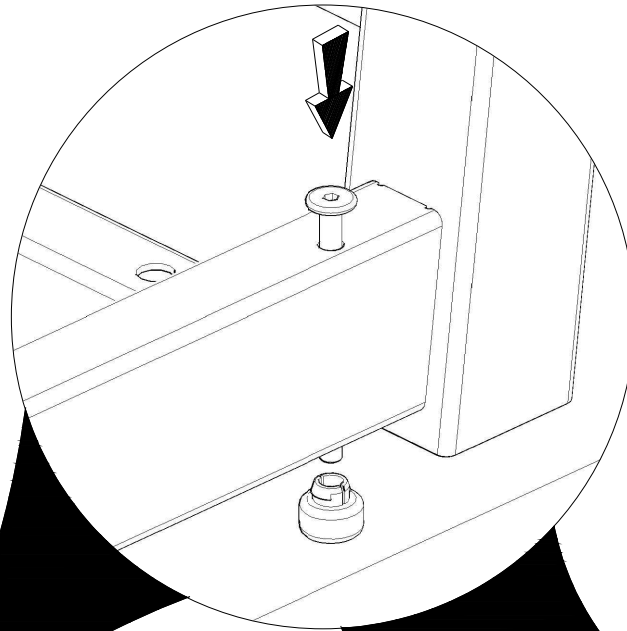
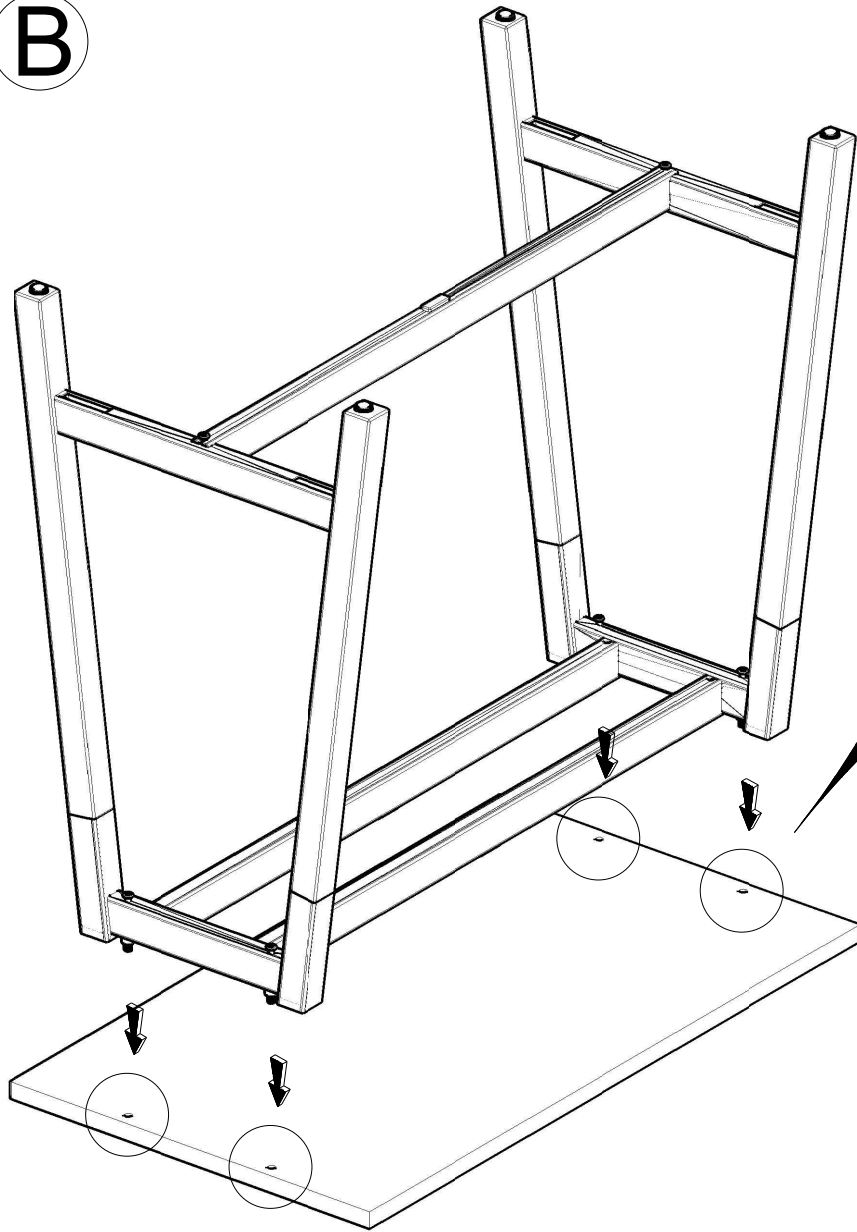


**PSD / PSM**

**A**

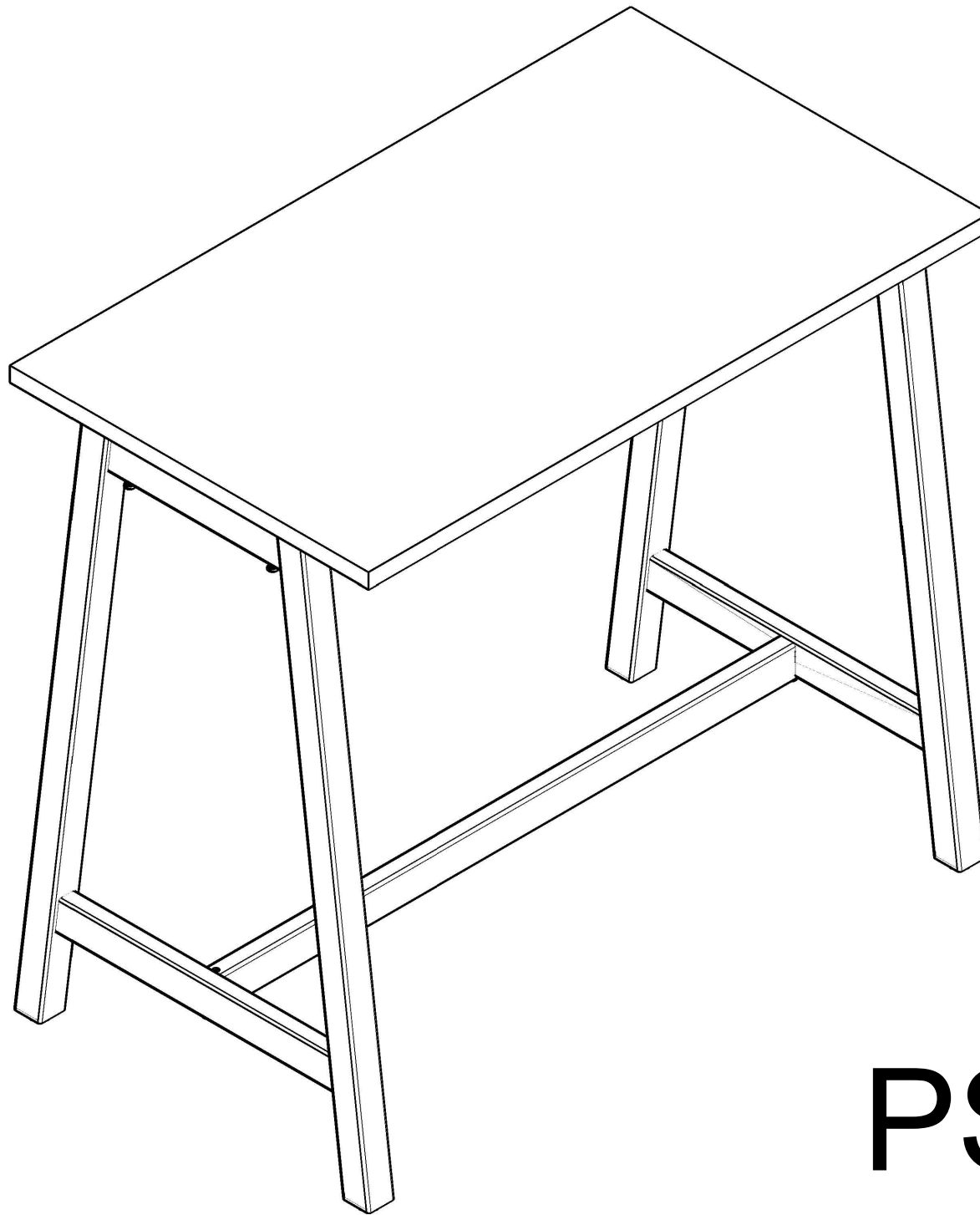


**B**

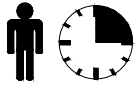


---

**.mdd**

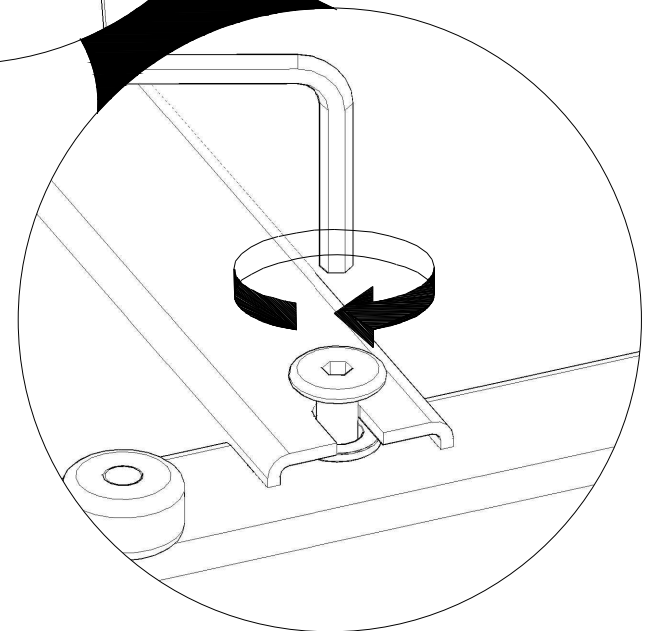
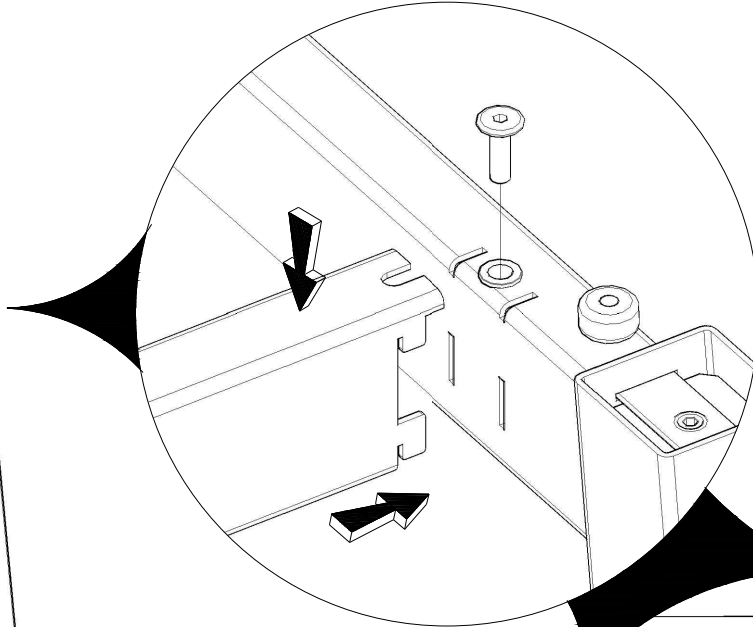
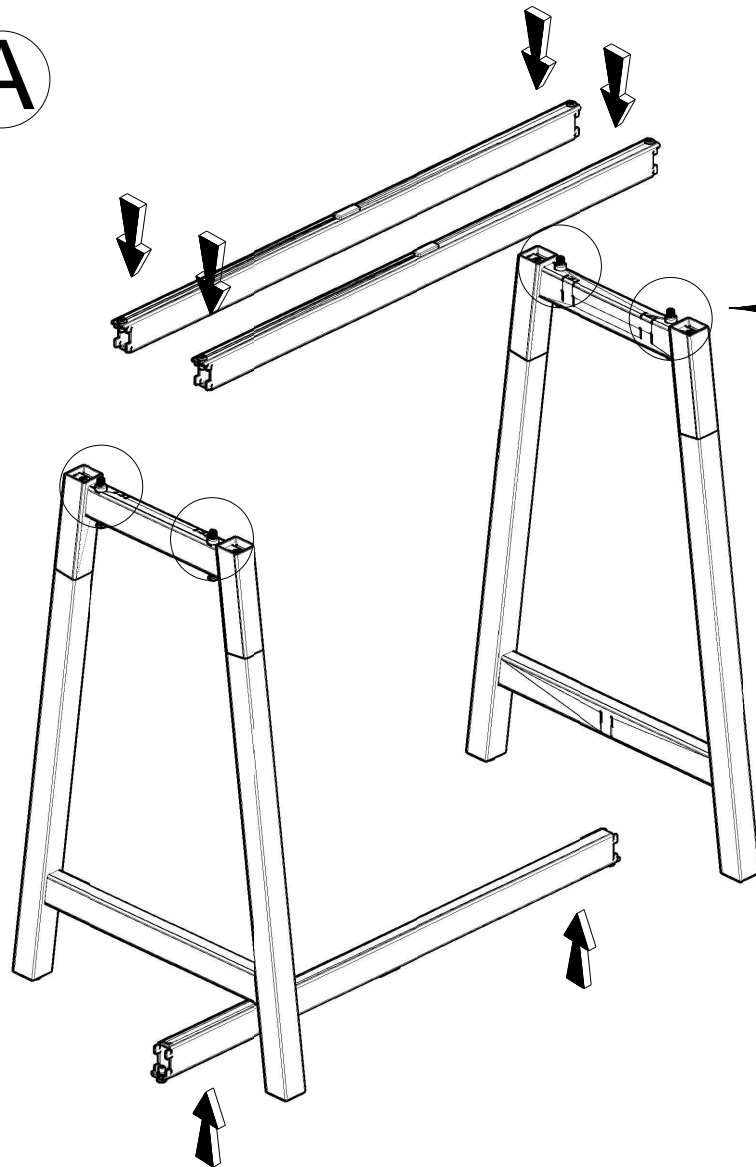


**PSM72**

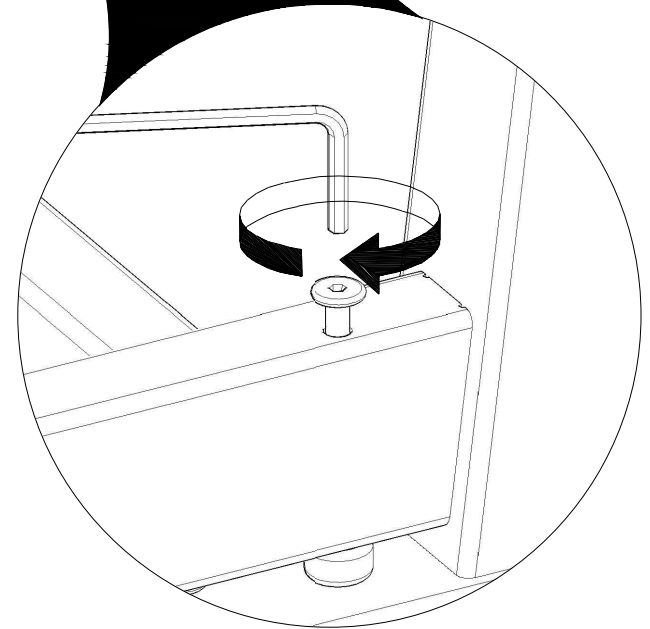
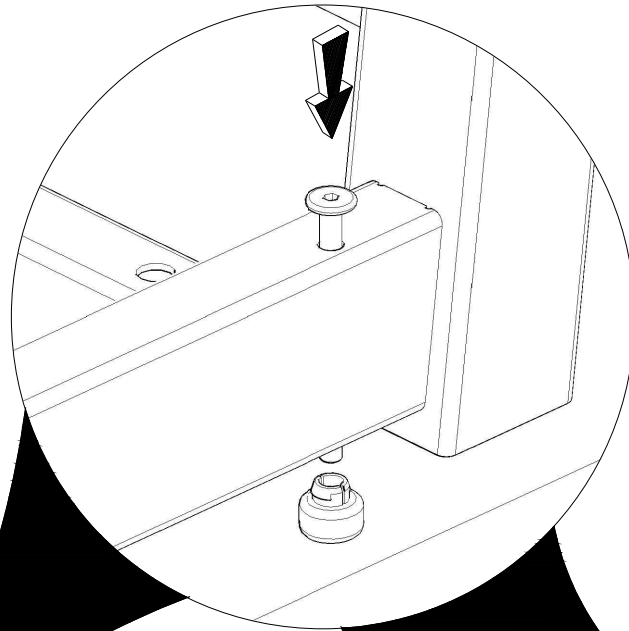
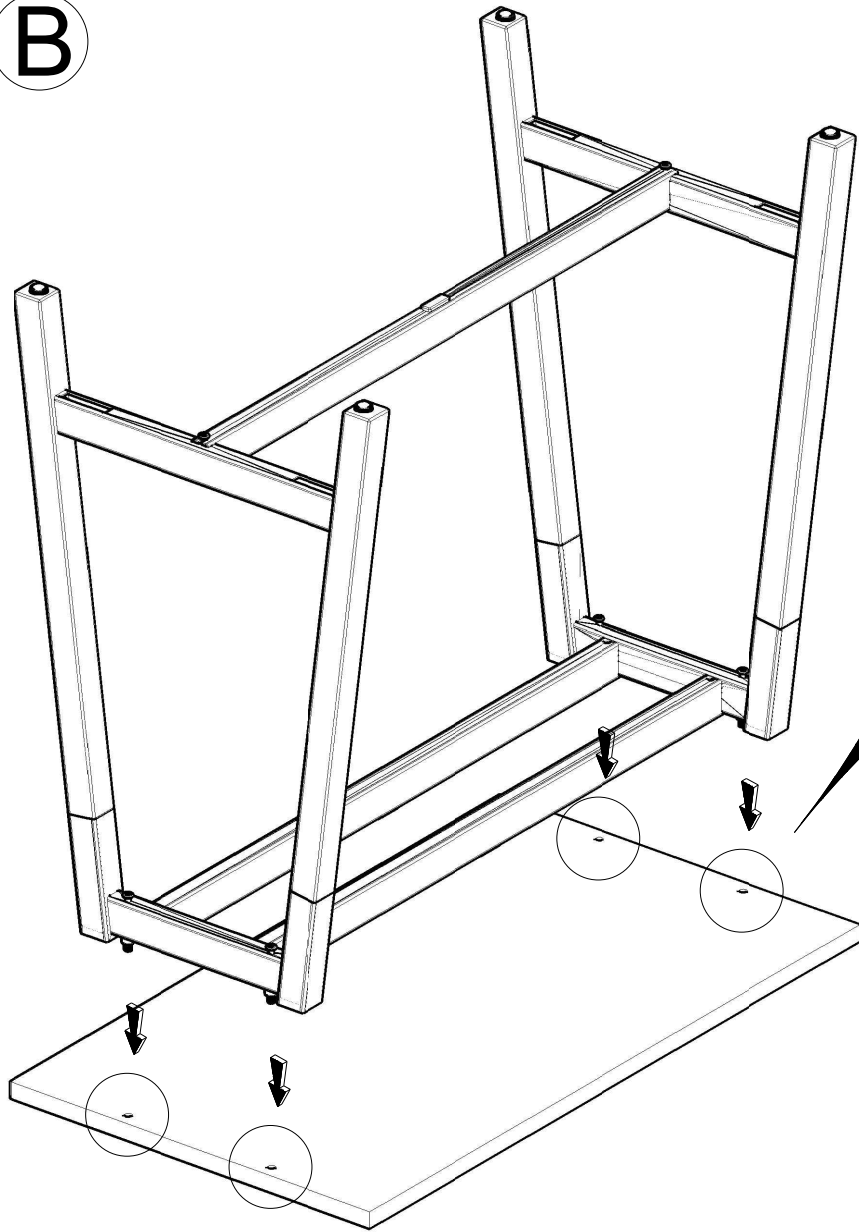


**PSD / PSM**

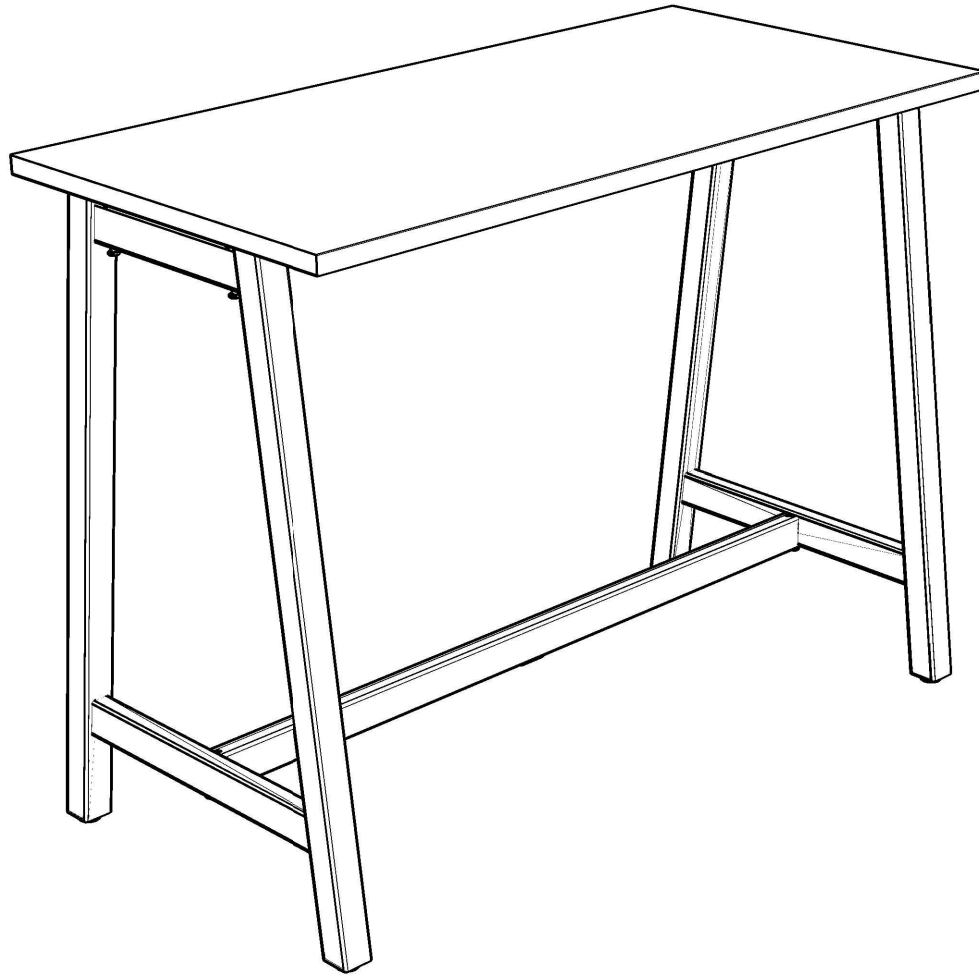
**A**



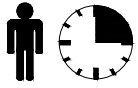
**B**



**.mdd**

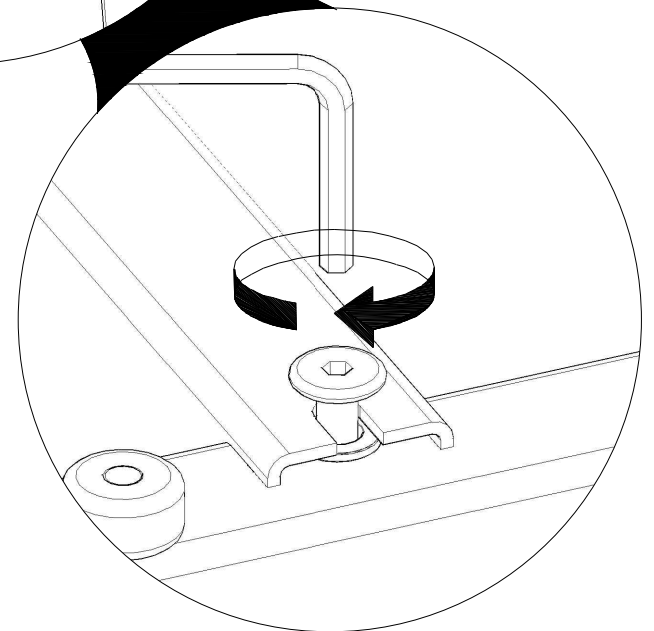
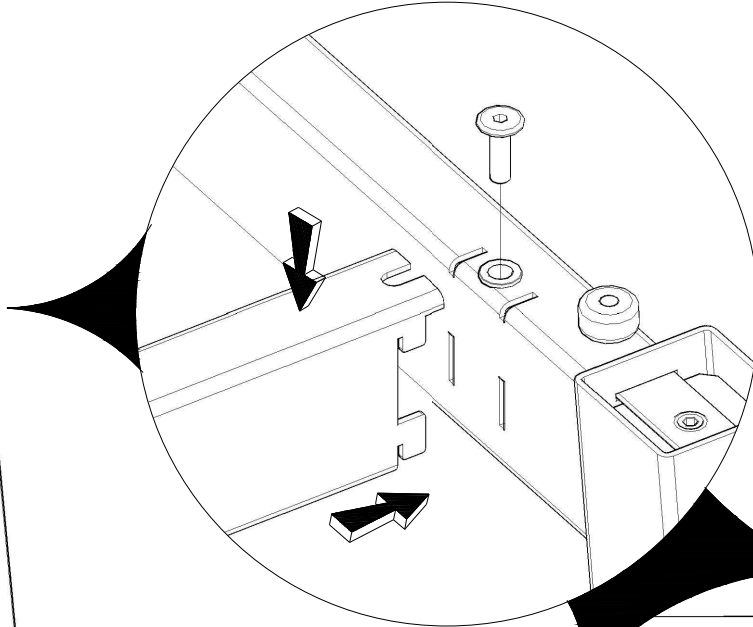
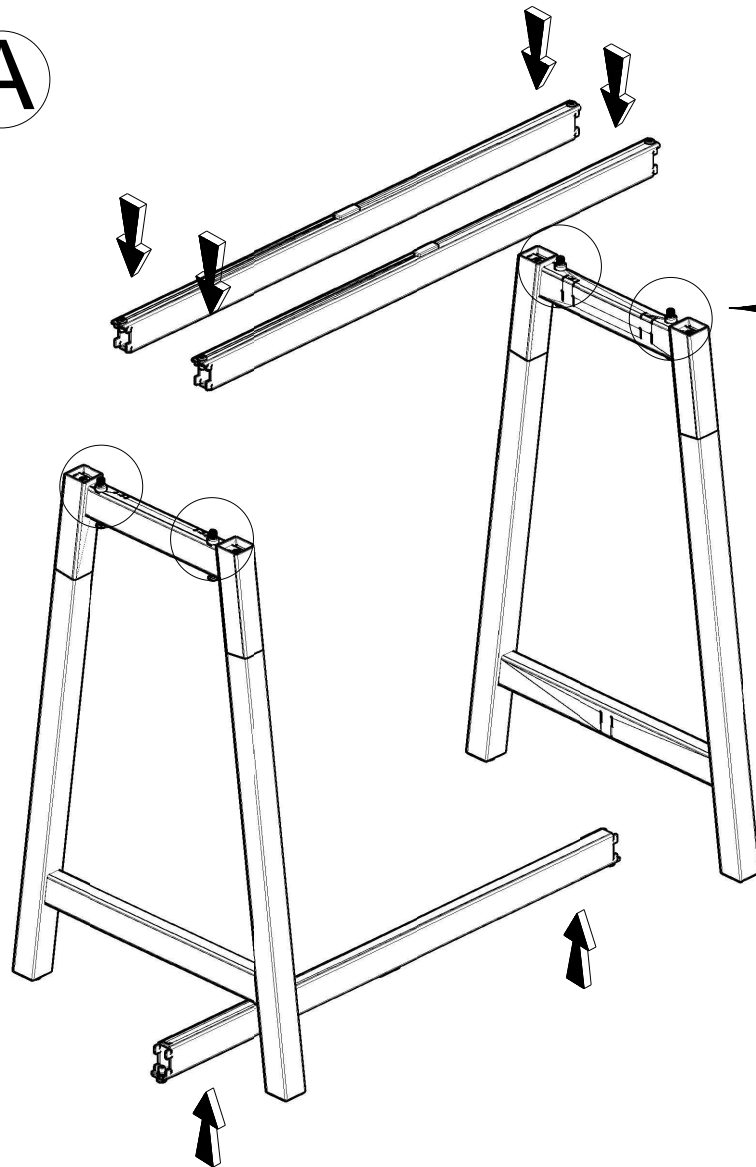


**PSM74**

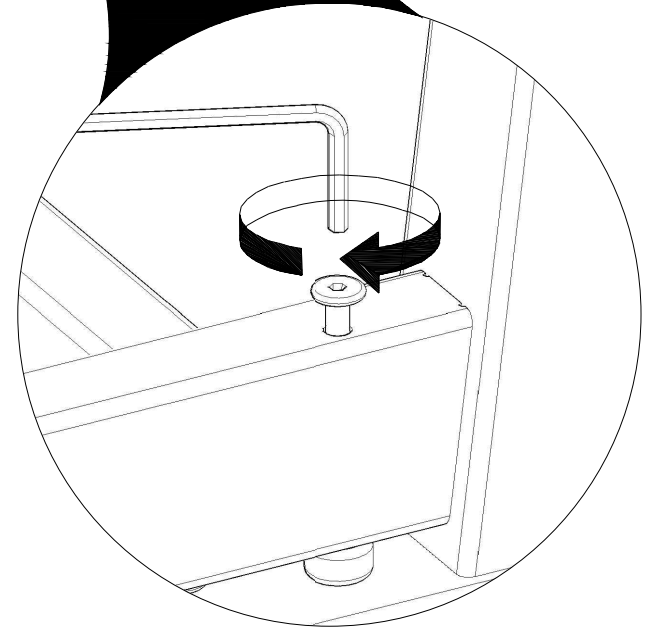
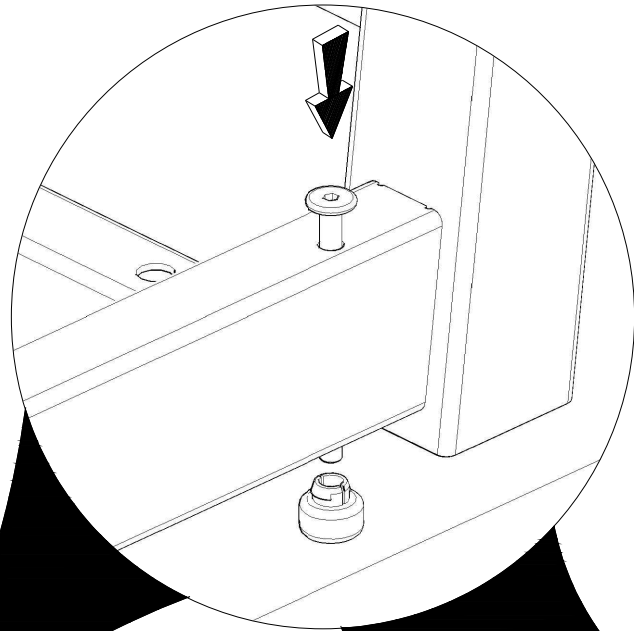
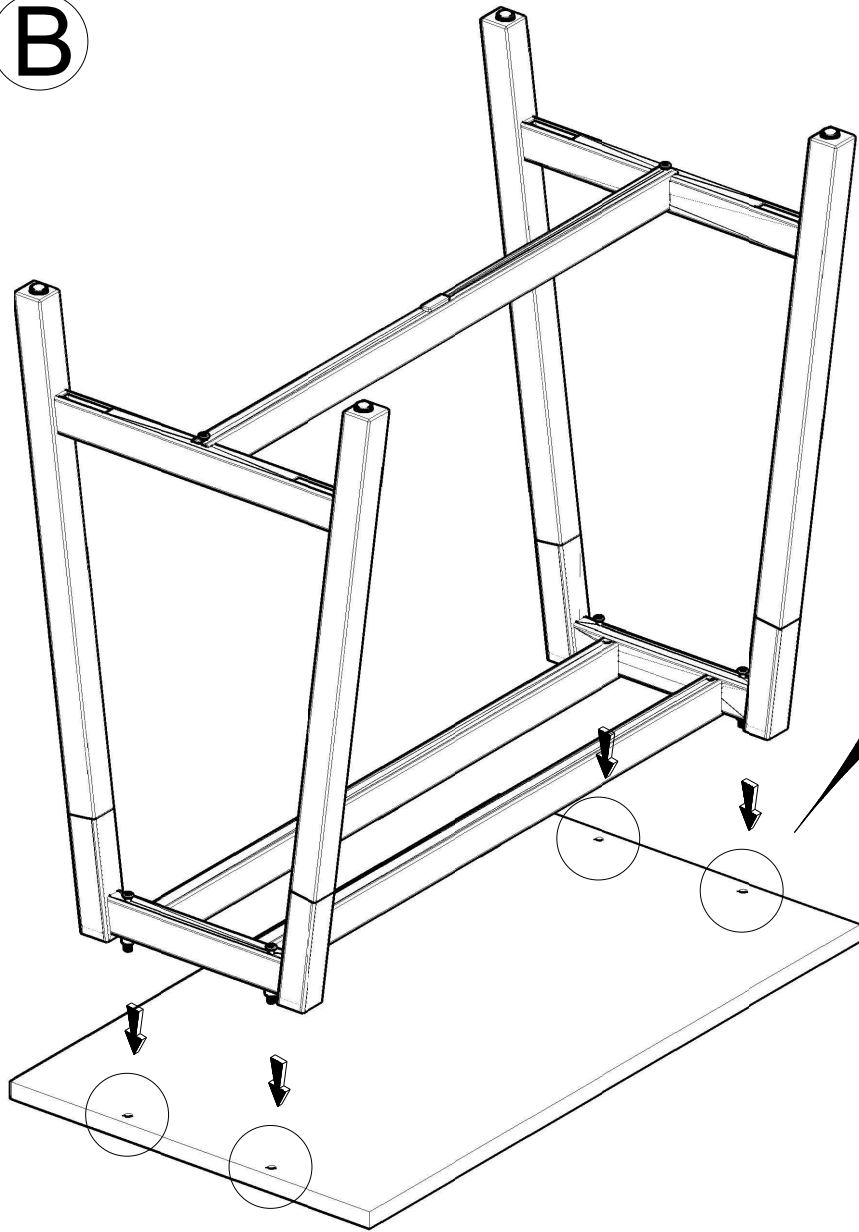


**PSD / PSM**

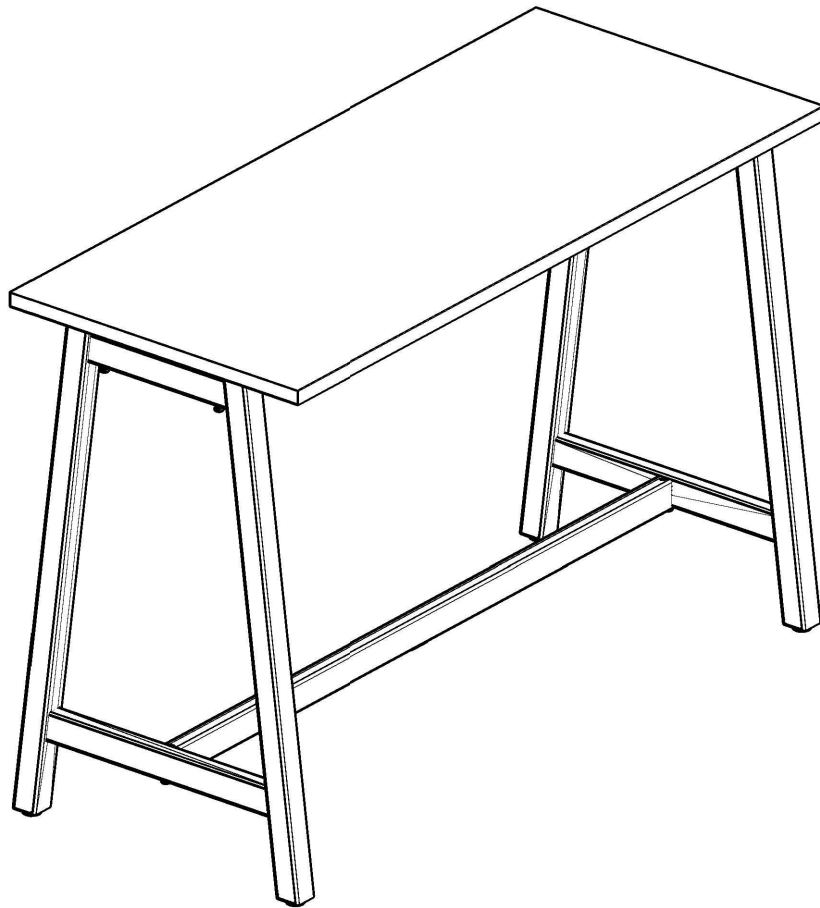
**A**



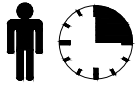
**B**



**.mdd**

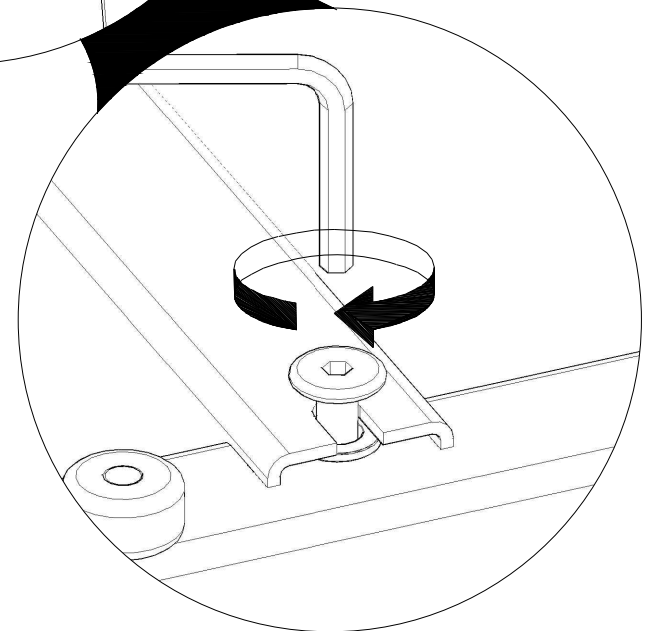
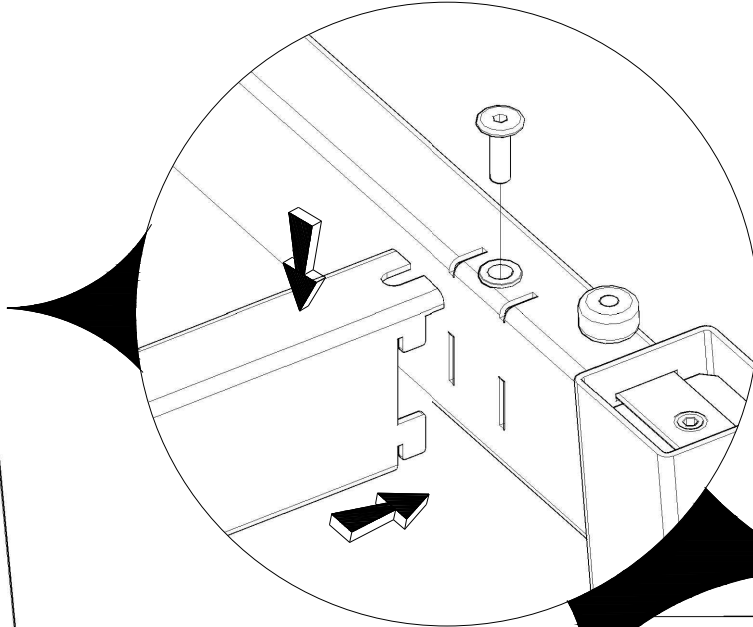
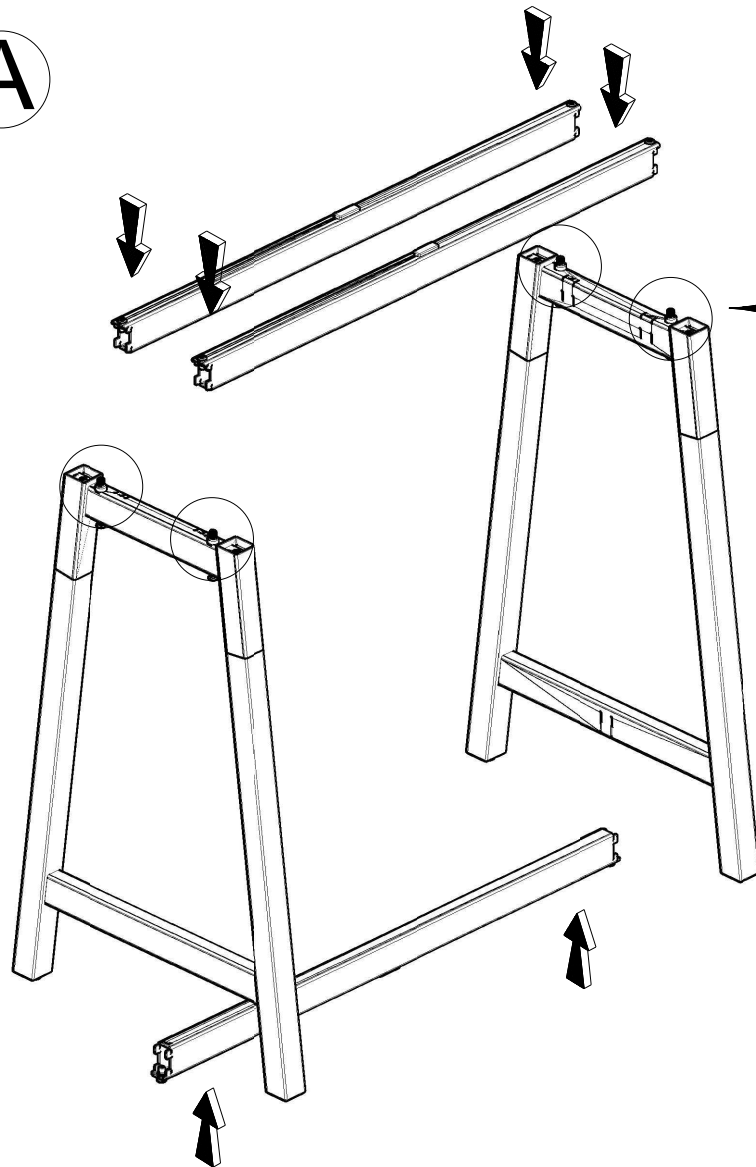


**PSM76**

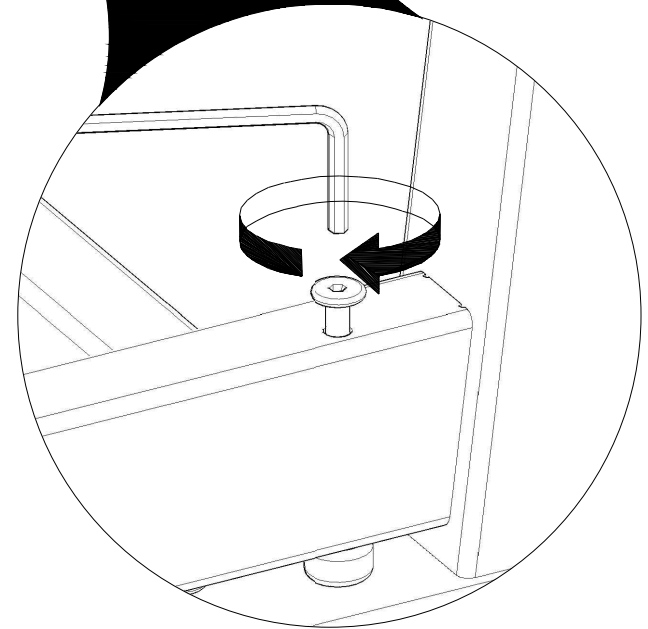
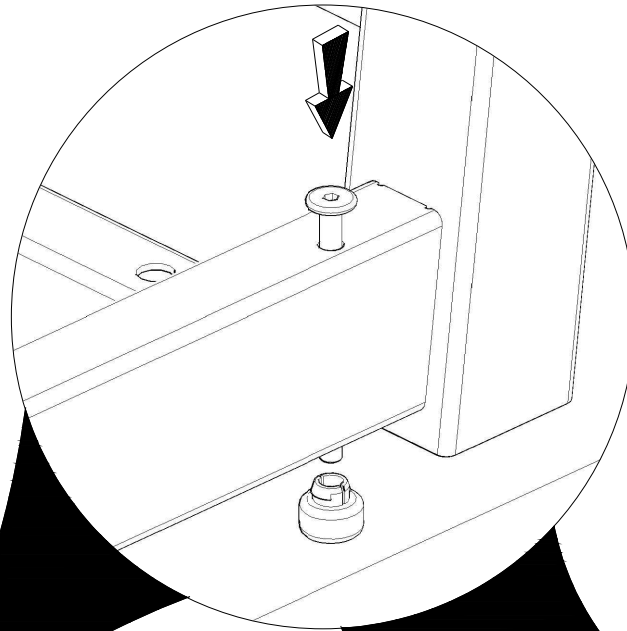
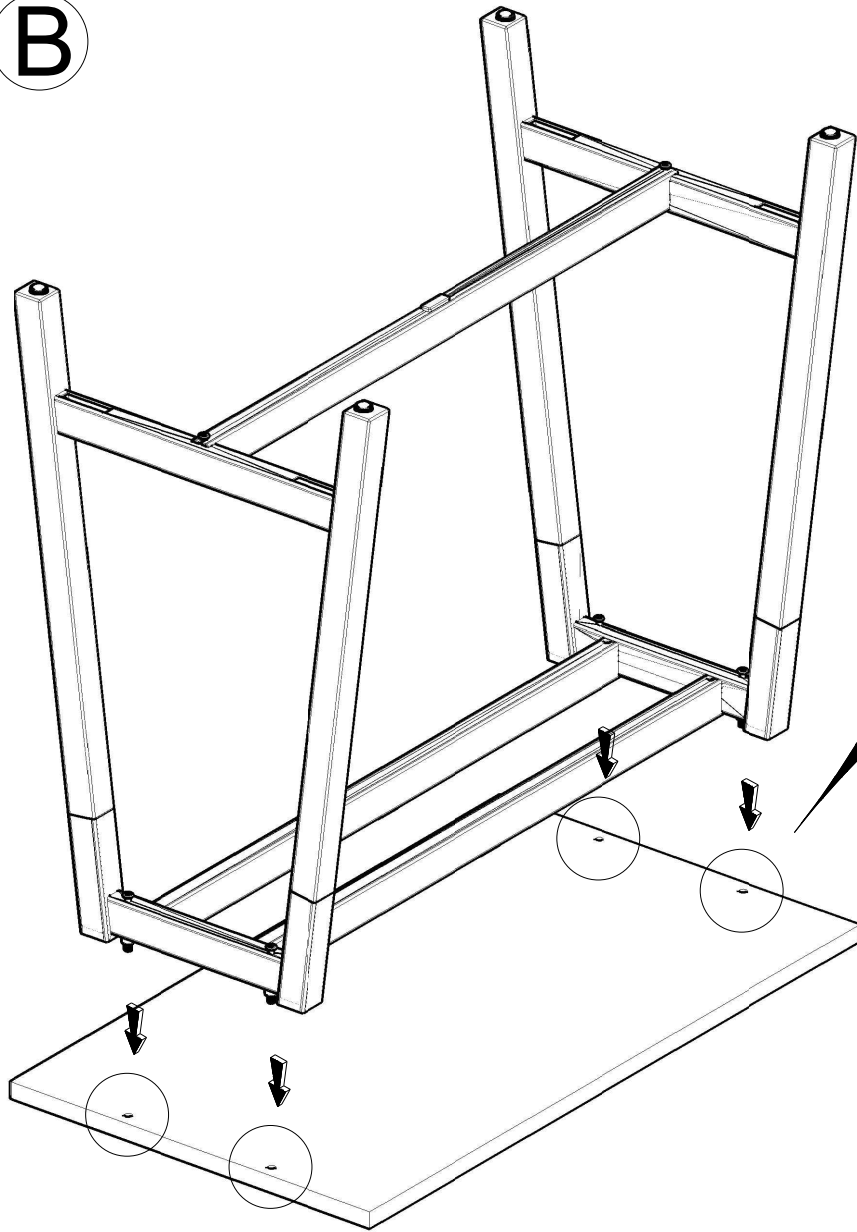


**PSD / PSM**

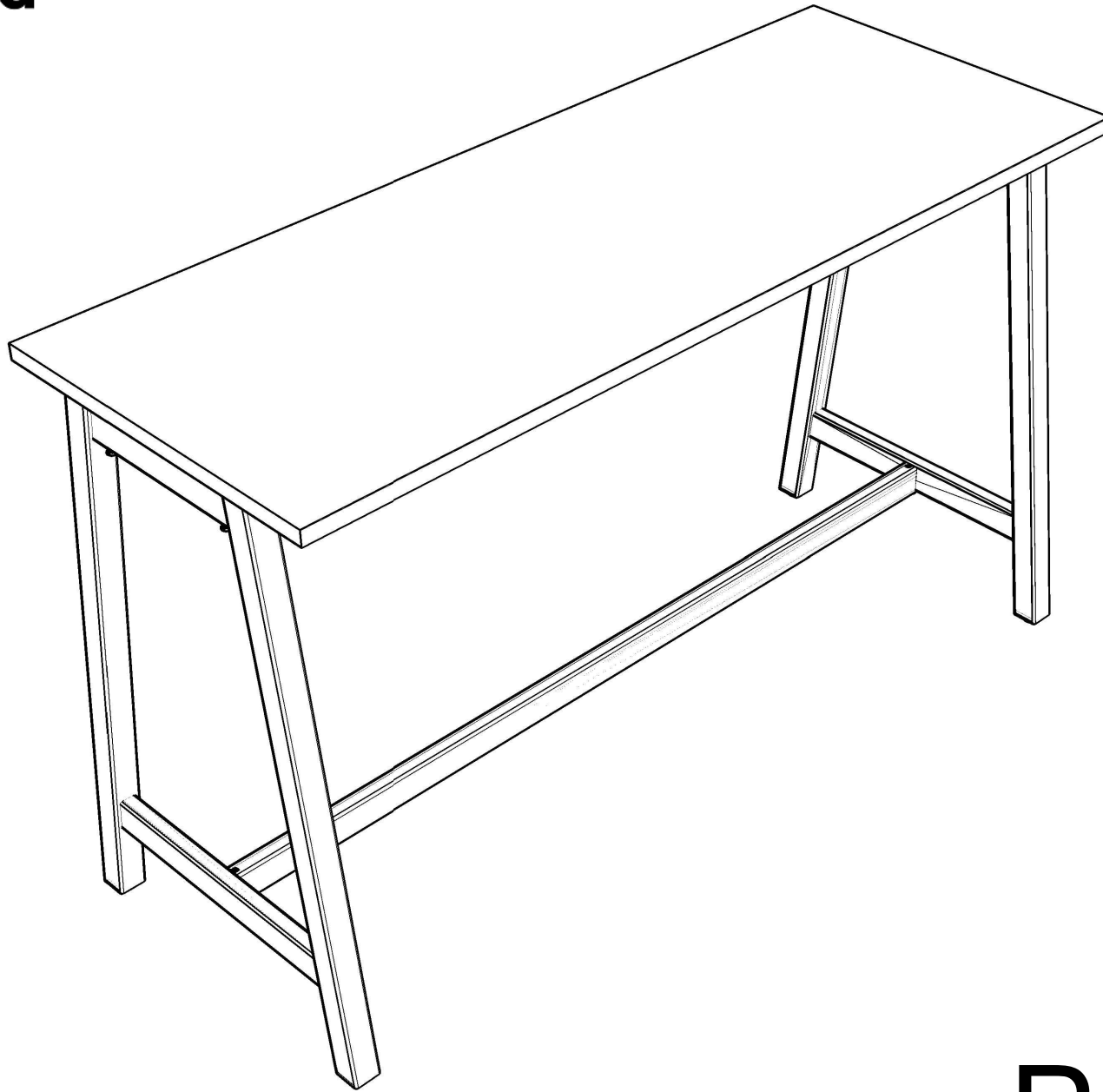
**A**



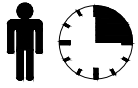
**B**



**.mdd**

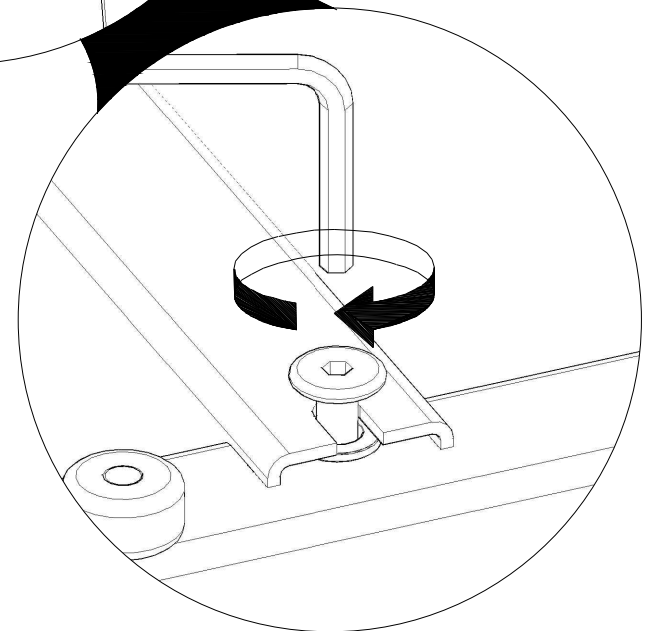
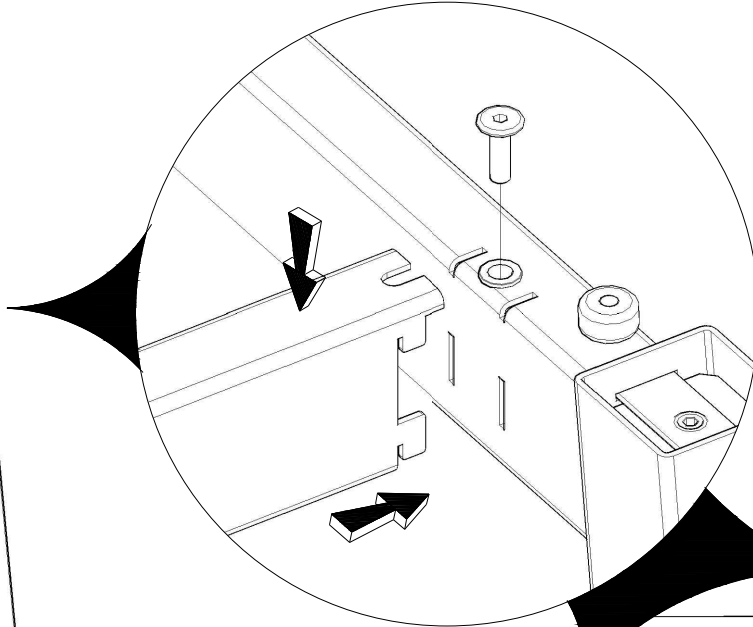
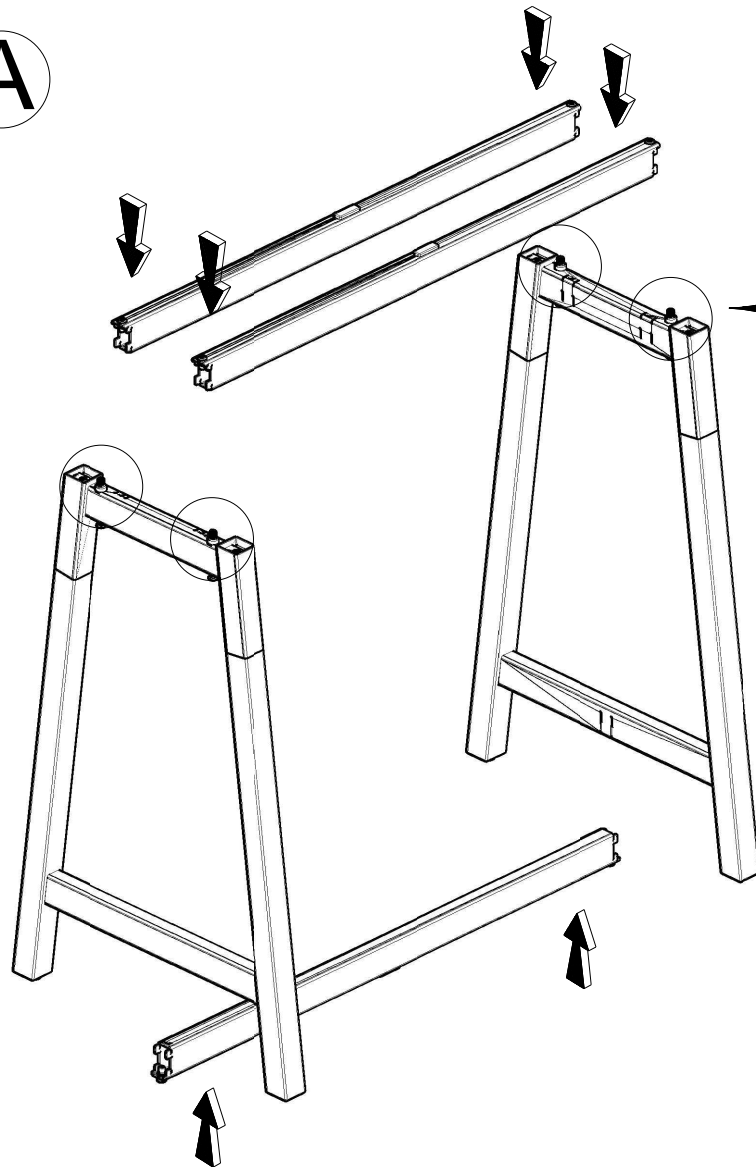


**PSM78**

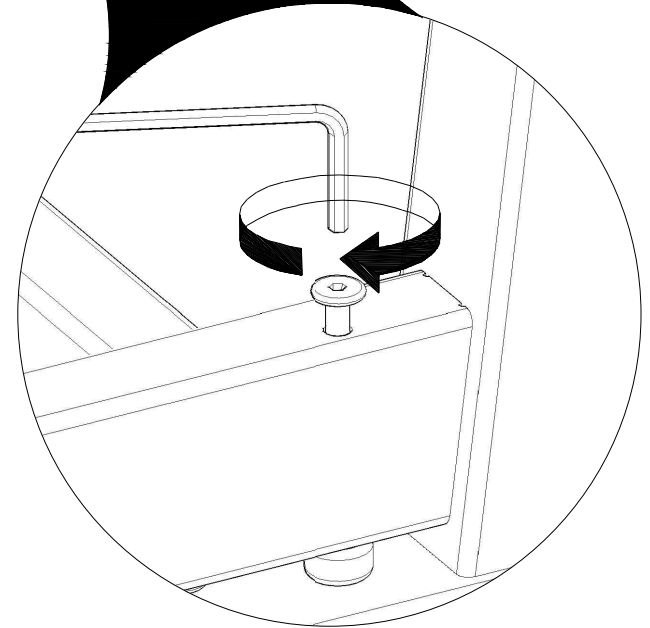
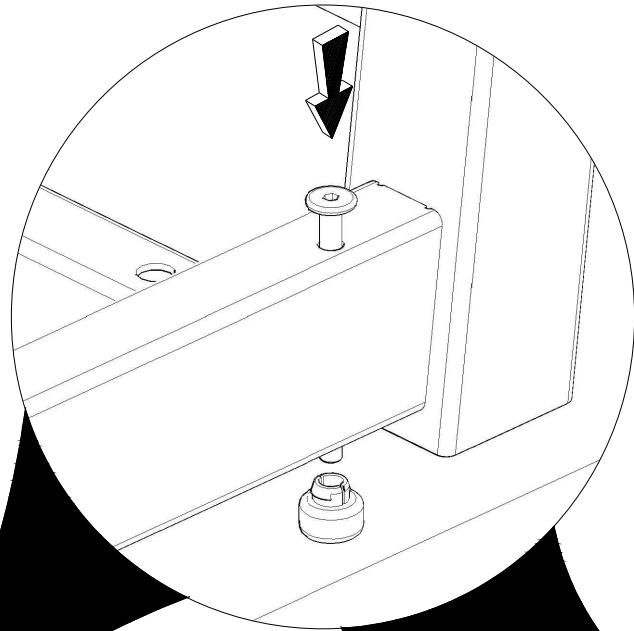
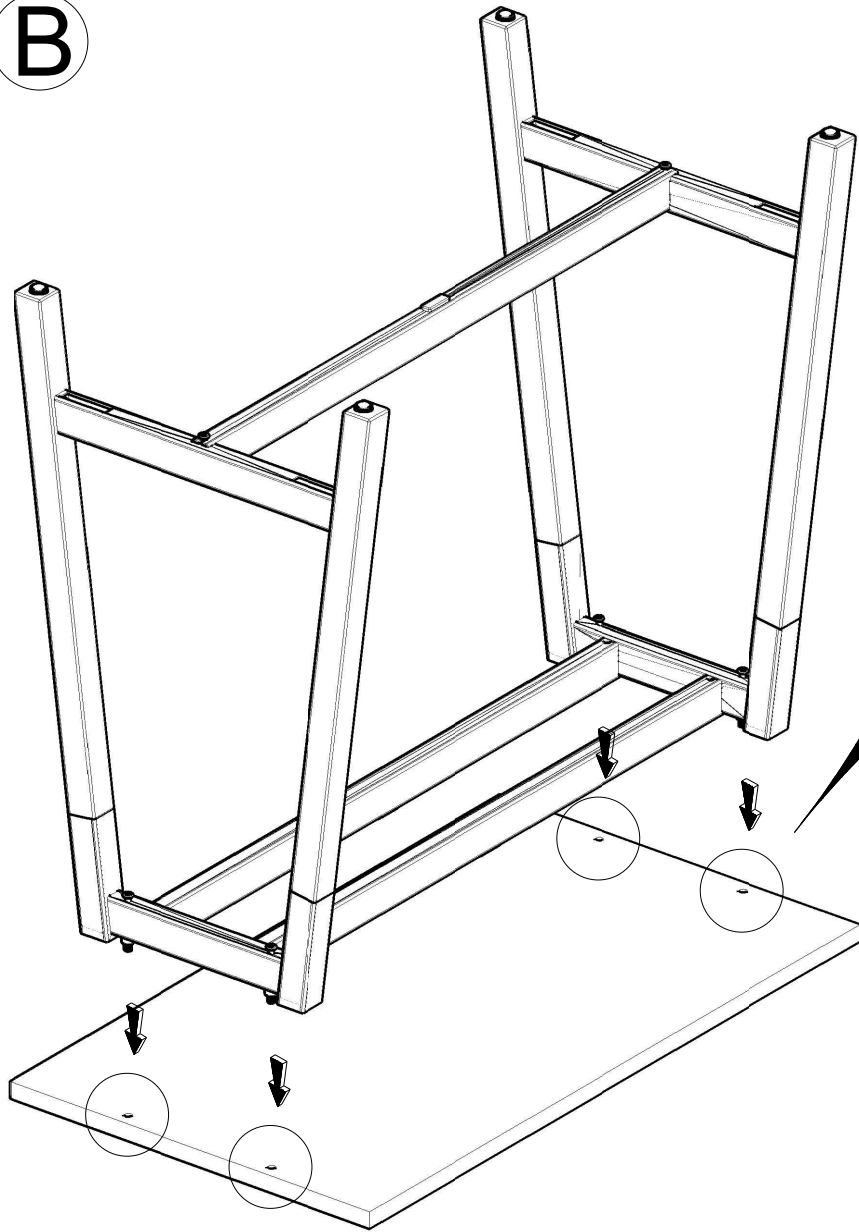


**PSD / PSM**

**A**



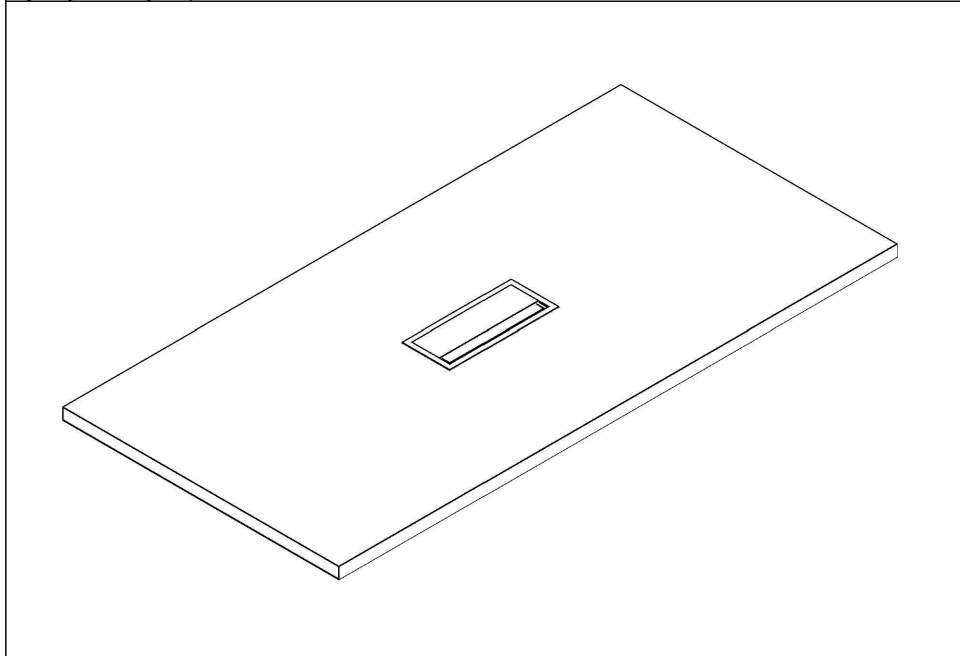
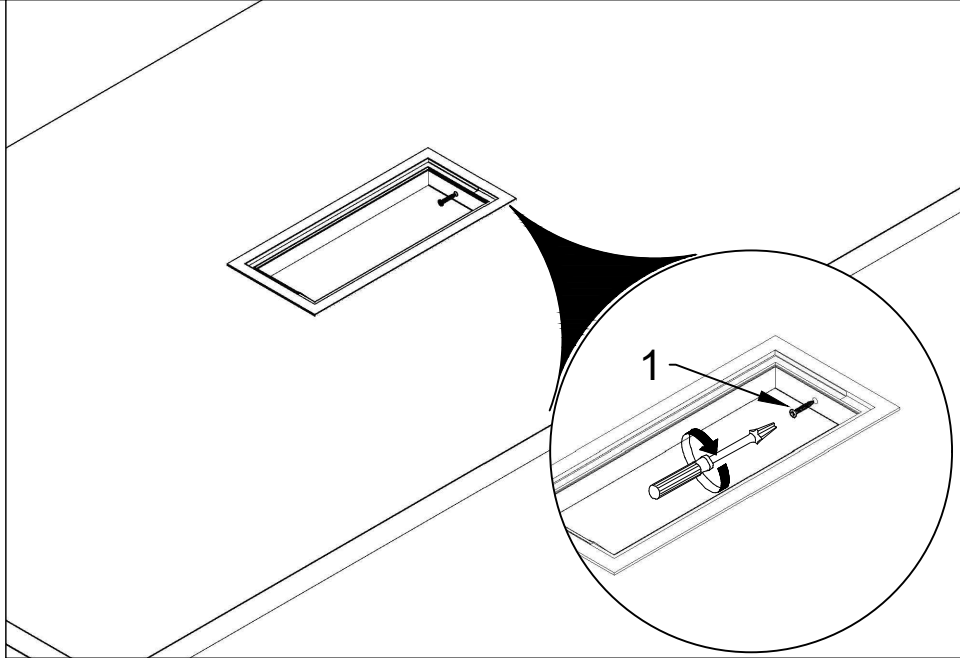
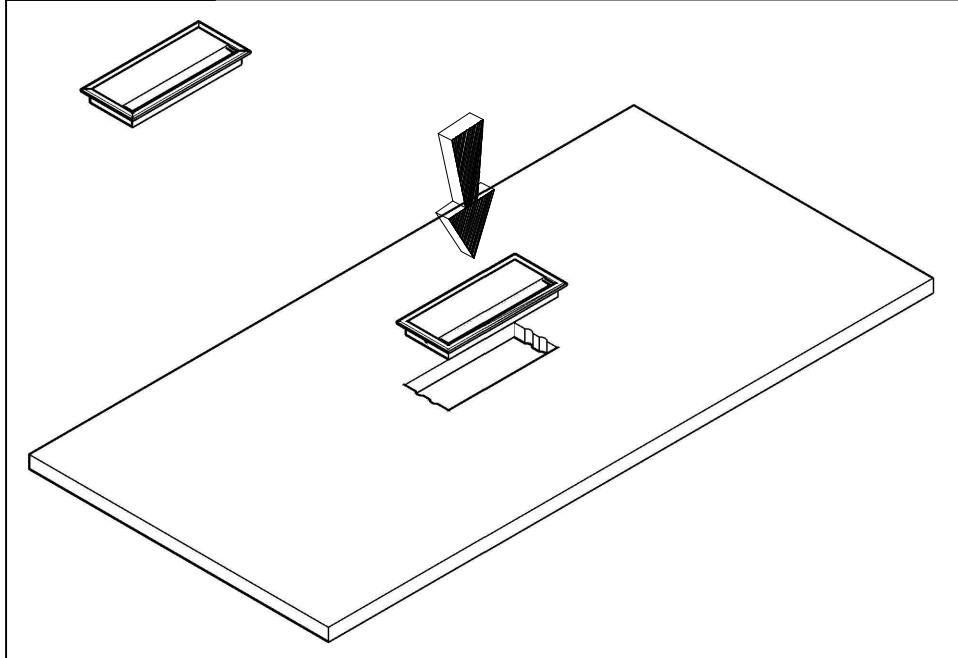
**B**



1



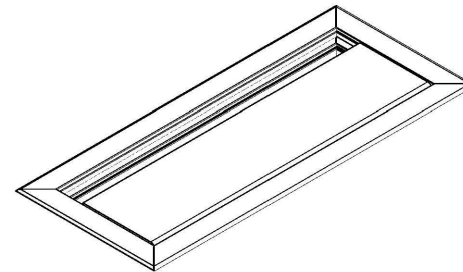
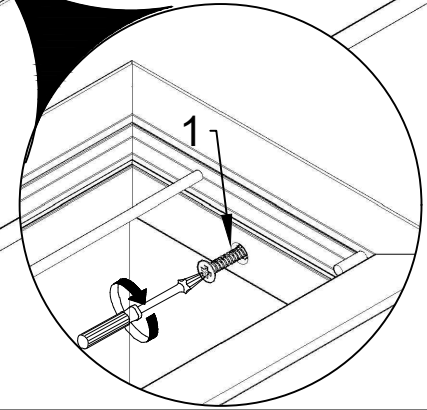
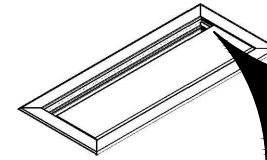
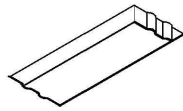
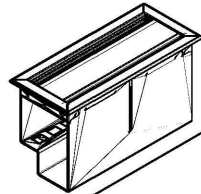
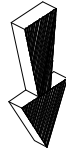
M05



1



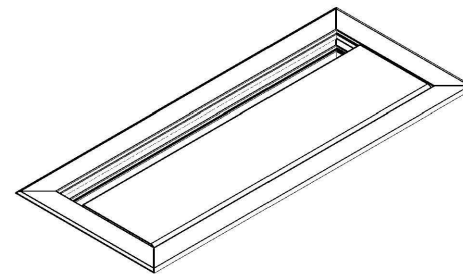
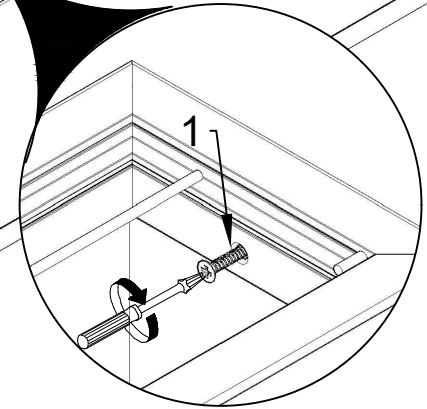
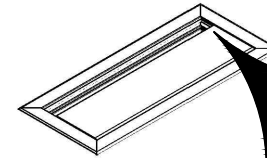
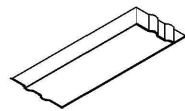
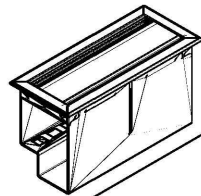
M04

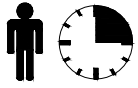


1



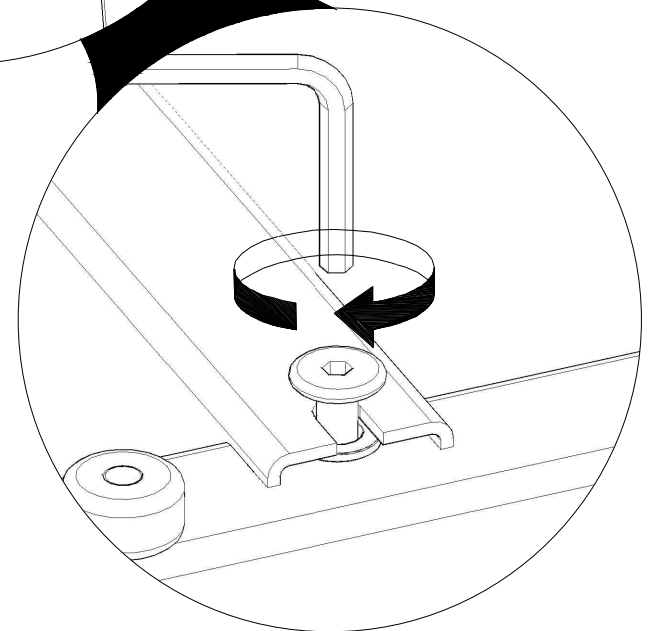
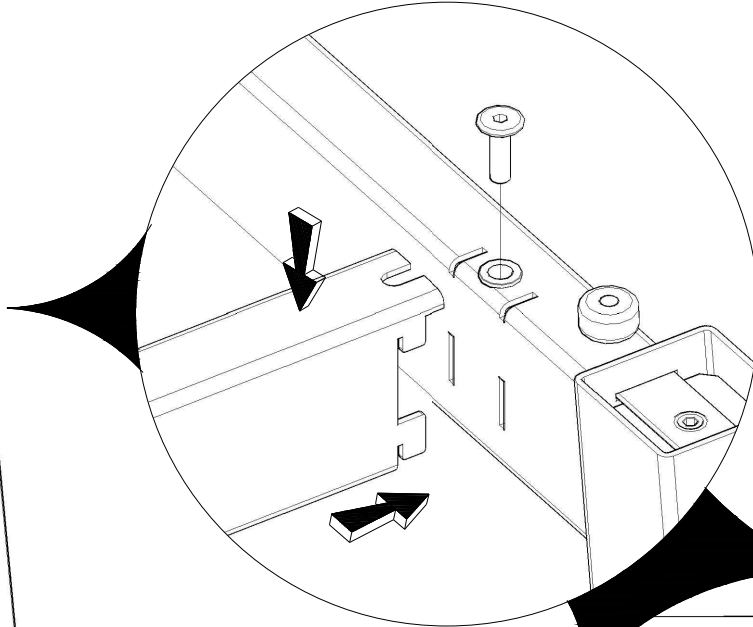
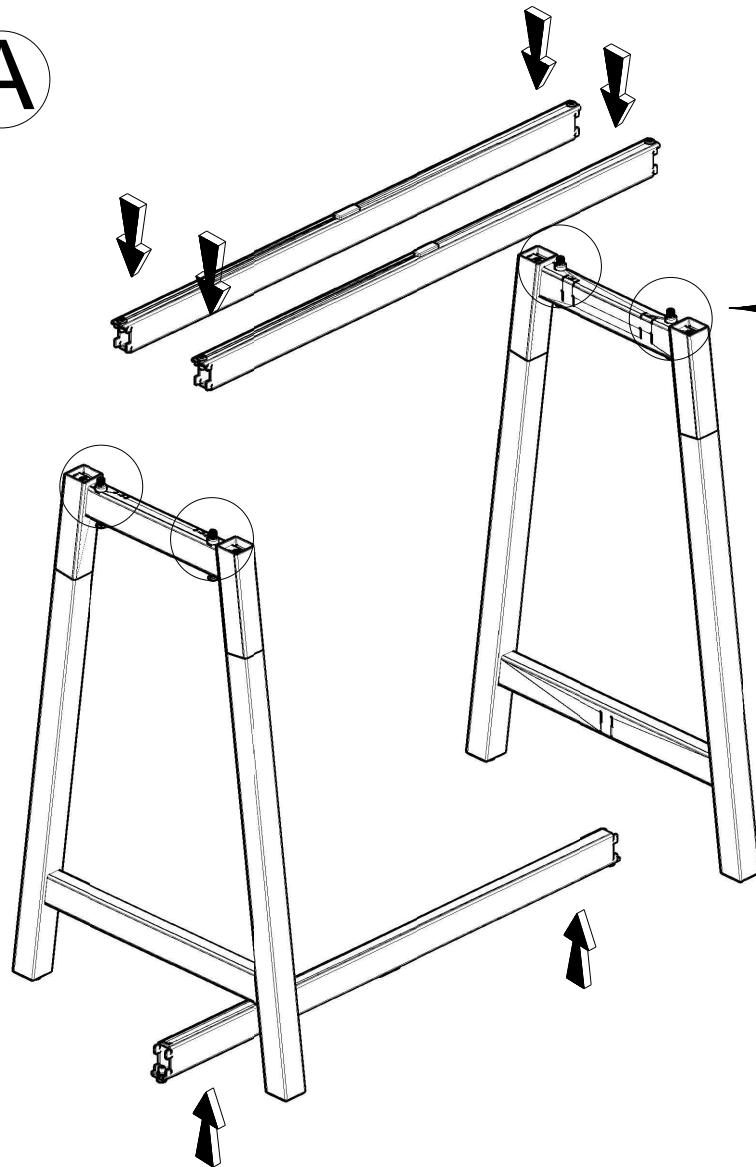
M04





**PSD / PSM**

**A**



**B**

