









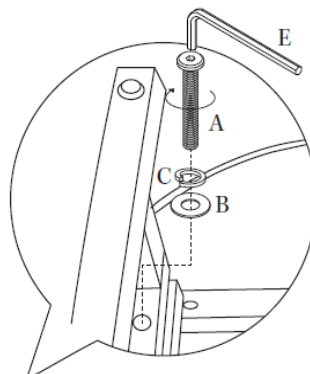
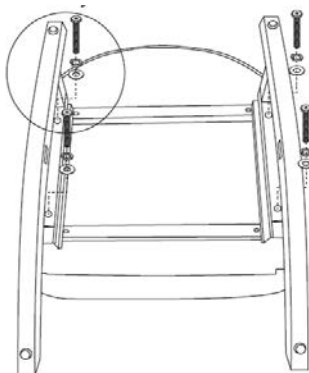


ASSEMBLY INSTRUCTIONS

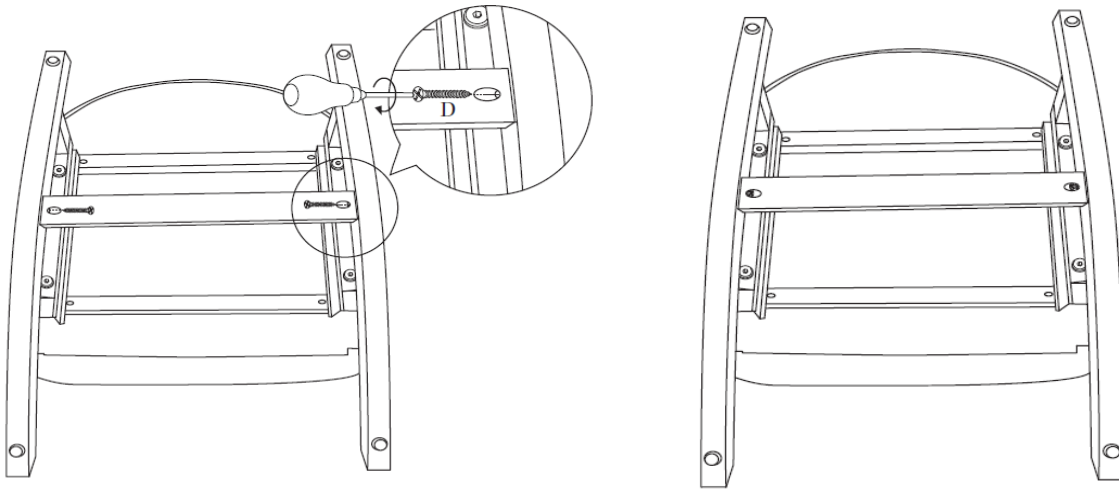
3900015 Abigail KD Fabric Tufted Rocking Chair

Parts#	Parts Name	Drawing	Qty
A	BOLT	 A x 4	4
B	FLAT WASHER	 B x 4	4
C	SPRING WASHER	 C x 4	4
D	METAL THREAD SCREW	 D x 2	2
E	ALLEN KEY	 E x 1	1
F	SUPPORT BAR	 F x 1	1
G	LEG	 G x 2	2
H	CHAIR	 H x 1	1

1. Align a leg (G) to the underside of the chair body (H) so that the screw holes overlap. Fit a spring washer (C) then a flat washer (B) to a bolt (A). Insert the bolt into the hole and turn the bolt with the allen key (E) until it is secure but do not tighten yet. Repeat for the other leg.



2. Fit the tenons on both ends of the support bar (F) to the mortises on the legs (G). Make sure that the screw holes on the support bar face the ground when chair is standing upright. Insert the metal thread screw (D) into the hole and tighten with a phillips head screwdriver.



3. Gently lift the chair and place upright on a level surface. Enjoy your new rocking chair!

