

# ASSEMBLY INSTRUCTIONS

**npd**  
furniture and more

1900092

Bjorn KD Accent Chair

Part Identification

Hardware

(1)×1



(7)×1



(2)×2



(3)×2



(4)×8



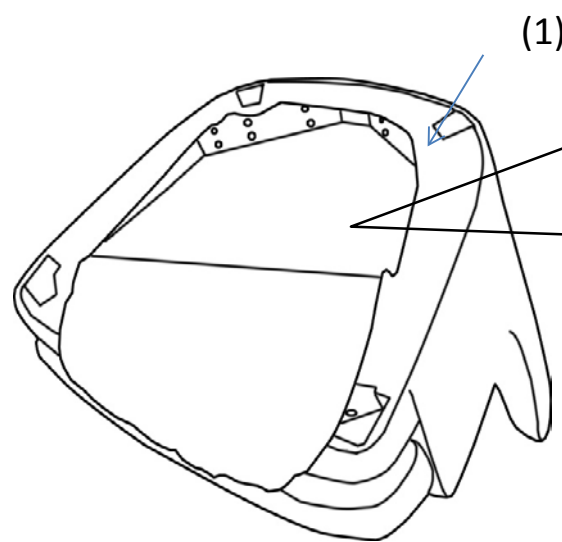
(5)×8



(6)×8



1:



(1)



\*2



\*2



\*8



\*8

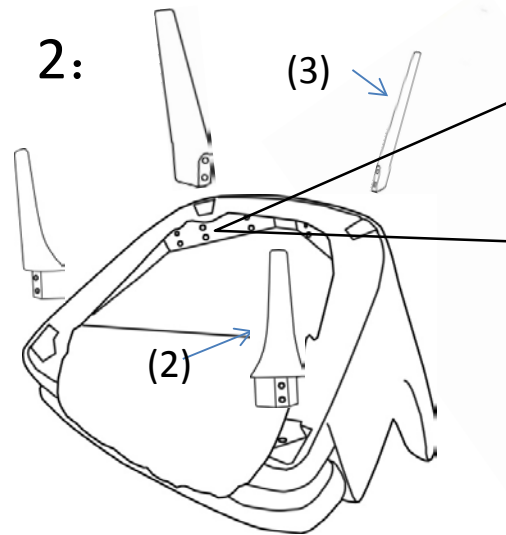


\*1



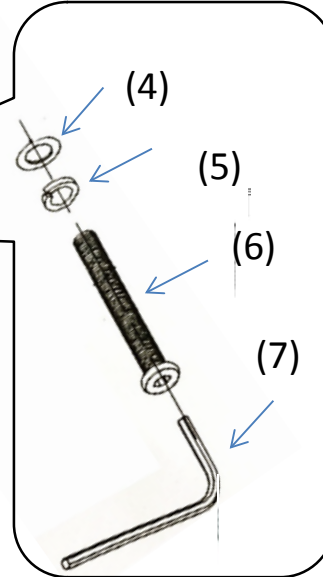
\*8

2:



(3)

(2)



(4)

(5)

(6)

(7)

3:

