



1160006

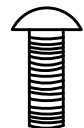
Darwin Fabric
Bamboo Counter
Stool

Assembly Instructions

Hardware identification



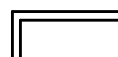
Ⓐ M6*40MM x 04



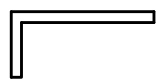
Ⓑ M6*55MM x 04



Ⓒ M6*12MM x 04

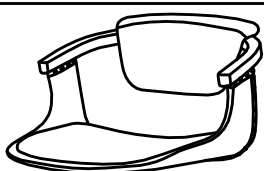


Ⓓ M4 x 01

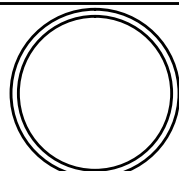


Ⓔ M5 x 01

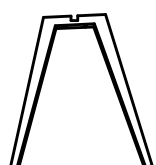
Part identification



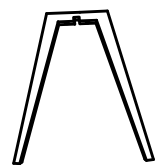
① x 1PC



② x 1PC

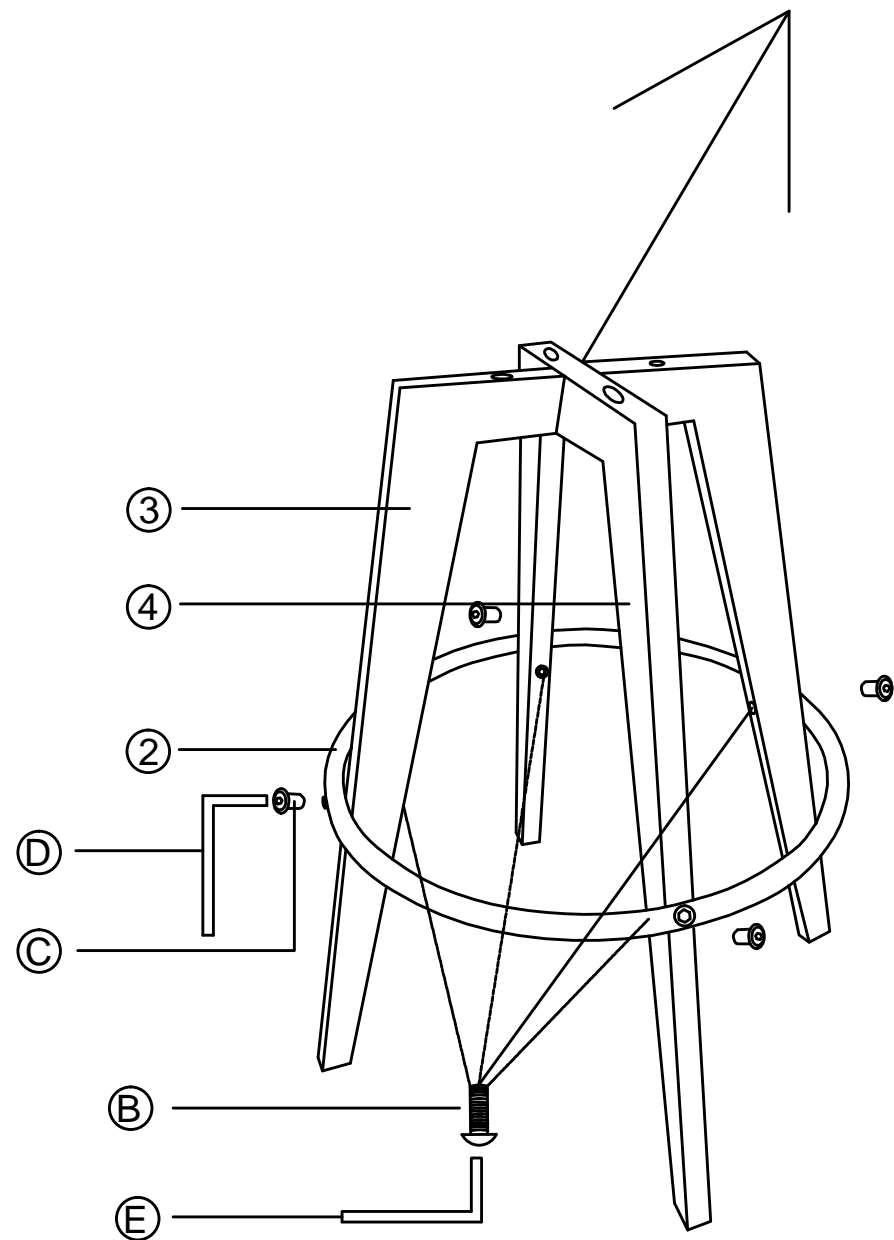
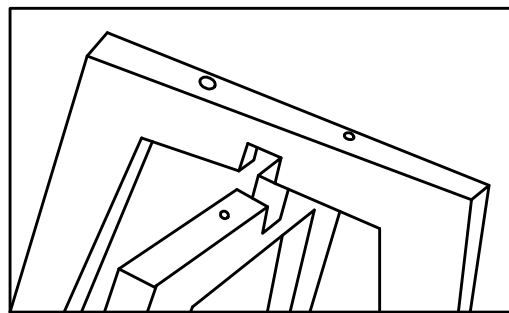


③ x 1PC

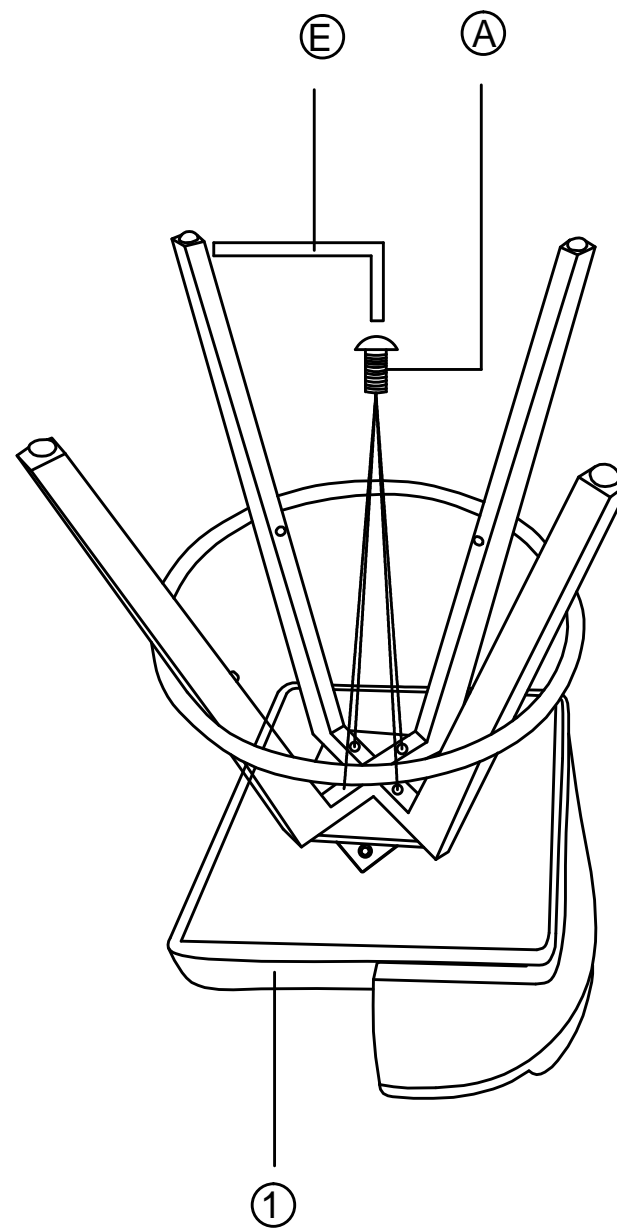


④ x 1PC

1



2



3

