



1160004

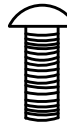
Cyprus Fabric Bar Stool

Assembly Instructions

### Hardware identification



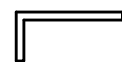
Ⓐ M6\*45MM x 04



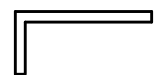
Ⓑ M6\*50MM x 04



Ⓒ M6\*12MM x 04

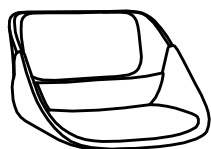


Ⓓ M4 x 01

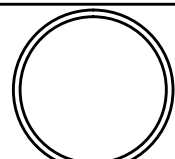


Ⓔ M5 x 01

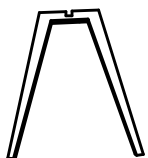
### Part identification



① x 1PC



② x 1PC

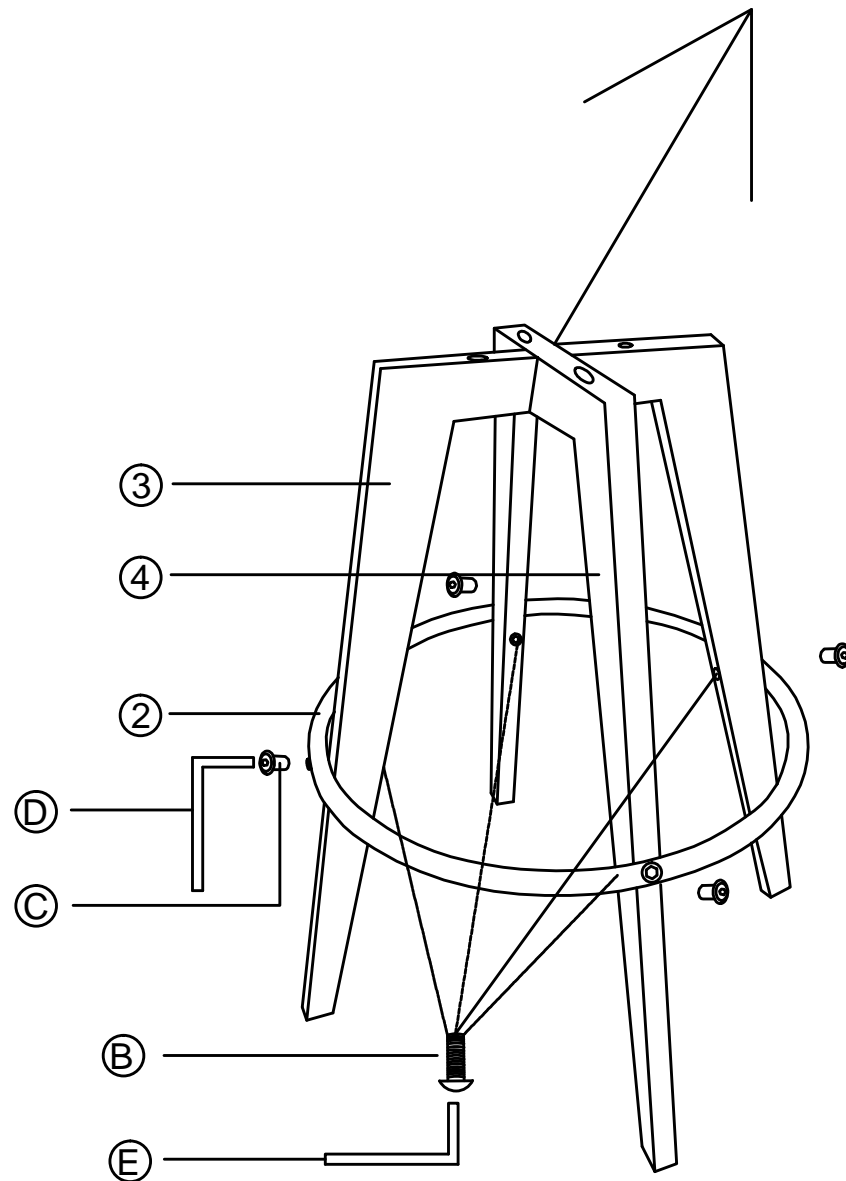
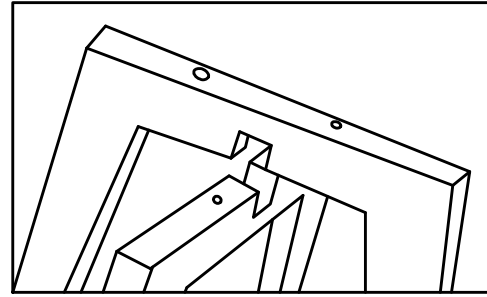


③ x 1PC

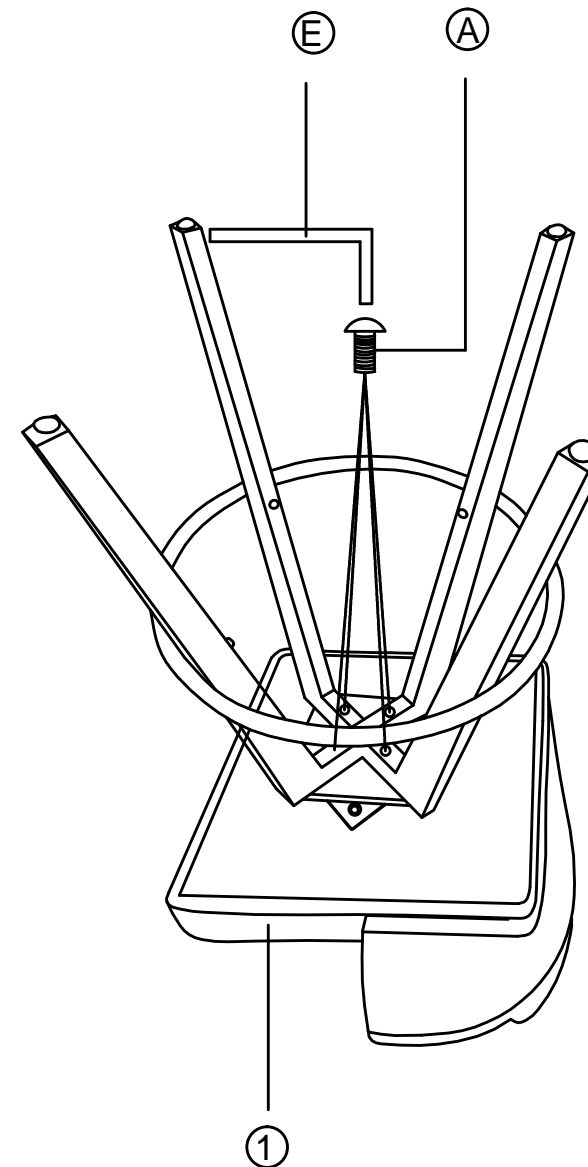


④ x 1PC

1



2



3

