



1160002

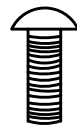
Darwin Fabric
Bamboo Bar Stool

Assembly Instructions

Hardware identification



Ⓐ M6*45MM x 04



Ⓑ M6*50MM x 04



Ⓒ M6*12MM x 04

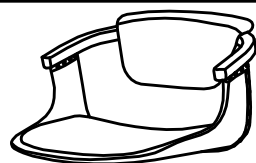


Ⓓ M4 x 01

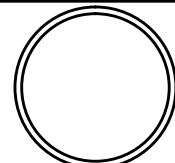


Ⓔ M5 x 01

Part identification



① x 1PC



② x 1PC

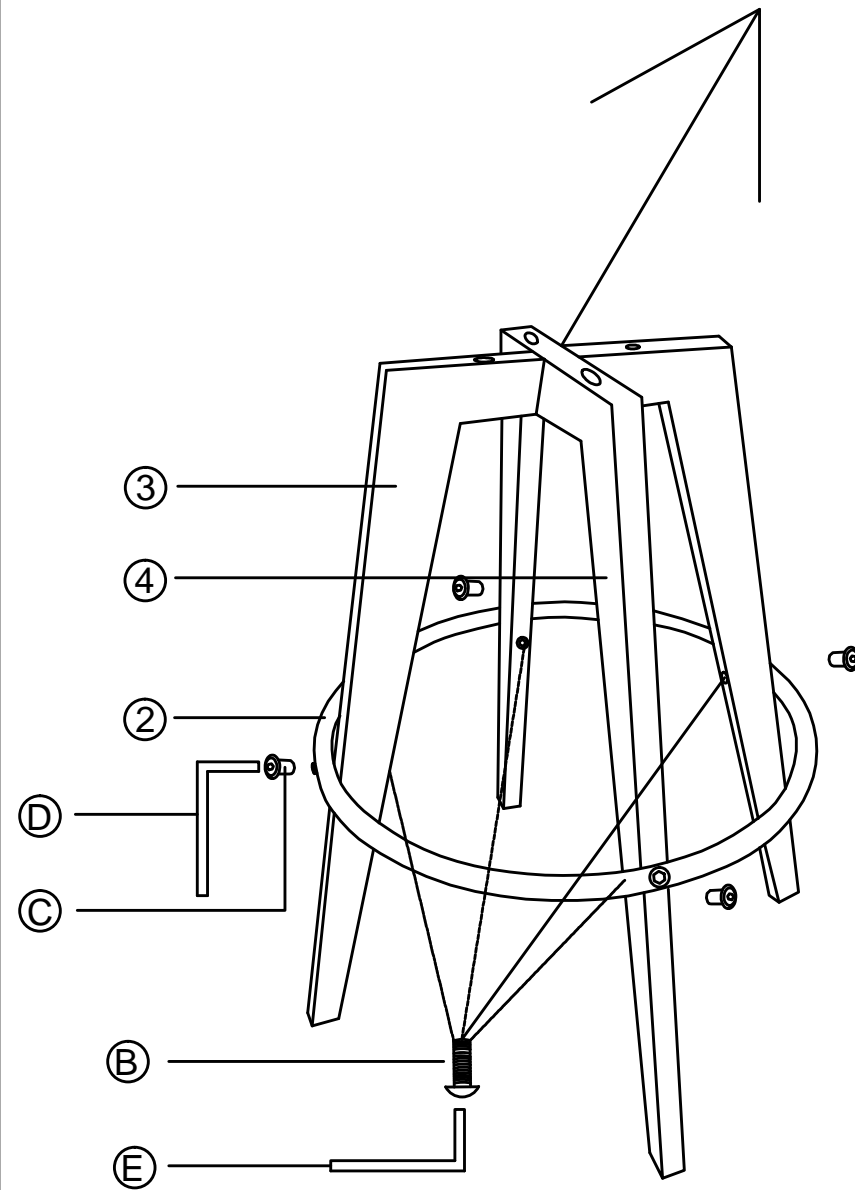
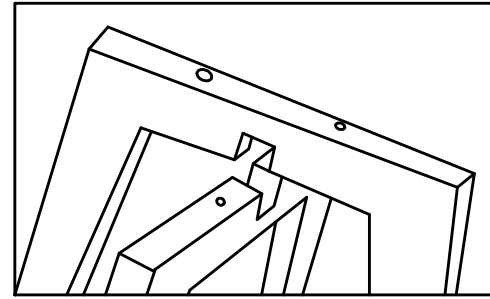


③ x 1PC

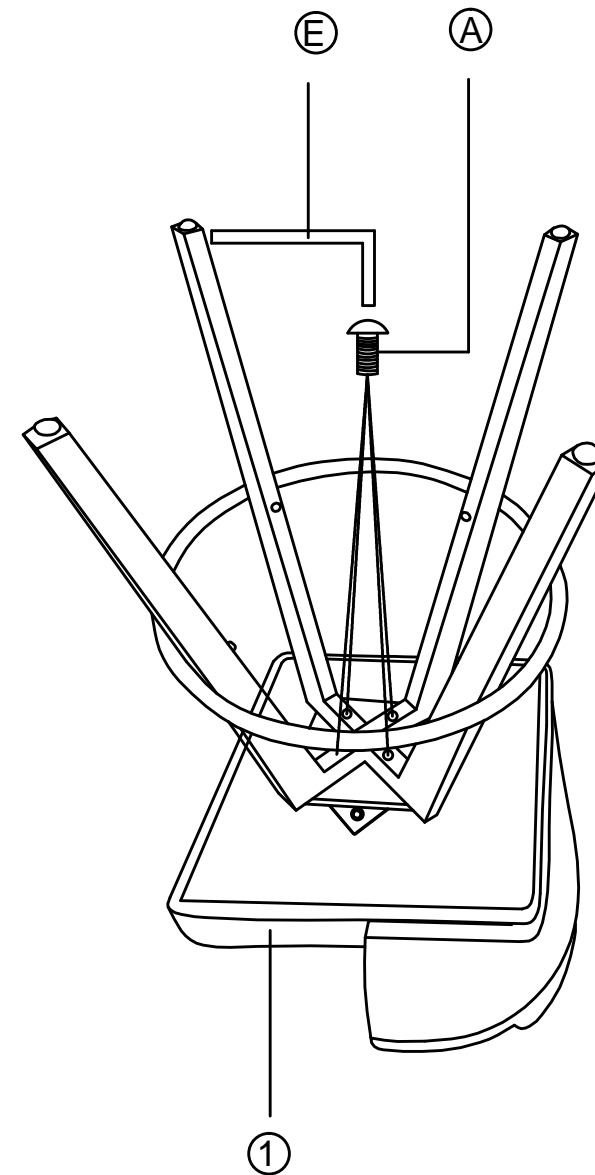


④ x 1PC

1



2



3

