

WIND TASK CHAIR

Operating instructions



Headrest with height and 30° angle adjustment



Fixed armrests

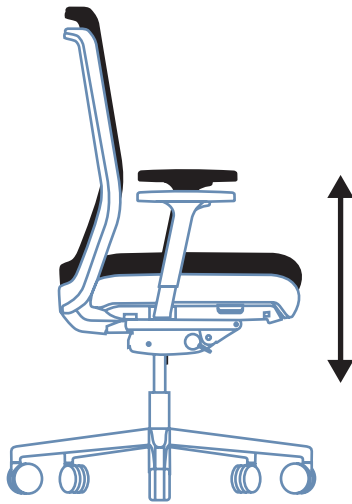


2D (two directions) adjustable armrests



3D (three directions) adjustable armrests

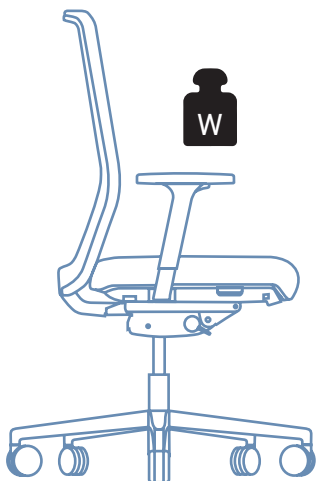
Seat height adjustment



Synchronized mechanism with 3 locking positions



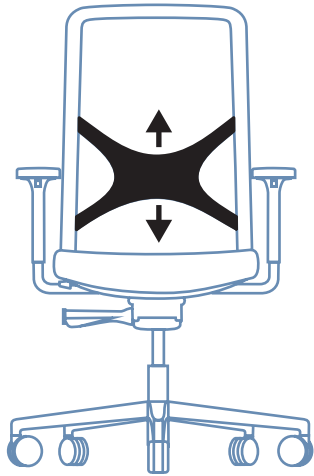
Weight-sensitive mechanism



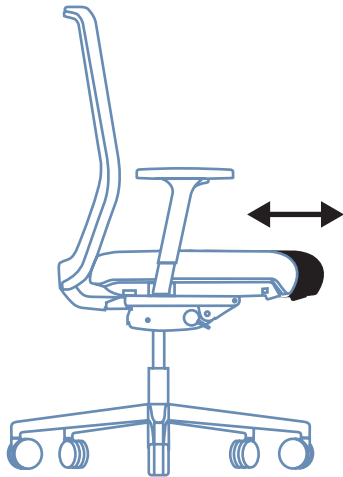
Automatic adjustment



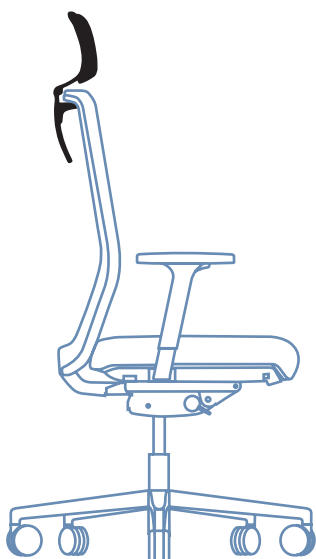
Height adjustable lumbar support



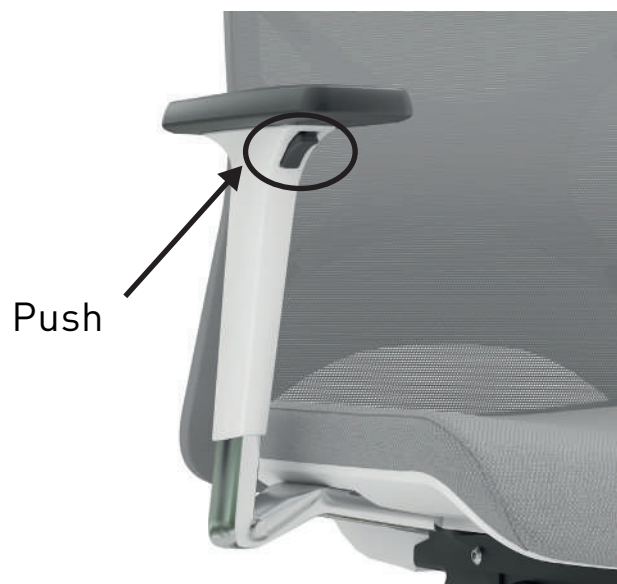
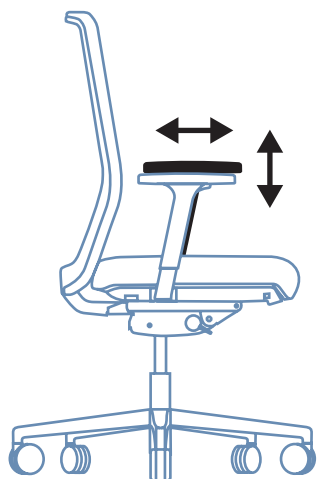
Depth adjustable seat (optional)



Headrest with height and 30° angle adjustment (optional)



2D (two directions) adjustable armrests



3D (three directions) adjustable armrests

