

CABLE MANAGEMENT GUIDELINES

! All electrical installations should be done by a qualified person in accordance with local regulation.

LIST OF ELECTRICAL ITEMS

	Description	Code
--	-------------	------

1 Infeed cable*



New York multi-circuit infeed cable

ZUS010



Multi-circuit infeed cable

ZUS011

*One infeed cable for one benching cluster.

2 Connection cable between cable trays (for clusters)



For L=47,2" desks (cable L=47")

ZUS012

For L=55,1" desks (cable L=55")

ZUS013

For L=62,9" desks (cable L=63")

ZUS014

For L=70,8" desks (cable L=71")

ZUS015

3 Single side cable tray with single sided duplex block (4 power sockets) and data* knockouts



For L=47,2" desk

ZUS001

For L=55,1" desk

ZUS002

For L=62,9" desk

ZUS003

For L=70,8" desk

ZUS004

*Data jacks have to be ordered separately. Maximum quantity is 4 pcs. (on the one side).

4 Central cable tray with double sided duplex block (8 power sockets) and data* knockouts



For L=47,2" desk

ZUS005

For L=55,1" desk

ZUS006

For L=62,9" desk

ZUS007

For L=70,8" desk

ZUS008

*Data jacks have to be ordered separately. Maximum quantity is 4 pcs. (on the one side).

5 Data jack



RJ45 data jack for cable tray (1 pc.)

ZUS009

Optional

ECA Seclusion

- 2 power sockets and USB type-A+C sockets



Top mount



Undermount

OE Phase

- 1 power socket and USB type-A+C socket



Top mount



Undermount

OE Power unit



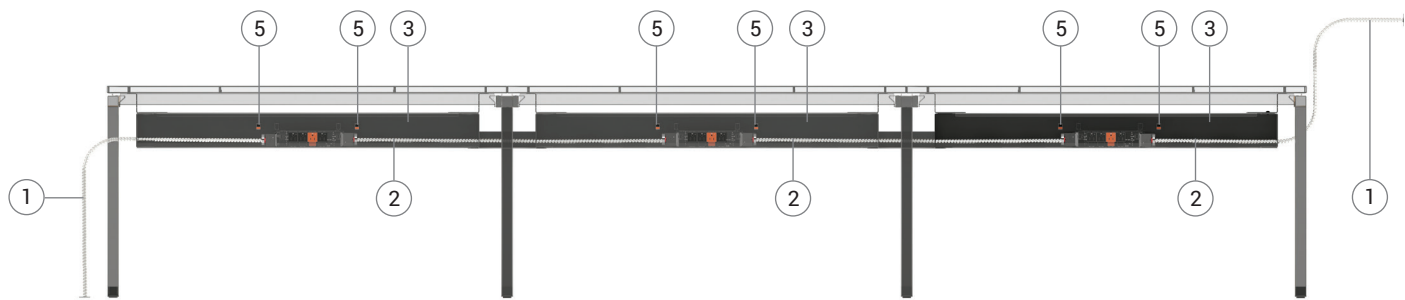
Power block with 3 power sockets, 1 USB type-A+C socket



Power block with 3 power sockets, 2 LAN

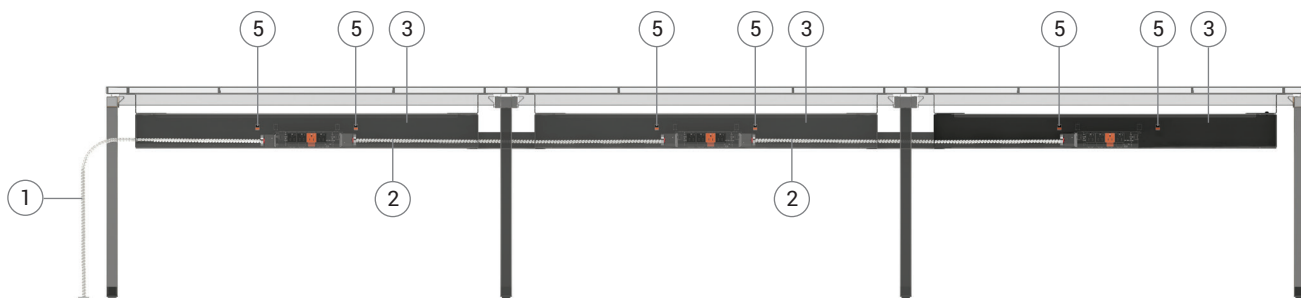
NOVA U, U SLIDE, A, O SINGLE / SINGLE ROW BENCH DESKS

2 possible ways of bringing infeed cable to the desk



Electricity connection components for all 2 ways (A, B) are the same.





ORDERING EXAMPLE



Workplace: Single row 2-desk bench with 70,8" length desktops (1 pc.), Supplementary unit with 70,8" length desktop (1 pc.).

Electricity need: New York infeed; 2 pcs. of RJ45 data jack per person.

Pricelist item's selection

	Description	Code	Quantity
① 	New York multi-circuit infeed cable	ZUS010	1 pc.
② 	Cable L=71"	ZUS015	2 pcs.
③ 	Single side cable tray for L=70,8" desk	ZUS004	3 pcs.
⑤ 	RJ45 data jack for cable tray	ZUS009	6 pcs.