

NOVA Wood meeting and coffee tables



FEATURES

- Easy to assemble and disassemble - "metal to metal" construction
- Just one tool for assembling (DIN911 S5)
- Bolted connections (without screws)

QUALITY STANDARD

- LST EN 527-1:2011
- LST EN 527-2:2003
- All desks meet the requirements of the LST EN 527-3:2003 standard

TECHNICAL INFORMATION

Tabletop

- 25 mm MFC (melamine) with 2 mm ABS edging;
- 26 mm MDF covered in HPL with sloping painted edges;
- Sloping painted edges: white or black colour;
- The corners of sloping desktop are rounded: R100 mm;
- 10 mm gap between the legs and the desktop.

Metal beam

- Metal tube - 40x20 mm;
- With welded metal plates for leg fixing;
- Powder coated metal.

Legs (meeting tables)

- Lacquered and stained natural ash solid wood;
- Glued wood construction;
- With metal inserts for fixing;
- Plastic feet with height levelling (+10 mm).

Central leg (solid wood leg fixed into metal tube)

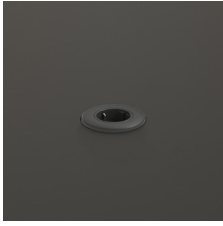
- Lacquered and stained natural ash solid wood;
- Glued wood construction;
- With metal inserts for fixing;
- Plastic feet with height levelling (+10 mm);
- Metal tube: 120x40 mm, powder coated metal.

Legs (coffee tables)

- Lacquered and stained natural ash solid wood;
- Glued wood construction;
- Powder coated metal;
- Plastic feet with height levelling (+10 mm).



Electrical and cable management



With power sockets



With insert and power sockets
With insert and



grommets for wire management

Edge type



ABS edge (melamine)



Sloping edge (HPL)

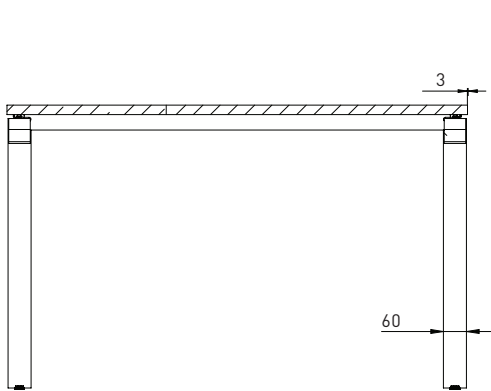


Table with melamine tabletop

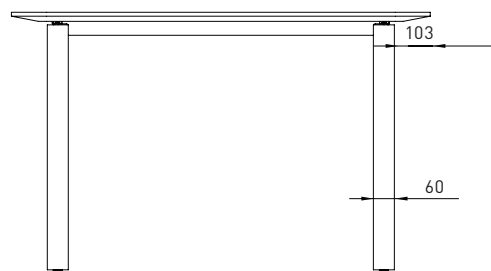


Table with HPL tabletop

Inserts

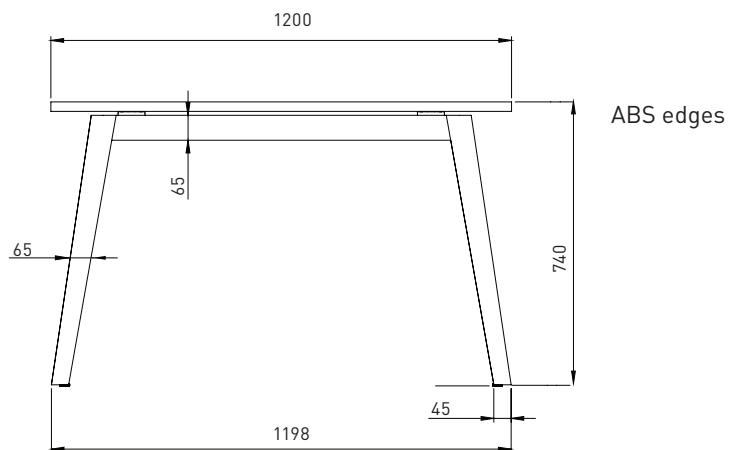
- Lacquered and stained;
- 25 mm chipboard covered in ash wood veneer with 1.5mm edging (for plain edges desktops);
- 26mm MDF covered in ash wood veneer with 1.5mm edging (for sloping edges desktops).

Grommets

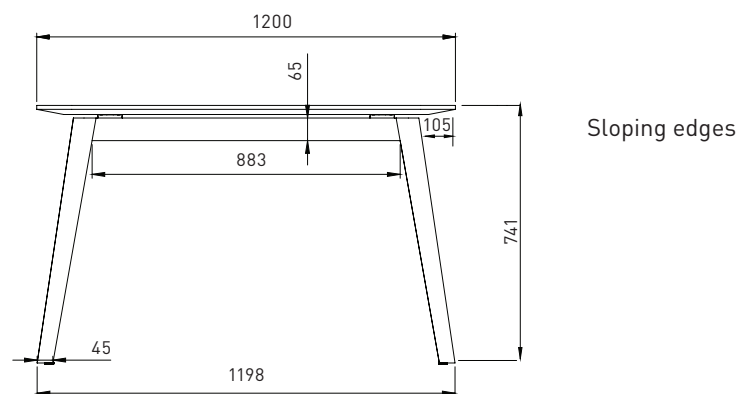
- Lacquered and stained;
- 9mm MDF covered in ash wood veneer with painted edges.

Cable tray (included)

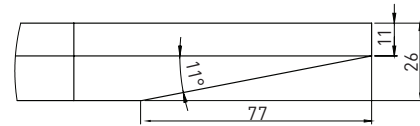
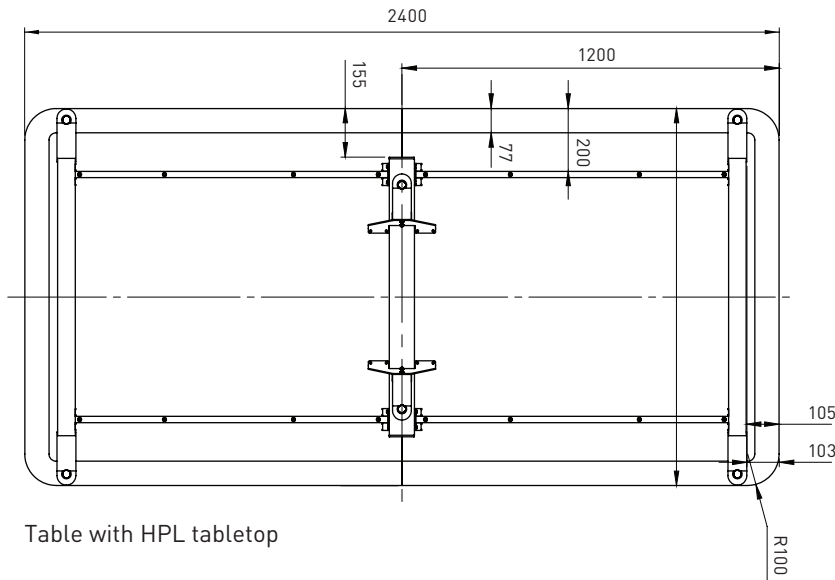
- Dimensions: 500x100, H=110mm;
- Matches the colour of frame.



ABS edges



Sloping edges



Sloping edge

Table with HPL tabletop

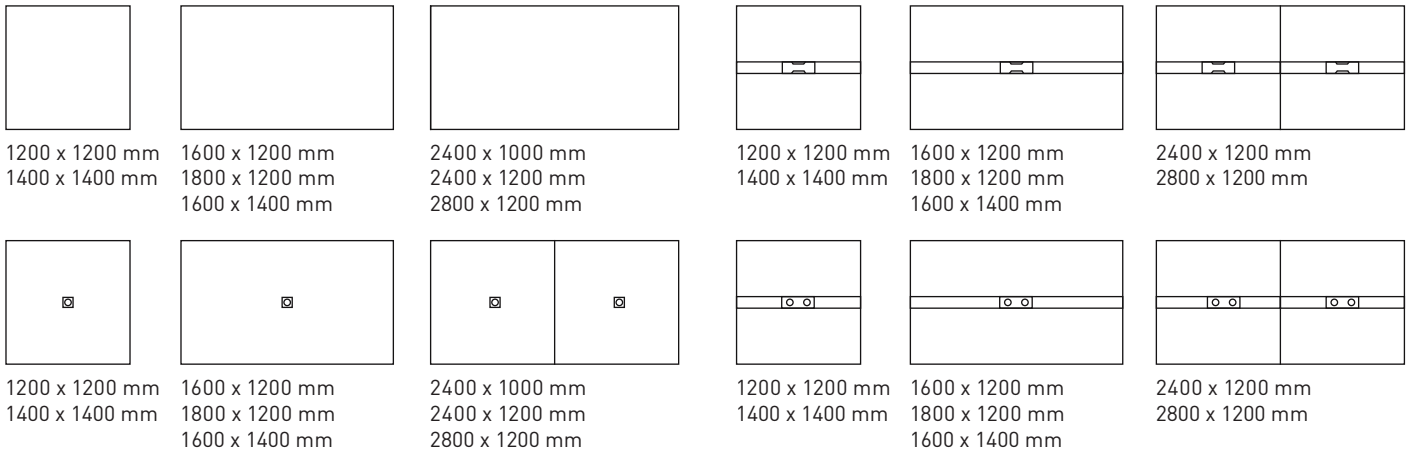
MATERIALS

- Melamine: M1 (white), M1D2 (white with amber oak edges), N (grey);
- HPL: H70B02 (white with white painted edges), H70B01 (white with black painted edges);
- HPL Fenix: H16B01 (black with black painted edges), H17B03 (grey with grey painted edges);
- Metal: E (white), A (black), M (metallic), T1 (dark grey);
- Solid wood: W2 (ash stained light grey), W3 (ash stained black).

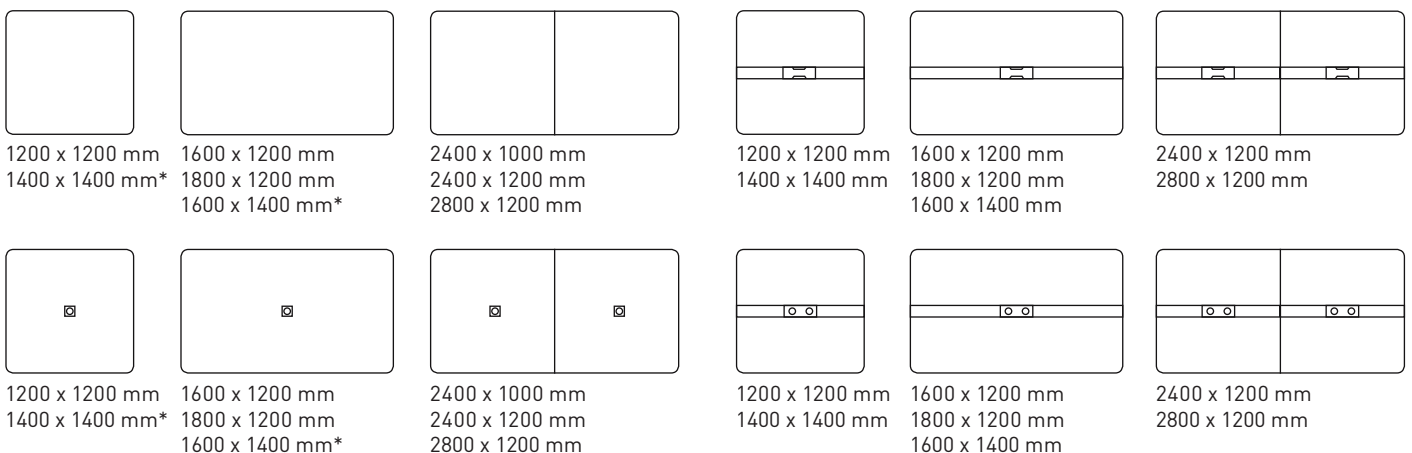
GUARANTEE

- 5 years

RANGE

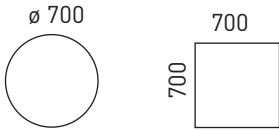


Meeting tables with melamine tabletop

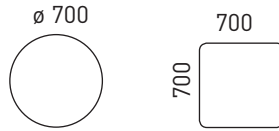


Meeting tables with HPL tabletop

*Not available in HPL: H70B01 and H70B03



Coffee tables with melamine tabletop



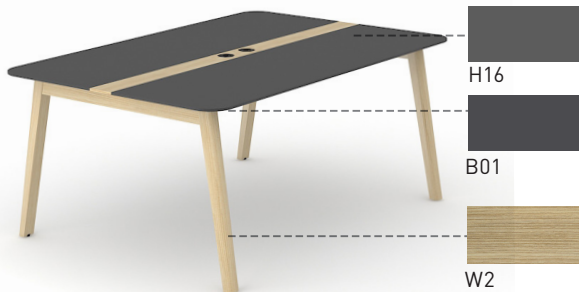
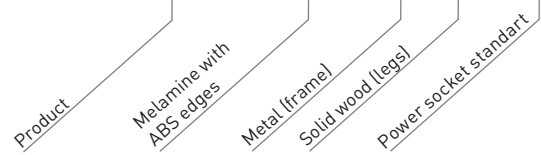
Coffee tables with HPL tabletop

ORDERING EXAMPLE

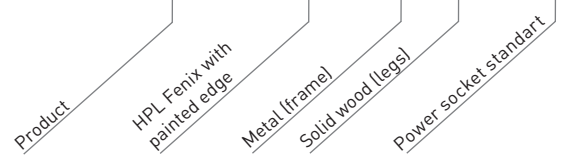
Code structure



CNM187 - M1D2 E W2 - EU



CNM188 - H16B01 A W2 - EU



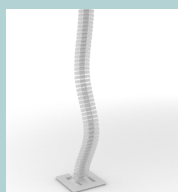
Optional



Power socket blocks



Cable clips



Cable ducts



Vertical metal cable tray (suitable only for central wood leg)