

# TWIST&SIT chair family

Design by Christina Strand and Niels Hvass | Denmark



## QUALITY STANDARD

- LST EN 16139:2013
- LST EN 16139:2013/AC:2013

## GUARANTEE

- 5 years

## TECHNICAL INFORMATION

### Types

- Visitor & conference, high, lounge chairs and armchairs.

### Seat and back

- Steel frame molded with polyurethane;
- Upholstered with fabric or leather look.

### Armrests

- In one body with the backrest for visitor & conference chairs;
- Steel frame molded with polyurethane;
- Upholstered with same fabric or leather look as the backrest and seat.

### Mechanism

- Fixed mechanism;
- Height adjustment with side lever;
- Polished or finished in black colour.

### Gas lift

- Chromed or black colour;
- 130 mm run range.

### Castors

- Rubber free wheel castors for hard floor, Ø65 mm;
- PA (polyamide) free wheel castors for soft floor, Ø65 mm.

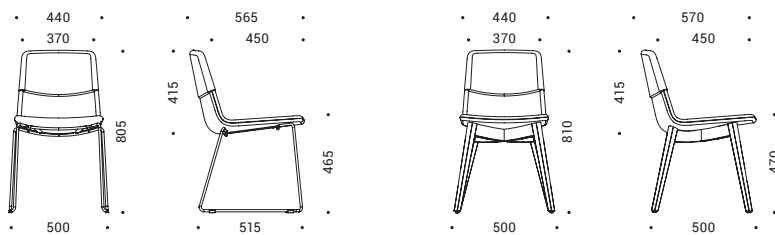
## Bases

- Powder coated steel frame, Ø11 mm rod, plastic glides in black with or without felt for hard and soft floor (except lounge chairs);
- Wooden legs, lacquered natural or lacquered and stained black ash solid wood, glued and fixed with metal fittings, felt or plastic pads for hard and soft floor, metal foot frame for high chairs;
- Four-star base, polished or black painted aluminium, external Ø780 mm for armchairs and Ø880 mm for lounge chairs;
- Five-star base, polished or black painted aluminium or black plastic with fiberglass, external Ø735 mm for visitor & conference chairs.

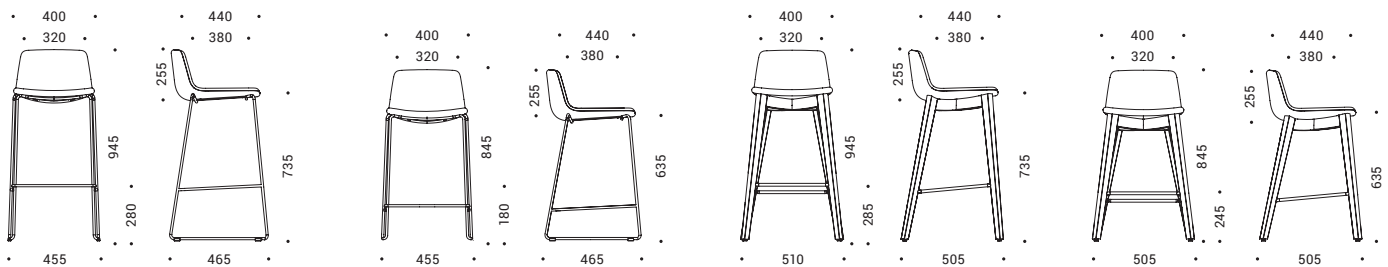
## RANGE

### Chairs

#### Visitor & conference

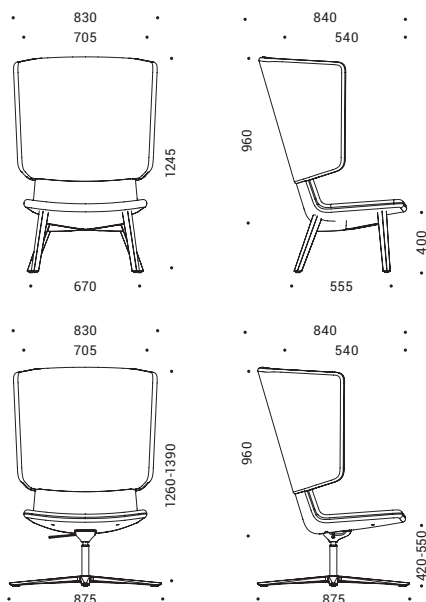


#### High



### Lounge & soft furniture

#### Lounge chairs



#### Armchairs

